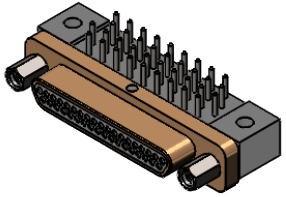
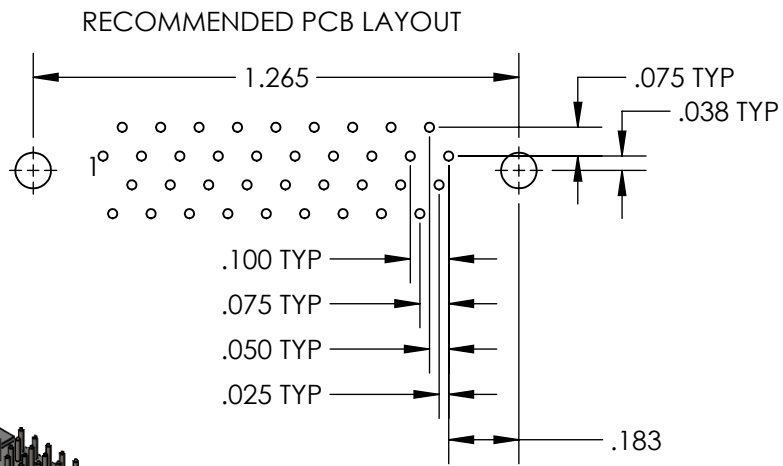
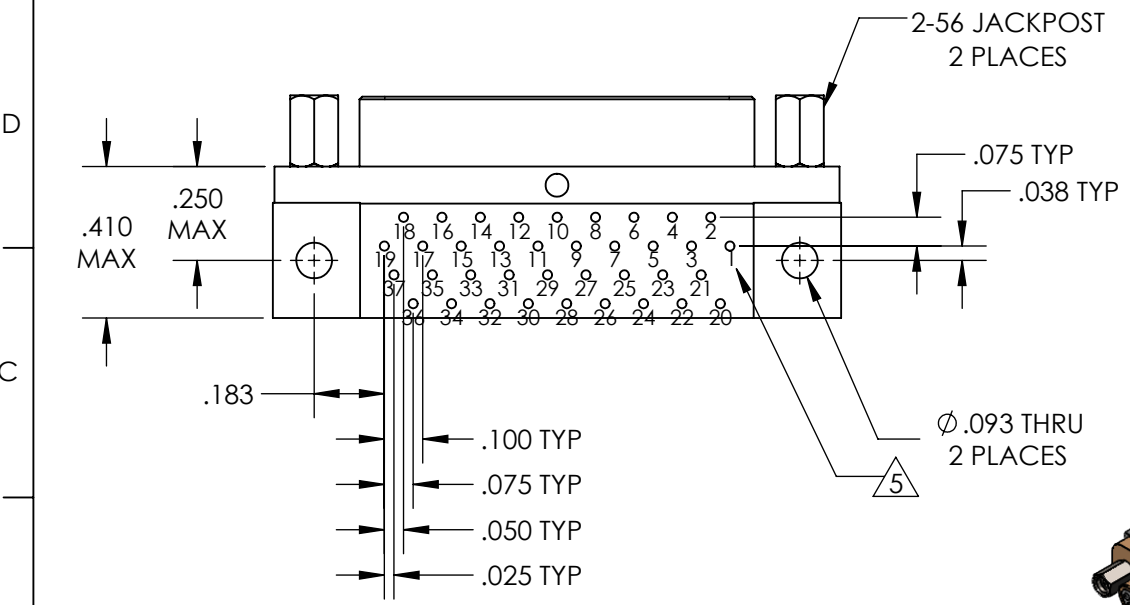
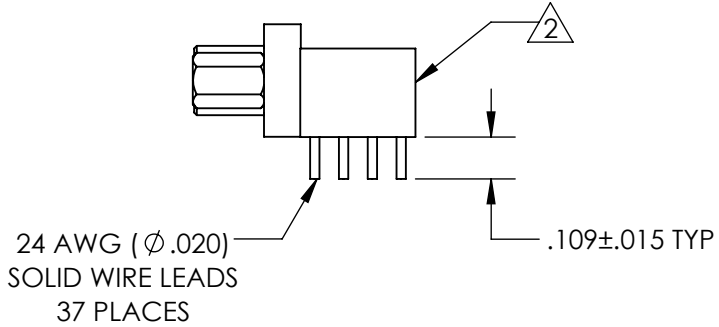
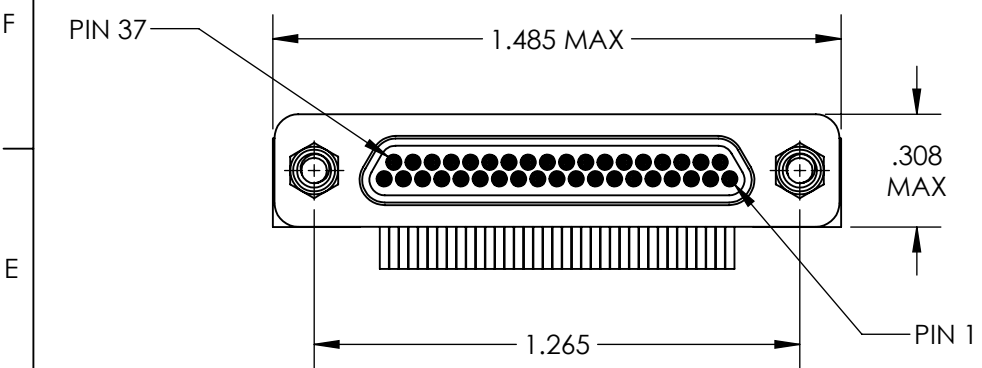


REVISIONS					
DWG. ISSUE	PART REV.	DATE	ECN NO.	APVD. BY	REL. BY
-	-	10/17/2012	UMI4759	DW	DW
A	-	06/19/2013	UMI5000	DW	DW
B	A	2/18/2020	UMI7396	JA	DW



5 NUMBERS ARE SHOWN FOR REFERENCE ONLY AND DO NOT APPEAR ON PART

4. PERFORMANCE SPECIFICATIONS:
 CURRENT RATING: 3A MAX.
 INSULATION RESISTANCE: 5000 MΩ MIN.
 DWV: 600 VAC
 TEMPERATURE RATING: 125°C
 CONTACT RESISTANCE: 8 mΩ MAX AT 2.5 AMPS

3 MATERIALS:
 SHELL: 6061-T6 ALUMINUM PER AMS-QQ-A200/8,
 CADMIUM PLATED PER AMS-QQ-P-416
 INSULATOR AND BACKSHELL: PPS PER MIL-M-24519 GST-40F. COLOR: BLK
 SOCKET CONTACTS: C21000 BRASS ALLOY PER ASTM B36,
 GOLD PLATED PER ASTM B488
 24 AWG LEADS: TIN PLATED COPPER ALLOY PER A-A-59551 TYPE S
 INTERFACIAL SEAL: FLUOROSILICONE PER MIL-R-25988

2 MARKING: "UMI, DATE CODE, UMI PART NUMBER"
 1. CONNECTOR ASSEMBLY IS IAW MIL-DTL-83513 UNLESS OTHERWISE SPECIFIED

NOTES: UNLESS OTHERWISE SPECIFIED

QUALITY SYMBOLS CRITICAL MAJOR NO SYMBOL - MINOR DIMENSION	UNLESS SPECIFIED: ALL DIMENSIONS IN INCHES	SCALE: 3:1	DWG SIZE: A	THIRD ANGLE PROJECTION	REVISE ON CAD ONLY
	GENERAL TOLERANCES: 3 PLACE ±.002 2 PLACE ±.005 ANGULAR ±2°	DRAWN BY & DATE J.BUZOIANU 10/17/2012 CHECKED BY & DATE DW 10/17/2012	TITLE MICRO-D CONNECTOR, CIRCUIT SERIES STYLE 8, SIZE 37 CM8R37P07		MATERIAL
	Uti-Mate CAGE CODE 58967	APPROVED BY & DATE DW 10/17/2012	CAD FILENAME SD-836160817.slddrw	PART NO. 836160817	
			DRAWING NO. SD-836160817	SHEET NO. 1 OF 1	PART REV. A

THIS DRAWING CONTAINS INFORMATION THAT IS PROPRIETARY TO ULTI-MATE INCORPORATED AND SHOULD NOT BE USED WITHOUT WRITTEN PERMISSION.