

10

9

8

7

6

5

4

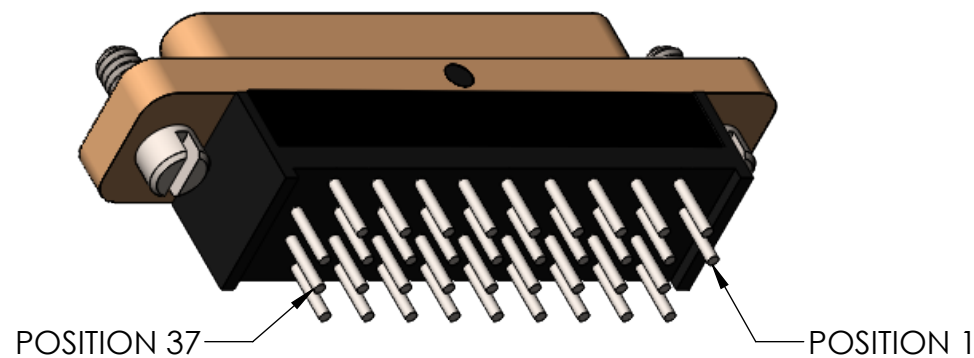
3

2

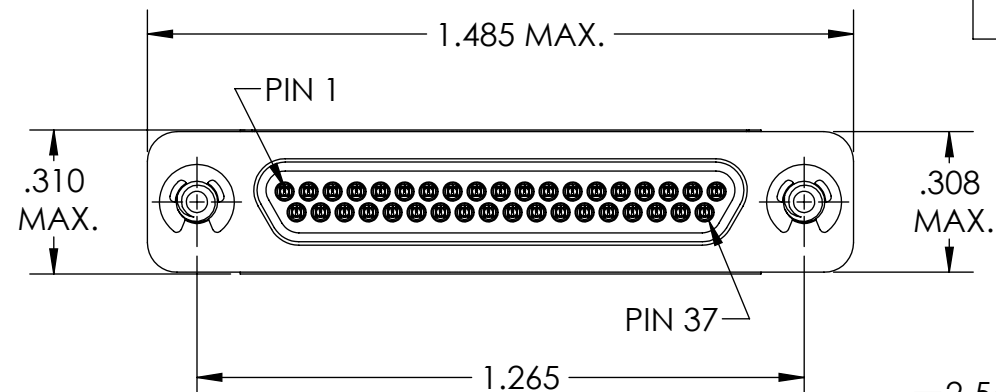
SD-836160715

PART REV	DWG ISSUE	DATE	ECN NO.	APPVD BY	REL BY
-	-	4/29/19	UMI7133	DU	DW

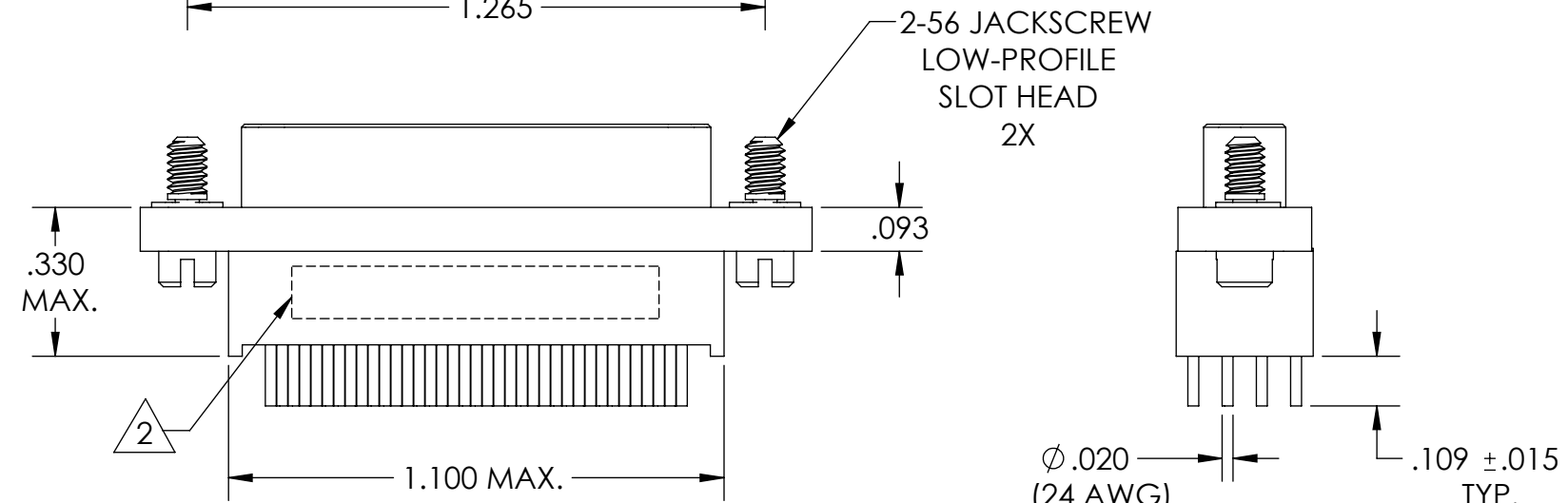
F



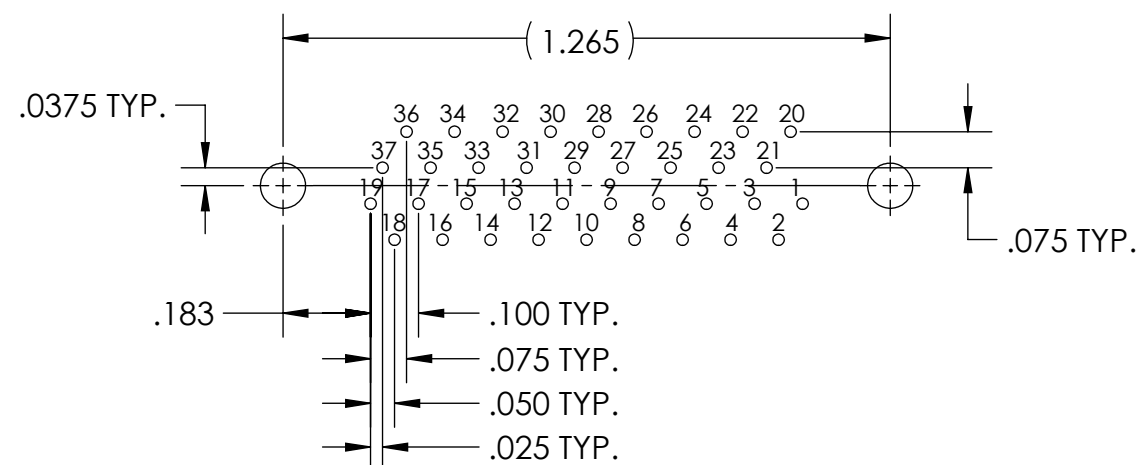
PCB VIEW



E

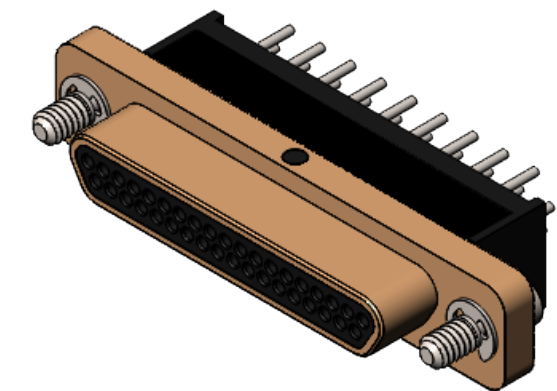
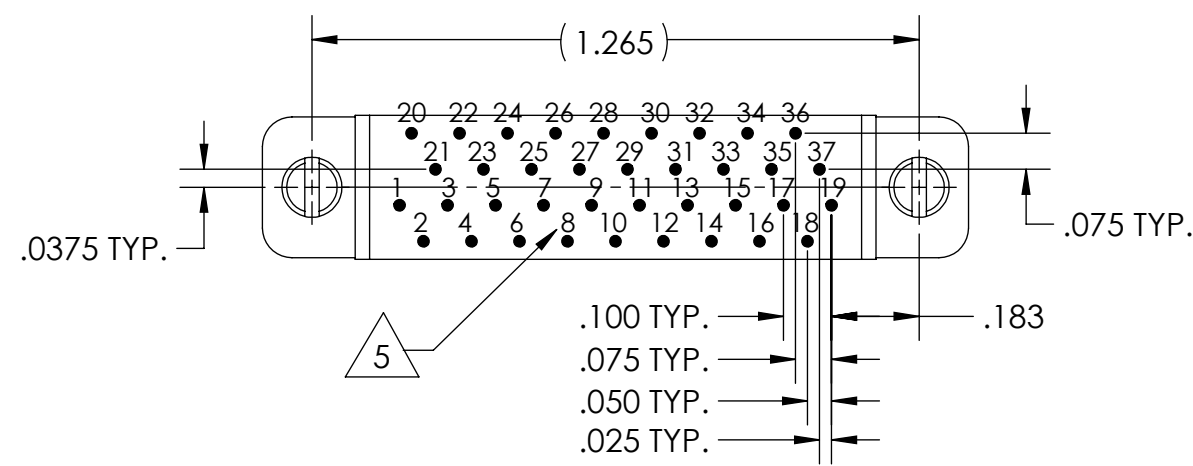


D



RECOMMENDED PCB LAYOUT

C



B

6. CONTACT HEIGHTS ARE TO BE PER QA-STD-101.

5 NUMBERS, (LEAD LOCATIONS), ARE SHOWN FOR REFERENCE ONLY AND DO NOT APPEAR ON ACTUAL PART.

4. PERFORMANCE SPECIFICATIONS:  
CURRENT RATING: 3 AMP MAX.  
DWV: 600 VAC  
TEMPERATURE RATING: -55°C TO 125°C

3 MATERIALS:  
SHELL: 6061-T6 ALUMINUM PER AMS-QQ-A200/8, CADMIUM PLATED PER AMS-QQ-P-416  
INSULATOR/BACKSHELL: PPS PER MIL-M-24519 GST-40F, COLOR: BLACK  
PIN CONTACTS: C17200 BERYLLIUM COPPER PER ASTM B194, GOLD PLATED PER ASTM B488  
24 AWG LEADS: TIN PLATED COPPER ALLOY PER A-A-59551, TYPE S  
HARDWARE: PASSIVATED STAINLESS STEEL IAW MIL-DTL-83513/5

2 MARKING: "UMI", DATE CODE, UMI PART NUMBER, UMI WORK ORDER NUMBER

1. CONNECTOR ASSEMBLY IS IAW MIL-DTL-83513 UNLESS OTHERWISE SPECIFIED.

NOTES: UNLESS OTHERWISE SPECIFIED.

QUALITY SYMBOLS CRITICAL  MAJOR  NO SYMBOLS = MINOR DIMENSIONS	UNLESS OTHERWISE SPECIFIED: ALL DIMENSIONS ARE IN INCHES	SCALE NONE	DWG SIZE B	THIRD ANGLE PROJECTION 	REVISE ON CAD ONLY
	GENERAL TOLERANCES:  3 PLACES ±.005 2 PLACES ±.01 ANGULAR ±2°	DRAWN BY & DATE DU 4/29/19	TITLE: MICRO-D CIRCUIT CONNECTOR, CM16R37P05, CADMIUM PLATED SHELL		
	ULTI-MATE CAGE CODE 58967	CHECKED BY & DATE DW 4/29/19	MATERIAL: 3	ENG PROJECT #: NONE	
		APPROVED BY & DATE DW 4/29/19	PART NO. 836160715	DRAWING NO. SD-836160715	SHEET NO. 1 of 1
		CAD FILE NAME SD-836160715.sliddrw	THIS DRAWING CONTAINS INFORMATION THAT IS PROPRIETARY TO ULTI-MATE INCORPORATED AND SHOULD NOT BE USED WITHOUT WRITTEN PERMISSION.		