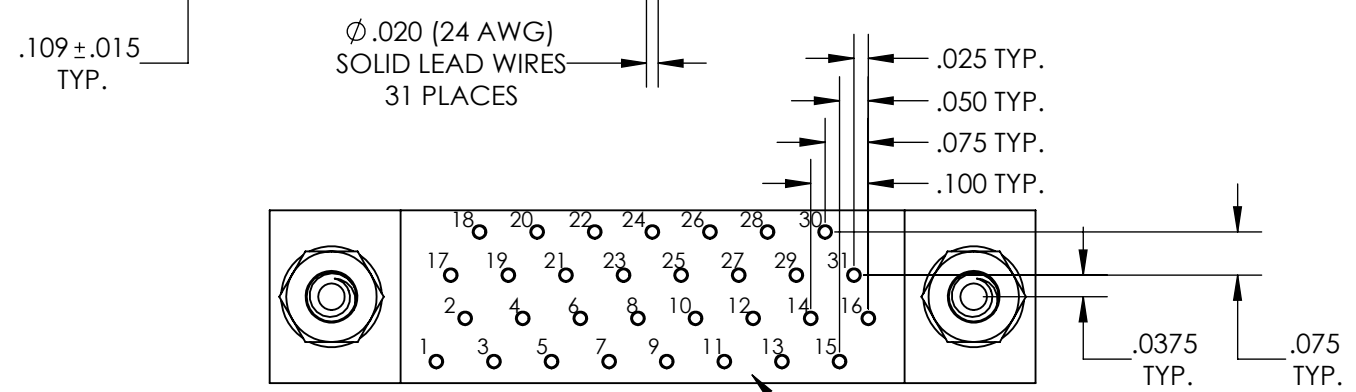
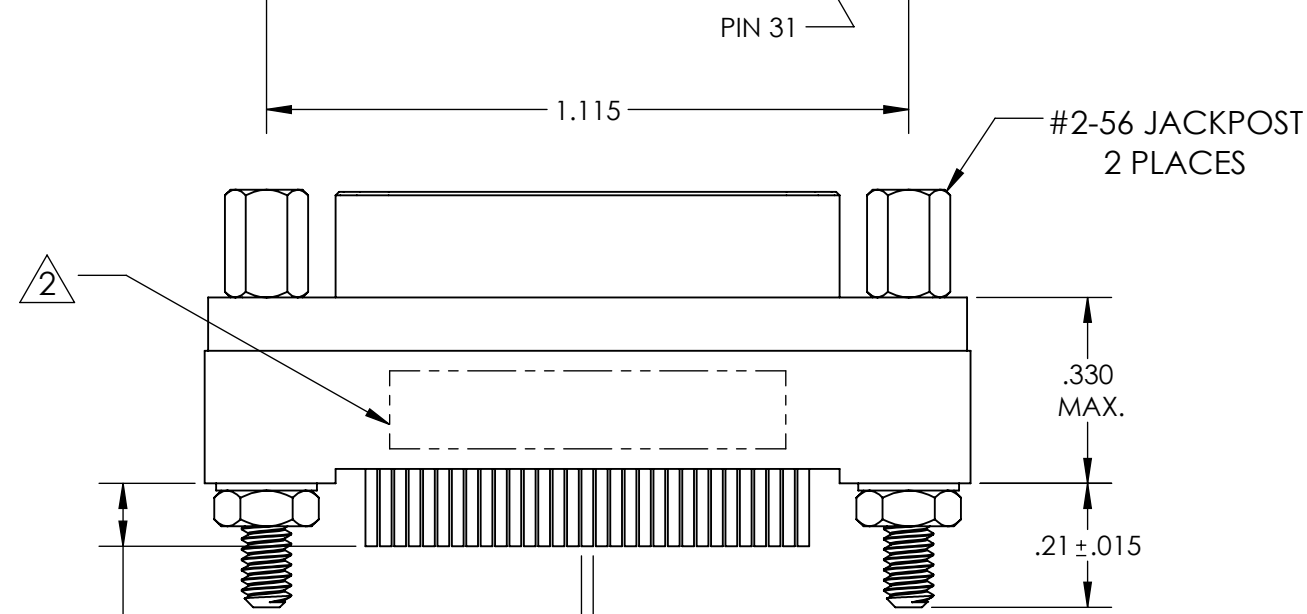
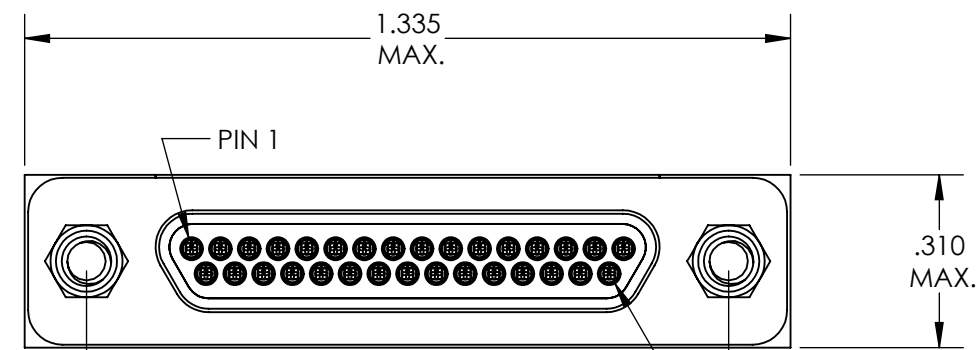
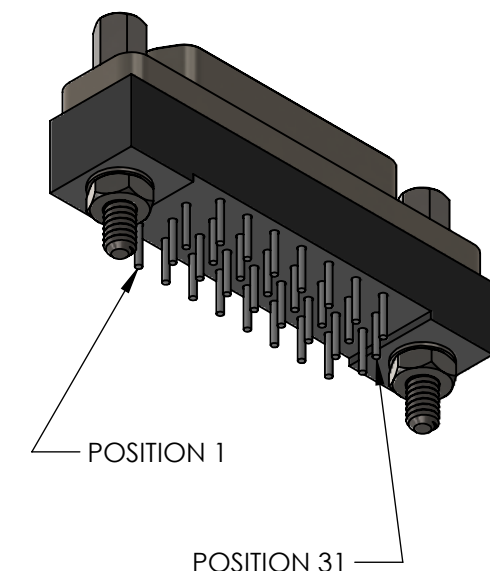
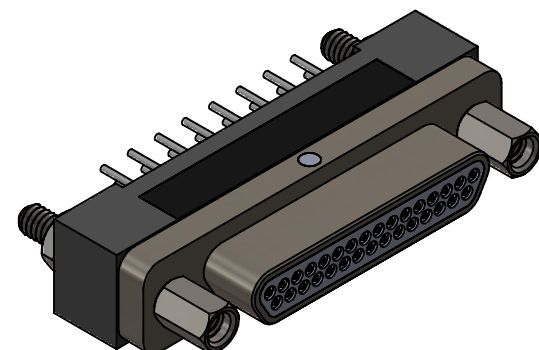
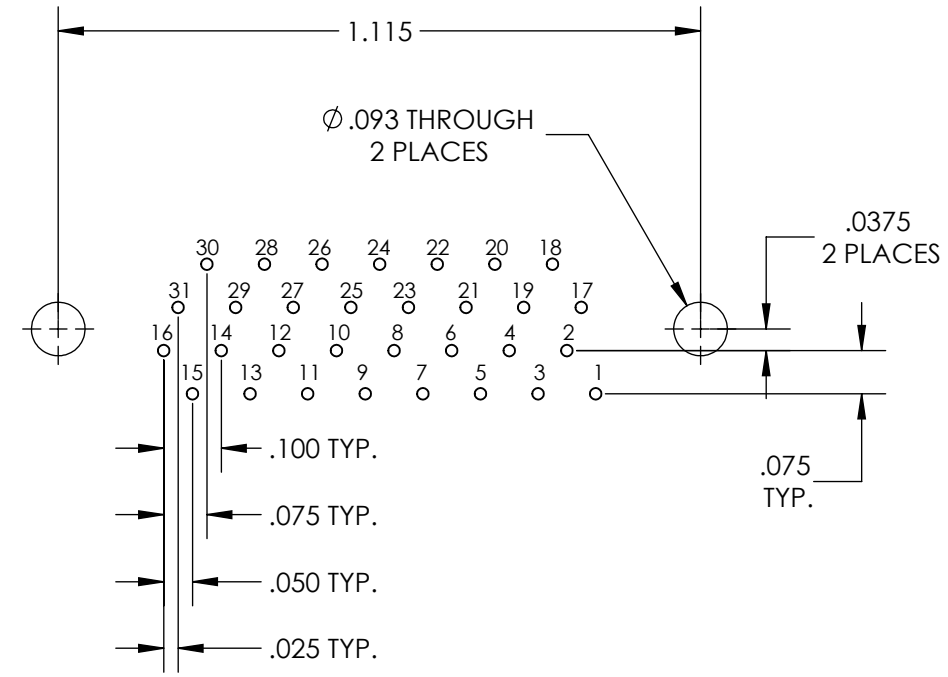


REVISIONS

PART REV.	DWG. ISSUE	DATE	ECN NO.	APPVD. BY	REL. BY
-	-	05/18/2018	UMI6784	DW	DW



RECOMMENDED PCB LAYOUT



5 LEAD LOCATION NUMBERS ARE REF. ONLY AND DO NOT APPEAR ON ACTUAL PART.

4. PERFORMANCE SPECIFICATIONS:
 CURRENT RATING: 3 AMPS MAX.
 INSULATION RESISTANCE: 5000 MEGOHMS MIN.
 DWV: 600 VAC
 TEMPERATURE RATING: 125° C

3 MATERIALS:
 SHELL: 6061-T6 ALUMINUM PER AMS-QQ-A200/8, CADMIUM PLATED PER AMS-QQ-P-416
 INSULATOR & BACKSHELL: PPS PER MIL-M-24519 GST-40F, COLOR: BLACK
 PIN CONTACTS: C17200 BERYLLIUM COPPER PER ASTM B194, GOLD PLATED PER ASTM B488
 24 AWG LEADS: TIN PLATED COPPER ALLOY PER A-A-59551, TYPE S
 HARDWARE: PASSIVATED STAINLESS STEEL IAW MIL-DTL-83513/5

2 MARKING: "UMI", DATE CODE, UMI PART NUMBER, AND UMI WORK ORDER NUMBER

1. CONNECTOR ASSEMBLY IS IAW MIL-DTL-83513 UNLESS OTHERWISE SPECIFIED.
 NOTES: UNLESS OTHERWISE SPECIFIED

5

QUALITY SYMBOLS	UNLESS SPECIFIED: ALL DIMENSIONS IN INCHES
CRITICAL	GENERAL TOLERANCES: 3 PLACE ±.005 2 PLACE ±.01 ANGULAR ±2°
MAJOR	ALL EXTERNAL SPECIFICATIONS REFERENCED ON THIS DRAWING SHALL BE THE LATEST REVISION IN EFFECT
NO SYMBOL = MINOR DIMENSION	Ulti-Mate CAGE CODE 58967

SCALE 3:1	DWG SIZE B	THIRD ANGLE PROJECTION	REVISE ON CAD ONLY
DRAWN BY & DATE DR 05/18/2018	CHECKED BY & DATE DW 05/18/2018	TITLE MICRO-D CIRCUIT CONNECTOR 31 POSITION, STYLE 6, JACKPOSTS CM6R31P07-S01	
APPROVED BY & DATE DW 05/18/2018	CAD FILENAME SD-836151617.SLDDRW	MATERIAL 3	ENG PROJECT # Ulti-Mate Connector Inc.
PART NO. 836151617	DRAWING NO. SD-836151617	SHEET NO. 1 OF 1	PART REV. -
THIS DRAWING CONTAINS INFORMATION THAT IS PROPRIETARY TO ULTI-MATE INCORPORATED AND SHOULD NOT BE USED WITHOUT WRITTEN PERMISSION.			