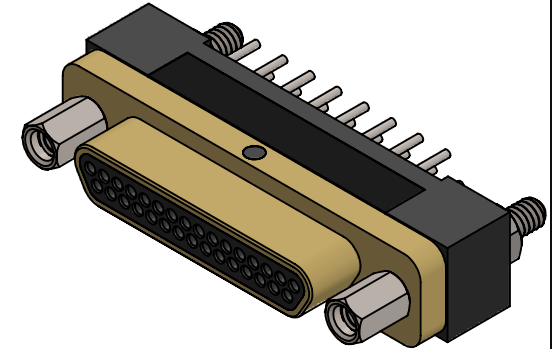
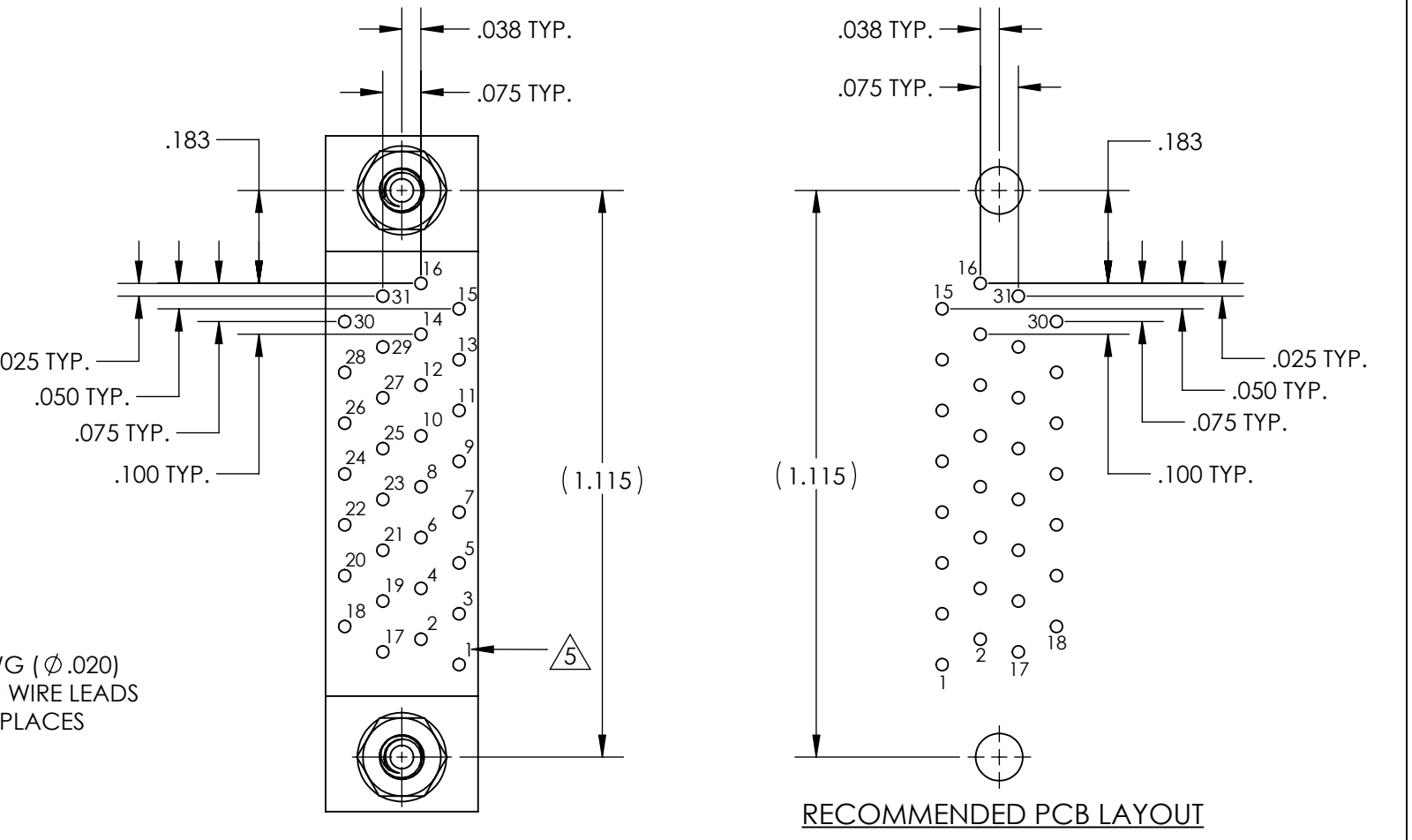
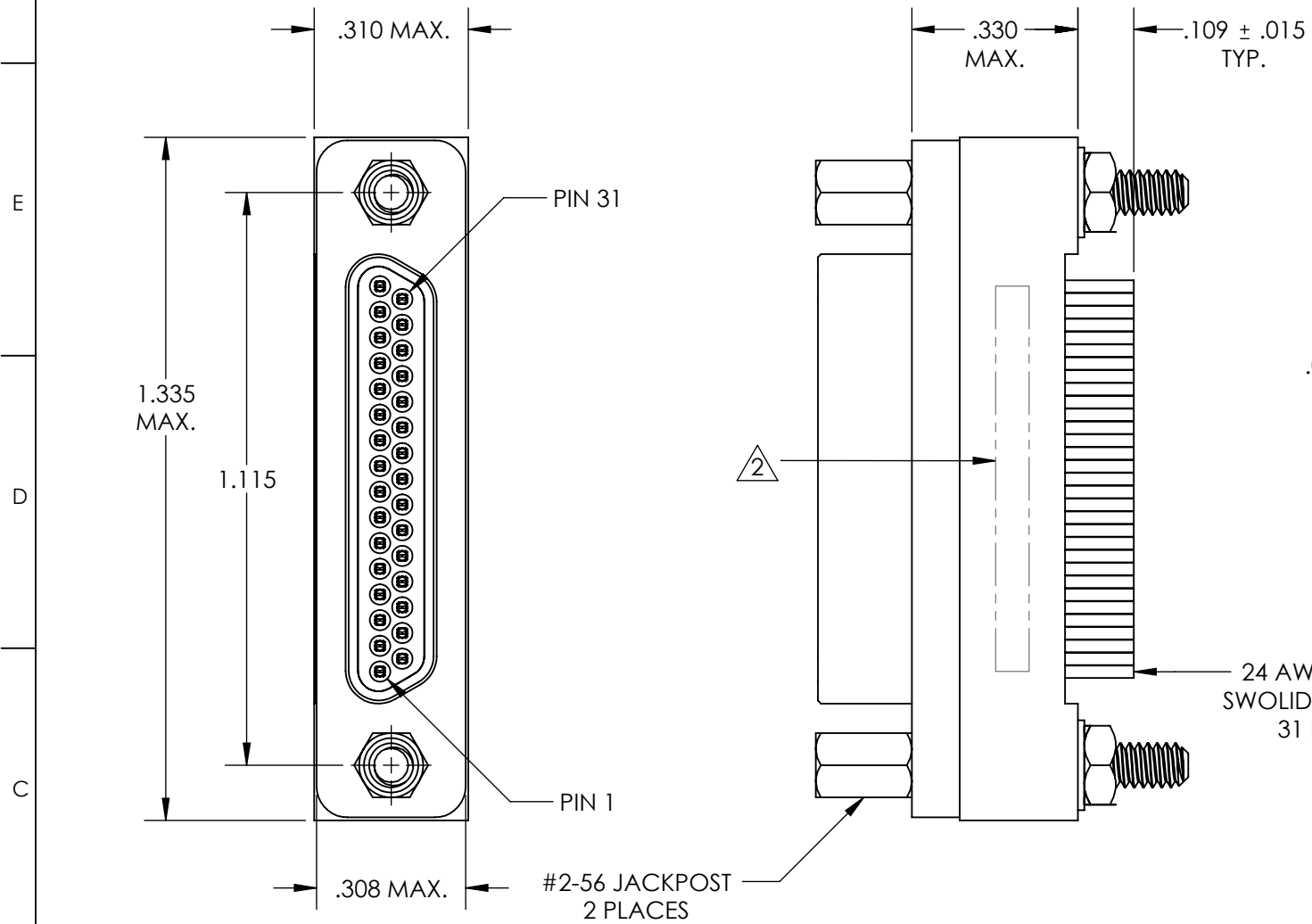


REVISIONS

PART REV.	DWG. ISSUE	DATE	ECN NO.	APPVD. BY	REL. BY
-	-	03/23/2017	UMI6285	DW	DW



5 NUMBERS ARE FOR REFERENCE ONLY AND DO NOT APPEAR ON PART

4. PERFORMANCE SPECIFICATIONS:  
 CURRENT RATING: 3A MAX.  
 INSULATION RESISTANCE: 5000 MΩ MIN.  
 DWV: 600 VAC  
 TEMPERATURE RATING: 125°C

3. MATERIALS:  
 SHELL: 6061-T6 ALUMINUM PER AMS-QQ-A200/8, CADMIUM PLATED PER AMS-QQ-P-416  
 INSULATOR AND BACKSHELL: PPS PER MIL-M-24519 GST-40F, COLOR: BLK  
 PIN CONTACTS: C17200 BERYLLIUM COPPER PER ASTM B194, GOLD PLATED PER ASTM B488  
 24 AWG LEADS: TIN PLATED COPPER ALLOY PER A-A-59551 TYPE S  
 HARDWARE: PASSIVATED STAINLESS STEEL IAW MIL-DTL-83513/5

2. MARKINGS: "UMI", DATE CODE, WORK ORDER NUMBER, AND UMI PART NUMBER

1. CONNECTOR ASSEMBLY IS IAW MIL-DTL-83513 UNLESS OTHERWISE SPECIFIED

NOTES: UNLESS OTHERWISE SPECIFIED

QUALITY SYMBOLS CRITICAL MAJOR NO SYMBOL = MINOR DIMENSION	<b>UNLESS SPECIFIED:</b> ALL DIMENSIONS IN INCHES	SCALE 3:1	DWG SIZE B	THIRD ANGLE PROJECTION	<b>REVISE ON CAD ONLY</b>	
	GENERAL TOLERANCES:	DRAWN BY & DATE JB 03/23/2017		TITLE MICRO-D CIRCUIT CONNECTOR PLUG (PINS), STYLE 6, 31 POSITION CM6R31P07		
	3 PLACE ±.005 2 PLACE ±.01 ANGULAR ±2°	CHECKED BY & DATE DW 03/23/2017		MATERIAL		
	ALL EXTERNAL SPECIFICATIONS REFERENCED ON THIS DRAWING SHALL BE THE LATEST REVISION IN EFFECT	APPROVED BY & DATE DW 03/23/2017		ENG PROJECT #		
	Ulti-Mate CAGE CODE <b>58967</b>	CAD FILENAME SD-836150617.slddrw	PART NO. 836150617	DRAWING NO. SD-836150617	SHEET NO. <b>1 OF 1</b>	
THIS DRAWING CONTAINS INFORMATION THAT IS PROPRIETARY TO ULTI-MATE INCORPORATED AND SHOULD NOT BE USED WITHOUT WRITTEN PERMISSION.						