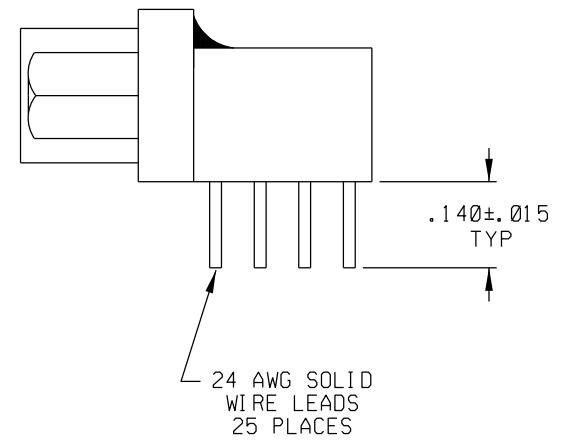
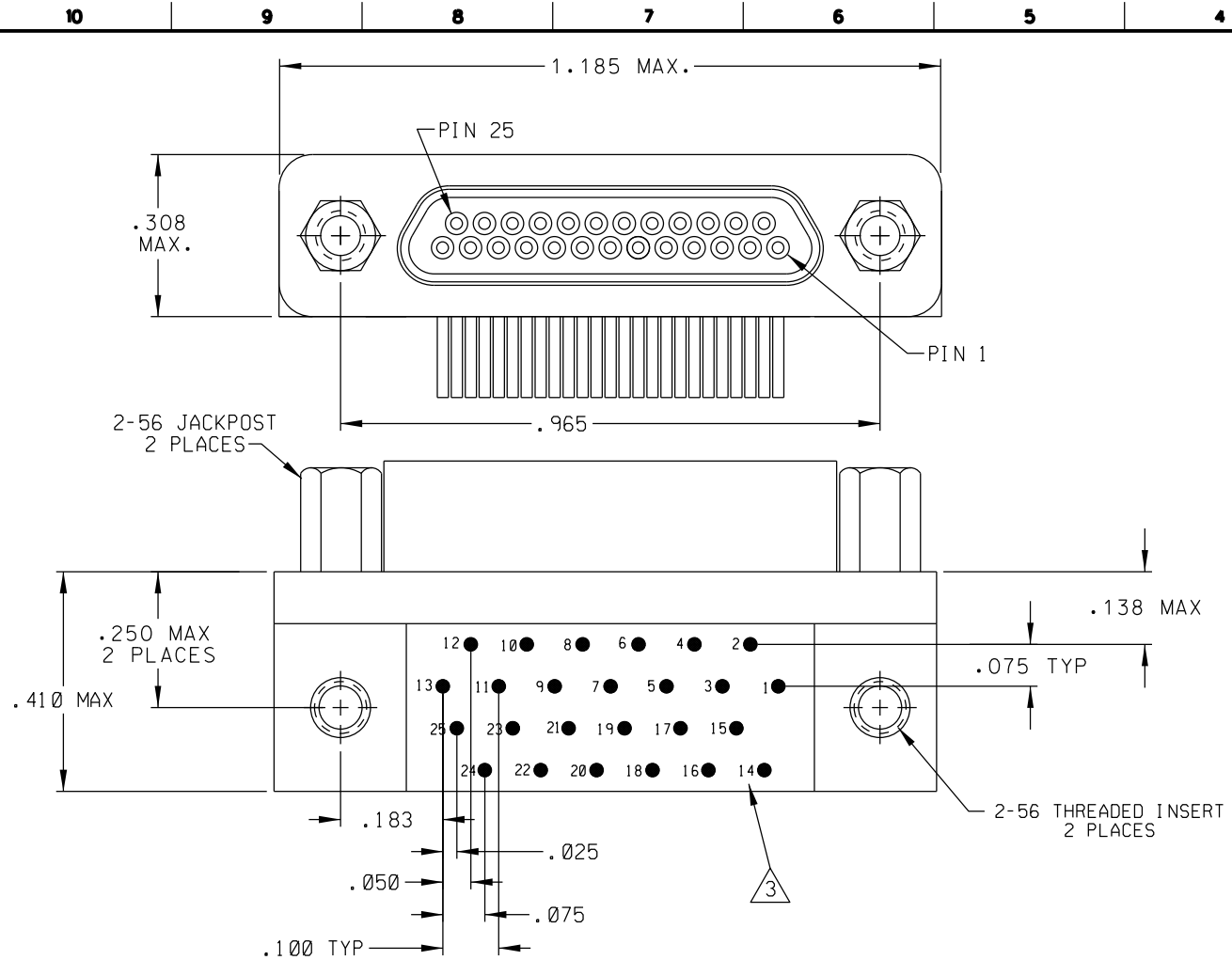


PART REV	DWG ISSUE	DATE	ECN NO.	APPVD BY	REL BY
-	-	10-15-10	UMI 4205	DW	DW



- 3 NUMBERS SHOWN ON BACKSHELL ARE FOR REFERENCE ONLY AND DO NOT APPEAR ON PART.
- 2 MATERIALS:
 SHELL: 6061-T6 ALUMINUM PER AMS-QQ-A200/8 NICKEL PLATED PER AMS 2404
 INSULATOR AND BACKSHELL: PPS PER MIL-M-24519 GST-40F
 PIN CONTACTS: C17200 BERYLLIUM COPPER PER ASTM B194 GOLD PLATED PER ASTM B488-01
 24 AWG SOLID WIRE LEADS: TIN PLATED COPPER ALLOY
 HARDWARE: 300 SERIES STAINLESS STEEL, PASSIVATED PER AMS 2700
1. MARKING: UMI, DATE CODE, UMI P/N.
- NOTES: UNLESS OTHERWISE SPECIFIED.

QUALITY SYMBOLS	UNLESS SPECIFIED: ALL DIMENSIONS IN INCHES	SCALE NONE	DWG SIZE B	THIRD ANGLE PROJECTION	REVISE ON CAD ONLY
CRITICAL	GENERAL TOLERANCES: 3 PLACE ±.005 2 PLACE ±.01 ANGULAR ±2°	DRAWN BY & DATE DW 10-15-10	CHECKED BY & DATE SEE ECN	TITLE: CIRCUIT CONNECTOR, SIZE 25, PIN CONTACTS, STYLE 18 (90°) BACKSHELL, CM8R25P07T-0.140-S01	
SPL/MAJOR	ALL EXTERNAL SPECIFICATIONS REFERENCED ON THIS DRAWING SHALL BE TO THE LATEST REVISION IN EFFECT	APPROVED BY & DATE SEE ECN	CAD FILENAME SD-836141828.DGN	PART NO. 836141828	DRAWING NO. SD-836141828
KEY	Ulti-Mate CAGE CODE 58967	THIS DRAWING CONTAINS INFORMATION THAT IS PROPRIETARY TO ULTI-MATE INCORPORATED AND SHOULD NOT BE USED WITHOUT WRITTEN PERMISSION.			SHEET NO. 1 OF 1
					PART REV -

