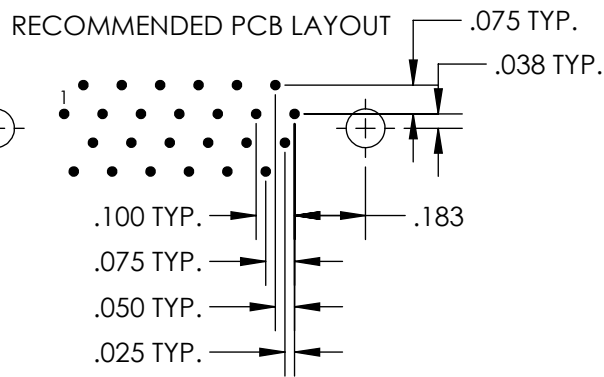
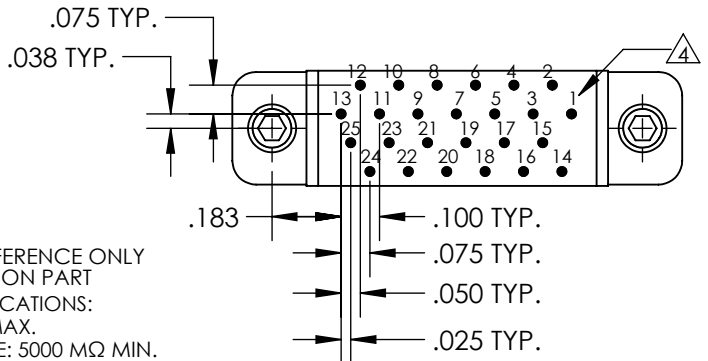
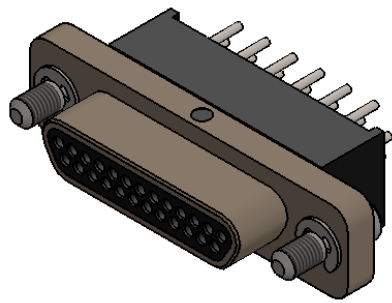
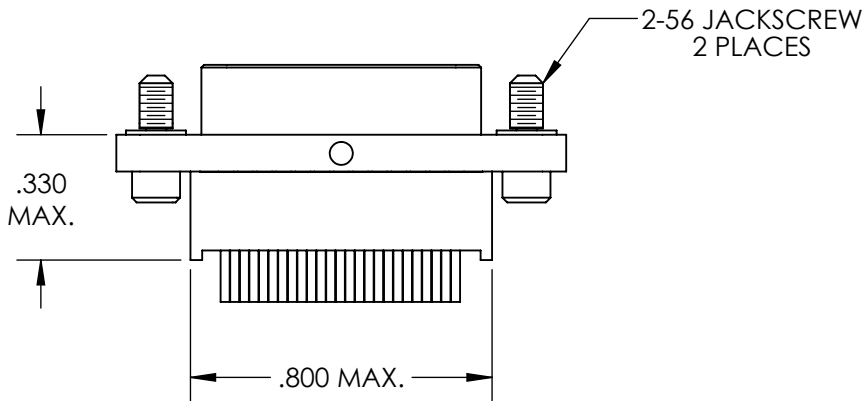
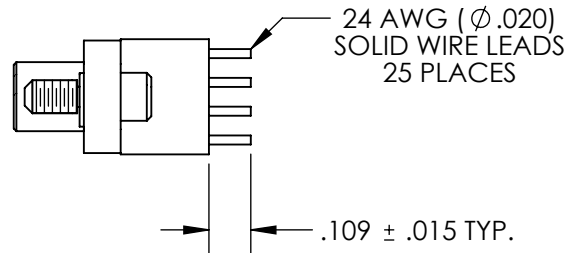
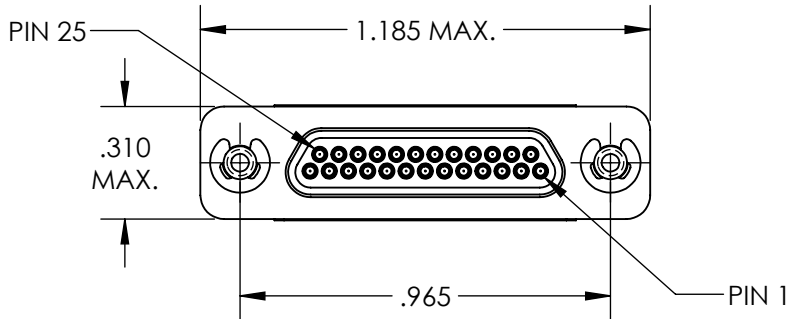


REVISIONS			
DWG. ISSUE	PART REV.	ECN NO.	DATE
-	-	UMI4789	11/12/2012



⚠ NUMBERS ARE FOR REFERENCE ONLY AND DO NOT APPEAR ON PART
 3. PERFORMANCE SPECIFICATIONS:
 CURRENT RATING: 3A MAX.
 INSULATION RESISTANCE: 5000 MΩ MIN.
 DWV: 600 VAC
 TEMPERATURE RATING: 125°C
 CONTACT RESISTANCE: 8 mΩ MAX AT 2.5 AMPS

⚠ MATERIALS:
 SHELL: 6061-T6 ALUMINUM PER AMS-QQ-A200/8, NICKEL PLATED PER AMS 2404
 INSULATOR AND BACKSHELL: PPS PER MIL-M-24519 GST-40F, COLOR: BLK
 PIN CONTACTS: C17200 BERYLLIUM COPPER PER ASTM B194, GOLD PLATED PER ASTM B488
 24 AWG LEADS: TIN PLATED COPPER ALLOY PER A-A-59551 TYPE S
 HARDWARE: PASSIVATED STAINLESS STEEL IAW MIL-DTL-83513/5

1. MARKINGS: UMI, UMI PART NO., AND DATE CODE
 NOTES: UNLESS OTHERWISE SPECIFIED

QUALITY SYMBOLS MAJOR CRITICAL SPC	UNLESS SPECIFIED: ALL DIMENSIONS IN INCHES	SCALE 2:1	DWG SIZE A	THIRD ANGLE PROJECTION	REVISE ON CAD ONLY
	GENERAL TOLERANCES: 3 PLACE ±.005 2 PLACE ±.01 ANGULAR ±2°	DRAWN BY & DATE J.BUZOIANU 11/12/2012	TITLE MICRO-D CONNECTOR, PLUG, STYLE 16, SIZE 25 CM16R25P02-S01		
	Uti-Mate CAGE CODE 58967	CHECKED BY & DATE	MATERIAL	CAD FILENAME SD-836141712.sldrw	
		PART NO. 836141712	DRAWING NO. SD-836141712	SHEET NO. 1 OF 1	PART REV. -
THIS DRAWING CONTAINS INFORMATION THAT IS PROPRIETARY TO ULTI-MATE INCORPORATED AND SHOULD NOT BE USED WITHOUT WRITTEN PERMISSION.					