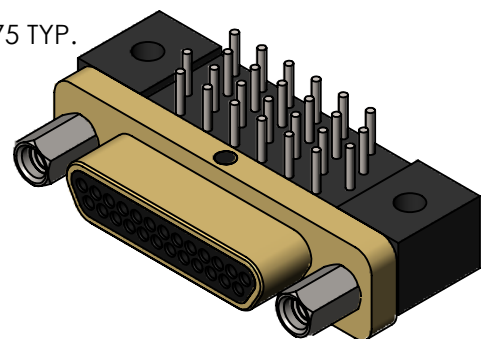
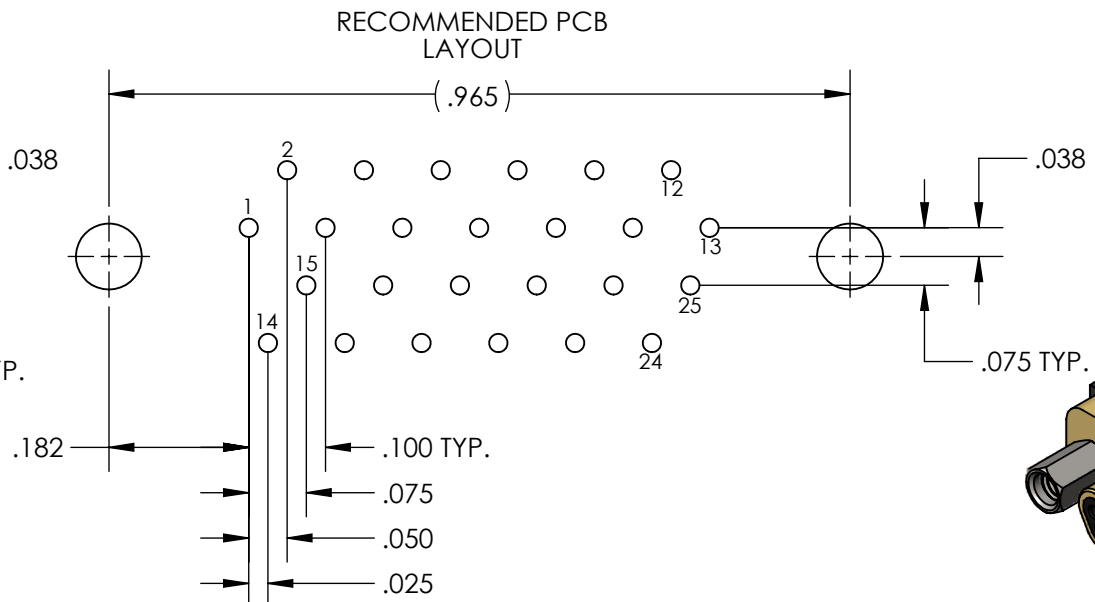
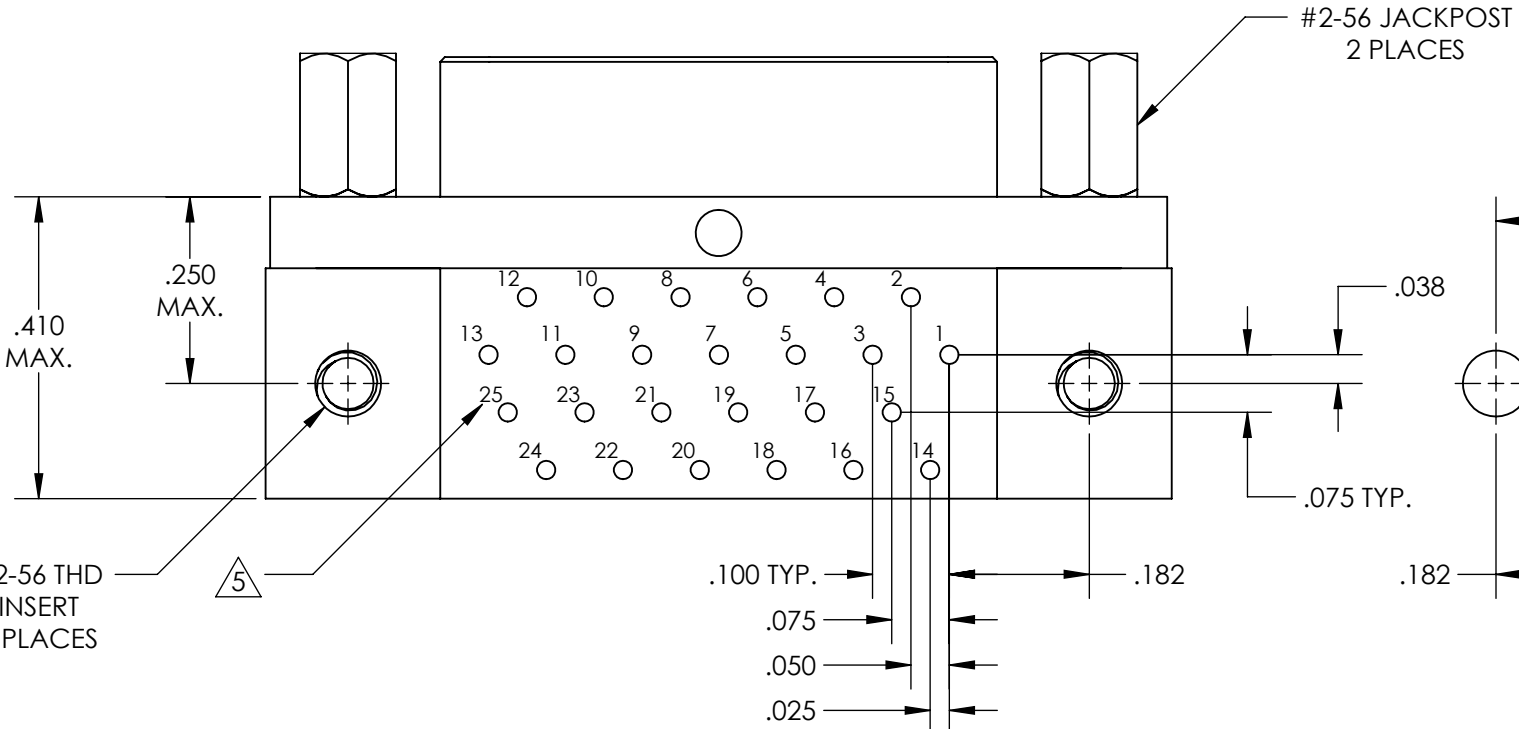
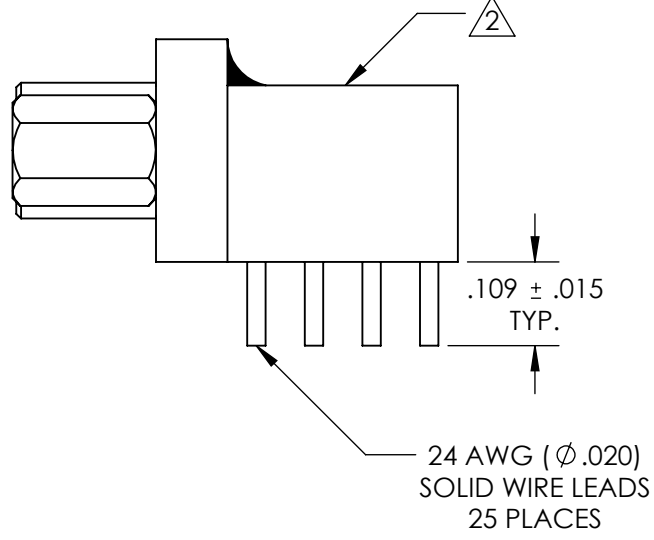
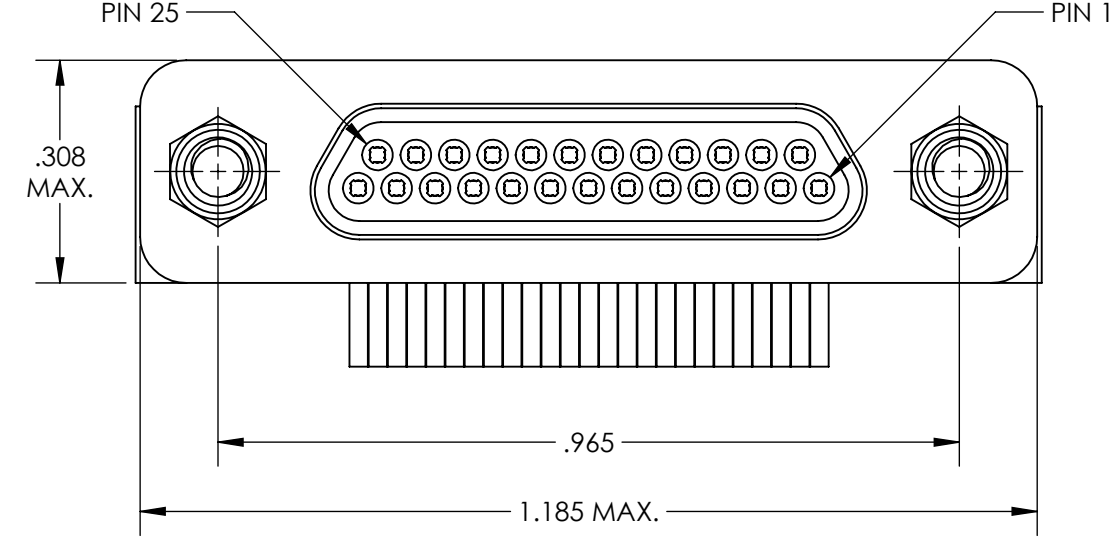


REVISIONS

PART REV.	DWG. ISSUE	DATE	ECN NO.	APPVD. BY	REL. BY
-	-	07/20/2015	UMI5679	DW	DW



- 5 NUMBERS ARE FOR REFERENCE ONLY AND DO NOT APPEAR ON PART
- 4. PERFORMANCE SPECIFICATIONS:  
CURRENT RATING: 3A MAX  
INSULATION RESISTANCE: 5000 MΩ MIN.  
DWV: 600 VAC  
TEMPERATURE RATING: 125°C
- 3 MATERIALS:  
SHELL: 6061-T6 ALUMINUM PER AMS-QQ-A200/8, CADMIUM PLATED PER AMS-QQ-P-416  
INSULATOR AND BACKSHELL: PPS PER MIL-M-24519 GST-40F, COLOR: BLK  
PIN CONTACTS: C17200 BERYLLIUM COPPER PER ASTM B194, GOLD PLATED PER ASTM B488  
24 AWG LEADS: TIN PLATED COPPER ALLOY PER A-A-59551 TYPE S  
HARDWARE: PASSIVATED STAINLESS STEEL IAW MIL-DTL-83513/5
- 2 MARKINGS: UMI, UMI PART NO., AND DATE CODE

1. CONNECTOR ASSEMBLY IS IAW MIL-DTL-83513 UNLESS OTHERWISE SPECIFIED

**NOTES: UNLESS OTHERWISE SPECIFIED**

QUALITY SYMBOLS CRITICAL MAJOR NO SYMBOL = MINOR DIMENSION	<b>UNLESS SPECIFIED:</b> ALL DIMENSIONS IN INCHES GENERAL TOLERANCES: 3 PLACE ±.005 2 PLACE ±.01 ANGULAR ±2° ALL EXTERNAL SPECIFICATIONS REFERENCED ON THIS DRAWING SHALL BE THE LATEST REVISION IN EFFECT Ulti-Mate CAGE CODE <b>58967</b>	SCALE <b>4:1</b> DWG SIZE <b>B</b>	THIRD ANGLE PROJECTION <b>REVISE ON CAD ONLY</b>	
	DRAWN BY & DATE JB 07/20/2015 CHECKED BY & DATE DW 7-21-15 APPROVED BY & DATE DW 7-21-15	TITLE MICRO-D CIRCUIT CONNECTOR, PLUG (PINS), STYLE 8, 25 POSITION CM8R25P07T	MATERIAL ENG PROJECT #	
	CAD FILENAME SD-836140818.slddrw	PART NO. 836140818	DRAWING NO. SD-836140818	SHEET NO. <b>1 OF 1</b>
	THIS DRAWING CONTAINS INFORMATION THAT IS PROPRIETARY TO ULTI-MATE INCORPORATED AND SHOULD NOT BE USED WITHOUT WRITTEN PERMISSION.			PART REV. -