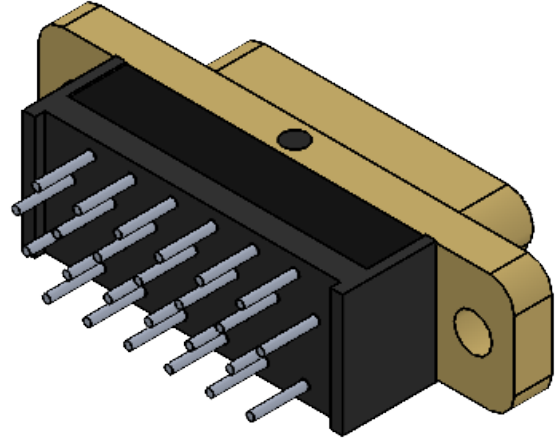
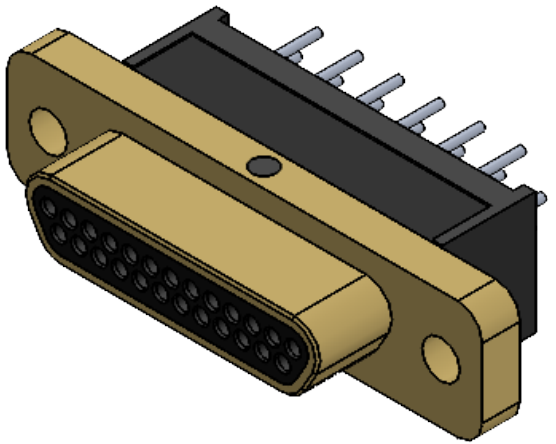
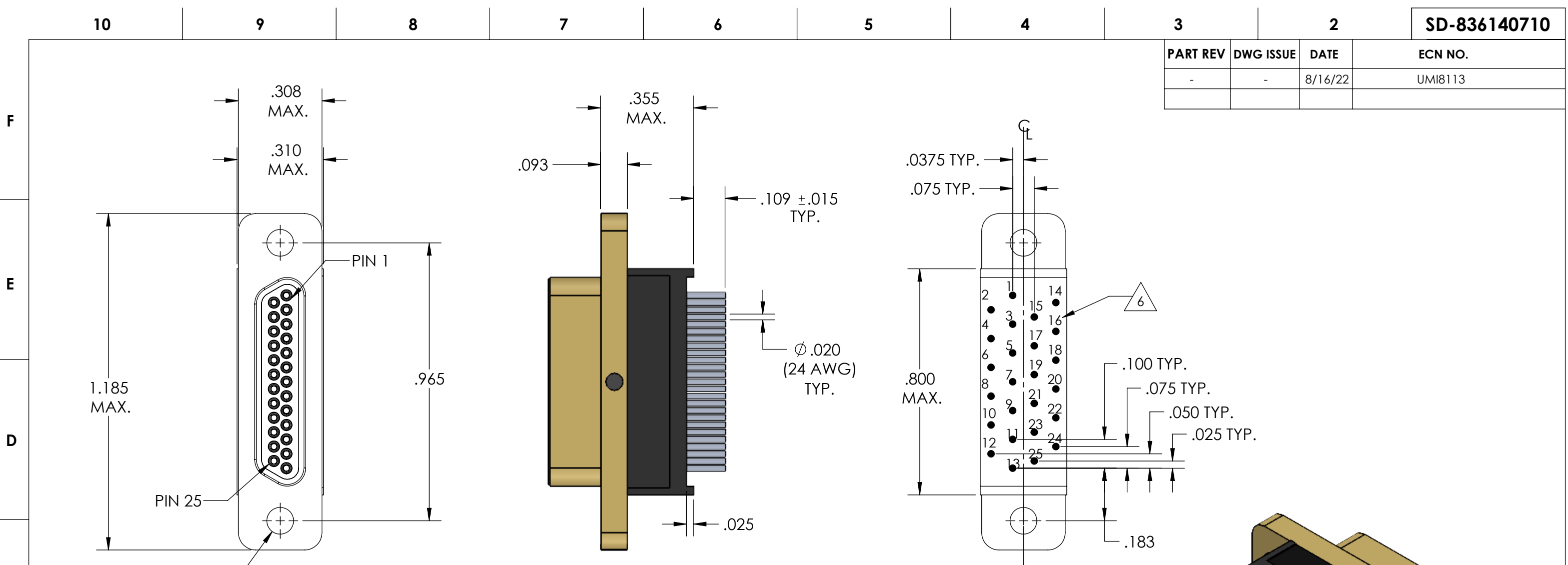


PART REV	DWG ISSUE	DATE	ECN NO.
-	-	8/16/22	UMI8113



6 LEAD LOCATION NUMBERS ARE FOR REFERANCE AND DO NOT APPEAR ON ACTUAL ASSEMBLY.

5. CONTACT HEIGHTS ARE TO BE PER QA-STD-101.

4. PERFORMANCE SPECIFICATIONS:
 CURRENT RATING: 3 AMP MAX.
 DWV: 600 VAC
 TEMPERATURE RATING: -55°C TO 125°C

3 MATERIALS:
 SHELLS: ALUMINUM 6061-T6, CADMIUM PLATED PER AMS-QQ-P-416
 INSULATOR: PPS PER MIL-M-24519 GST-40F OR LCP E1301, COLOR: BLACK
 PIN CONTACTS: C17200 BERYLLIUM COPPER PER ASTM B194, GOLD PLATED PER ASTM B488
 24 AWG LEADS: TIN PLATED COPPER ALLOY PER A-A-59551, TYPE S

2. MARKING: "UMI", DATE CODE, UMI PART NUMBER, UMI WORK ORDER NUMBER

1. CONNECTOR ASSEMBLY IS IAW MIL-DTL-83513 WHERE APPLICABLE.

NOTES: UNLESS OTHERWISE SPECIFIED.

QUALITY SYMBOLS CRITICAL MAJOR NO SYMBOLS = MINOR DIMENSIONS	UNLESS OTHERWISE SPECIFIED: ALL DIMENSIONS ARE IN INCHES	SCALE 3 : 1	DWG SIZE B	THIRD ANGLE PROJECTION	REVISE ON CAD ONLY	
	GENERAL TOLERANCES: 3 PLACES ±.005 2 PLACES ±.01 ANGULAR ±2°	DRAWN BY: D. URBACH	TITLE: MICRO-D CIRCUIT CONNECTOR ASSEMBLY, CM16R25P0, CADMIUM PLATED SHELL			
	ULTI-MATE CAGE CODE 58967	DATE DRAWN: 16 AUG 2022	MATERIAL: 3	ENG PROJECT #: TR1303		
		CAD FILE NAME SD-836140710.sliddrw	PART NO. 836140710	DRAWING NO. SD-836140710	SHEET NO. 1 of 1	
	THIS DRAWING CONTAINS INFORMATION THAT IS PROPRIETARY TO ULTI-MATE INCORPORATED AND SHOULD NOT BE USED WITHOUT WRITTEN PERMISSION.					