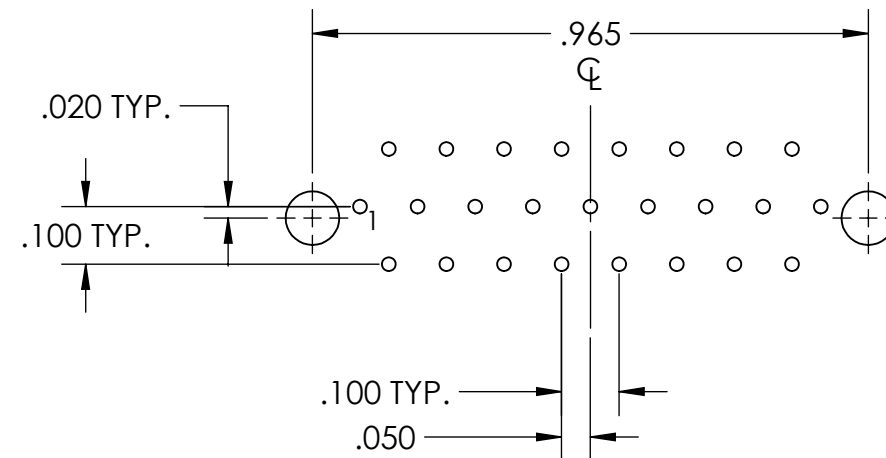
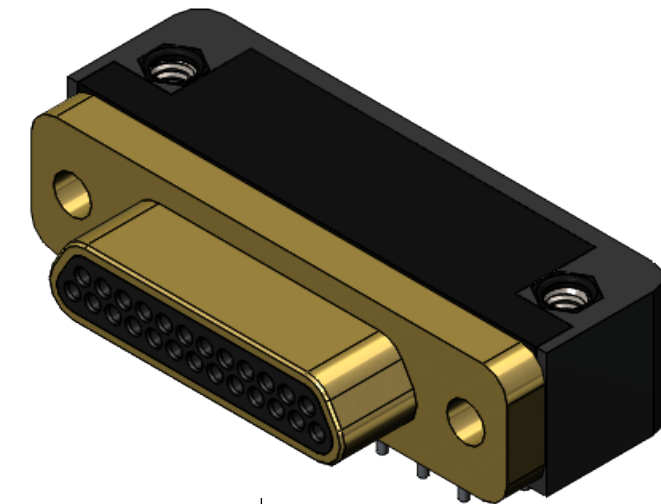
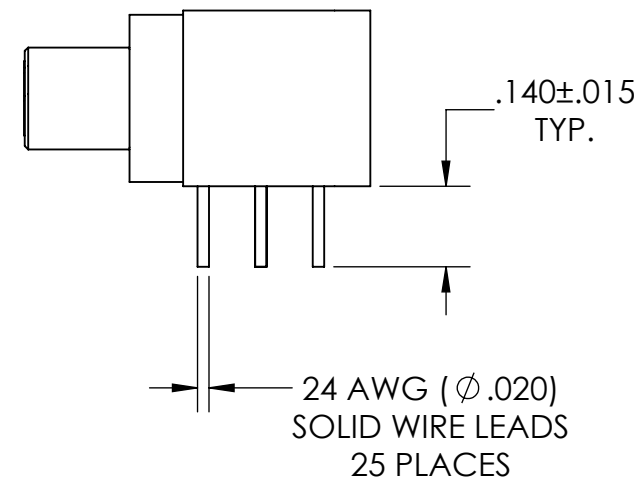
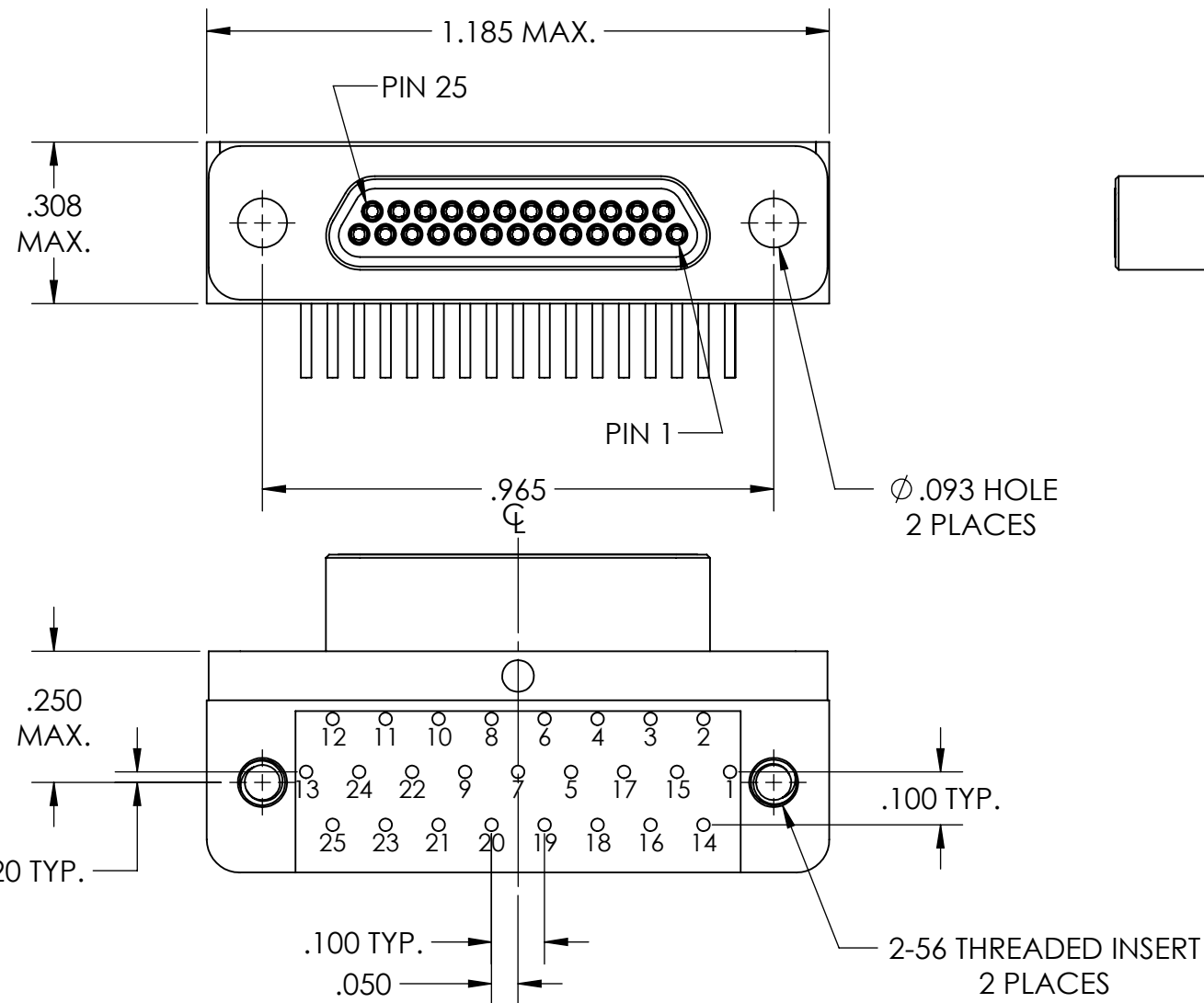


REVISIONS					
PART REV.	DWG. ISSUE	DATE	ECN NO.	APPVD. BY	REL. BY
-	-	7/1/2020	UMI7516	JA	DW



**RECOMMENDED PCB LAYOUT**

- 5. NUMBERS FOR REFERENCE ONLY AND DO NOT APPEAR ON PART.
  - 4. PERFORMANCE SPECIFICATIONS:  
CURRENT RATING: 3A MAX.  
INSULATION RESISTANCE: 5000 MΩ MIN.  
DWV: 600 VAC  
TEMPERATURE RATING: 125°C
  - 3. MATERIALS:  
SHELL: 6061-T6 ALUMINUM PER AMS-QQ-A200/8, CADMIUM PLATED PER AMS-QQ-P-416  
INSULATOR: PPS PER MIL-M-24519 GST-40F, COLOR: BLK  
PIN CONTACTS: C17200 BERYLLIUM COPPER PER ASTM B194, GOLD PLATED PER ASTM B488  
24 AWG LEADS: TIN PLATED COPPER ALLOY PER A-A-59551 TYPE S
  - 2. MARKINGS: "UMI", UMI PART NO., WORK ORDER NO. AND DATE CODE.
  - 1. CONNECTOR ASSEMBLY IS IAW MIL-DTL-83513 UNLESS OTHERWISE SPECIFIED.
- NOTES: UNLESS OTHERWISE SPECIFIED

QUALITY SYMBOLS CRITICAL SPL/ MINOR SPL/ MAJOR KEY	<b>UNLESS SPECIFIED:</b> ALL DIMENSIONS IN INCHES GENERAL TOLERANCES: 3 PLACE ±.002 2 PLACE ±.005 ANGULAR ±2°	SCALE <b>NONE</b>	DWG SIZE <b>B</b>	THIRD ANGLE PROJECTION REVISE ON CAD ONLY	
	ALL EXTERNAL SPECIFICATIONS REFERENCED ON THIS DRAWING SHALL BE THE LATEST REVISION IN EFFECT	DRAWN BY & DATE JA 7/1/2020	TITLE MICRO-D CIRCUIT CONNECTOR, PLUG, STYLE 1, SIZE 25 CM1R25P0T-0.140		
	Ulti-Mate CAGE CODE <b>58967</b>	CHECKED BY & DATE SEE ECN	MATERIAL 3	ENG PROJECT #	SHEET NO. <b>1 OF 1</b>
		APPROVED BY & DATE SEE ECN	PART NO. 836140129	DRAWING NO. SD-836140129	PART REV. -
		CAD FILENAME SD-836140129.slddrw	THIS DRAWING CONTAINS INFORMATION THAT IS PROPRIETARY TO ULTI-MATE INCORPORATED AND SHOULD NOT BE USED WITHOUT WRITTEN PERMISSION.		

