

10

9

8

7

6

5

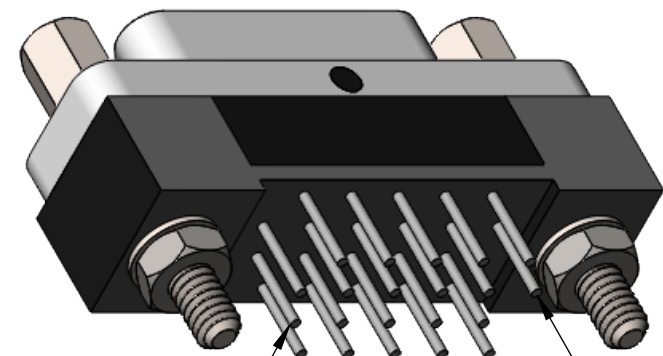
4

3

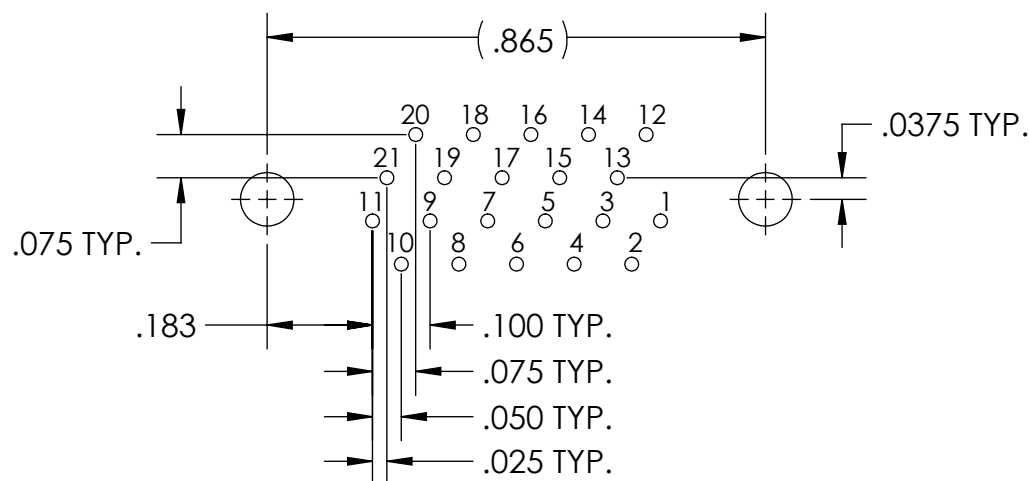
2

SD-836131627

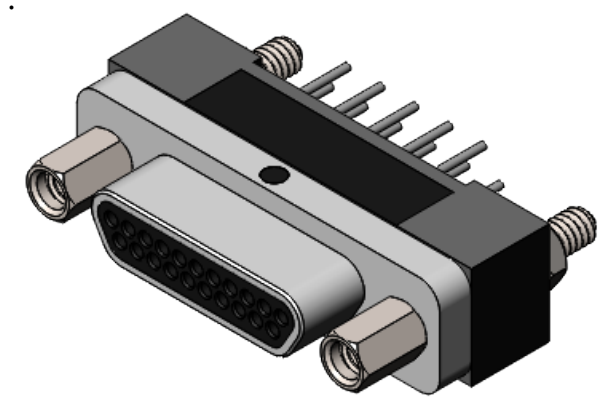
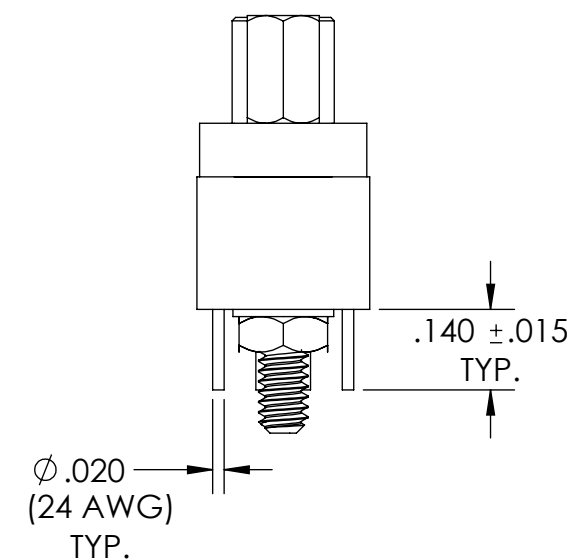
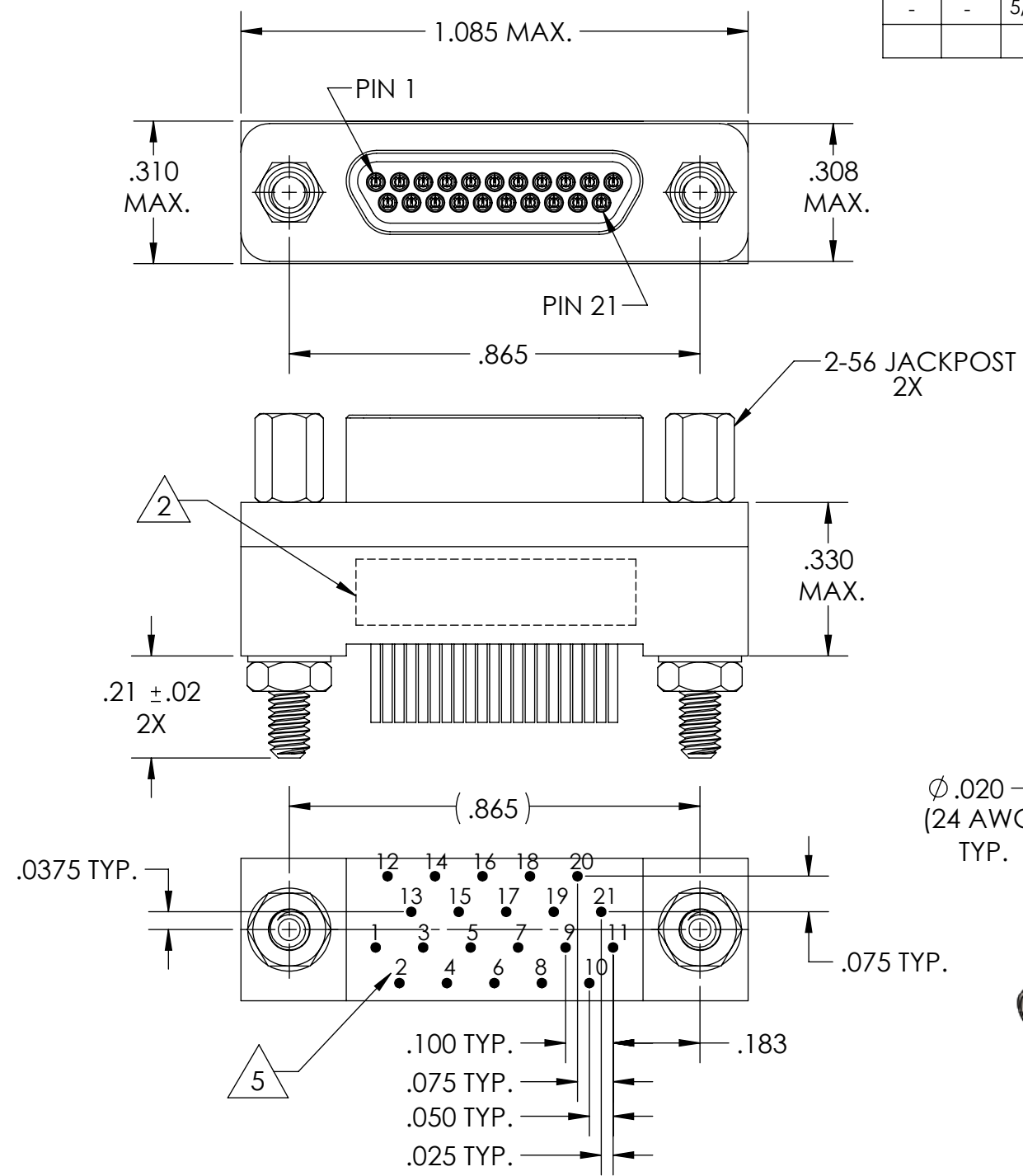
PART REV	DWG ISSUE	DATE	ECN NO.	APPVD BY	REL BY
-	-	5/9/19	UMI7143	DU	DW



POSITION 21  
 ↓  
**PCB VIEW**  
 POSITION 1



**RECOMMENDED PCB LAYOUT**



6. CONTACT HEIGHTS ARE TO BE PER QA-STD-101.

5 NUMBERS, (LEAD LOCATIONS), ARE SHOWN FOR REFERENCE ONLY AND DO NOT APPEAR ON ACTUAL PART.

4. PERFORMANCE SPECIFICATIONS:  
 CURRENT RATING: 3 AMP MAX.  
 DWV: 600 VAC  
 TEMPERATURE RATING: -55°C TO 125°C

3 MATERIALS:  
 SHELL: 6061-T6 ALUMINUM PER AMS-QQ-A200/8, NICKEL PLATED PER AMS-2404  
 INSULATOR/BACKSHELL: PPS PER MIL-M-24519 GST-40F, COLOR: BLACK  
 PIN CONTACTS: C17200 BERYLLIUM COPPER PER ASTM B194, GOLD PLATED PER ASTM B488  
 24 AWG LEADS: TIN PLATED COPPER ALLOY PER A-A-59551, TYPE S  
 HARDWARE: PASSIVATED STAINLESS STEEL IAW MIL-DTL-83513/5

2 MARKING: "UMI", DATE CODE, UMI PART NUMBER, UMI WORK ORDER NUMBER

1. CONNECTOR ASSEMBLY IS IAW MIL-DTL-83513 UNLESS OTHERWISE SPECIFIED.

**NOTES: UNLESS OTHERWISE SPECIFIED.**

QUALITY SYMBOLS CRITICAL MAJOR NO SYMBOLS = MINOR DIMENSIONS	UNLESS OTHERWISE SPECIFIED: ALL DIMENSIONS ARE IN INCHES	SCALE <b>NONE</b>	DWG SIZE <b>B</b>	THIRD ANGLE PROJECTION	<b>REVISE ON CAD ONLY</b>		
	GENERAL TOLERANCES:  3 PLACES ±.005 2 PLACES ±.01 ANGULAR ±2°	DRAWN BY & DATE <b>DU 5/9/19</b>		TITLE: <b>MICRO-D CIRCUIT CONNECTOR, CM6R21P07-.140-S01</b>			
		CHECKED BY & DATE <b>DW 5/9/19</b>		MATERIAL:	ENG PROJECT #:		
		APPROVED BY & DATE <b>DW 5/9/19</b>		3	<b>NONE</b>		
	CAD FILE NAME <b>SD-836131627.sliddrw</b>	PART NO. <b>836131627</b>	DRAWING NO. <b>SD-836131627</b>	SHEET NO. <b>1 of 1</b>			
ULTI-MATE CAGE CODE <b>58967</b>						THIS DRAWING CONTAINS INFORMATION THAT IS PROPRIETARY TO ULTI-MATE INCORPORATED AND SHOULD NOT BE USED WITHOUT WRITTEN PERMISSION.	