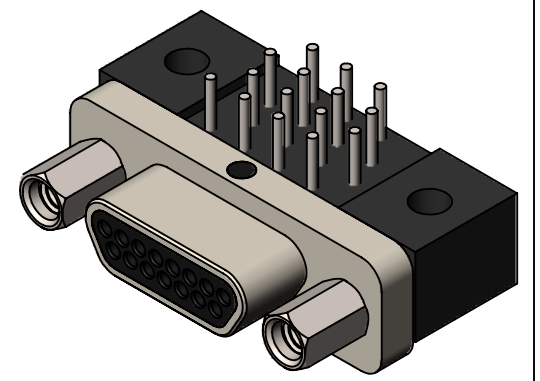
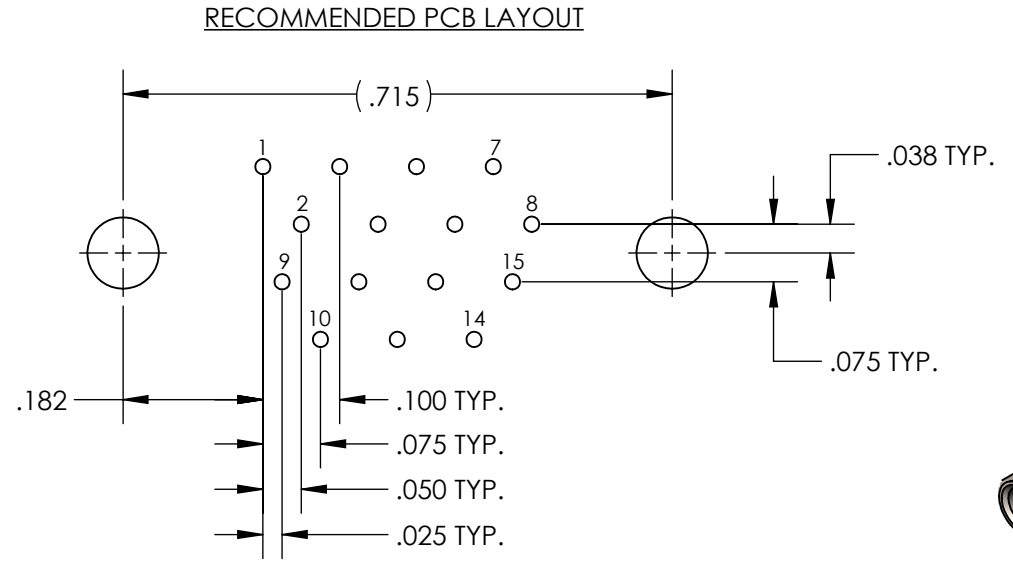
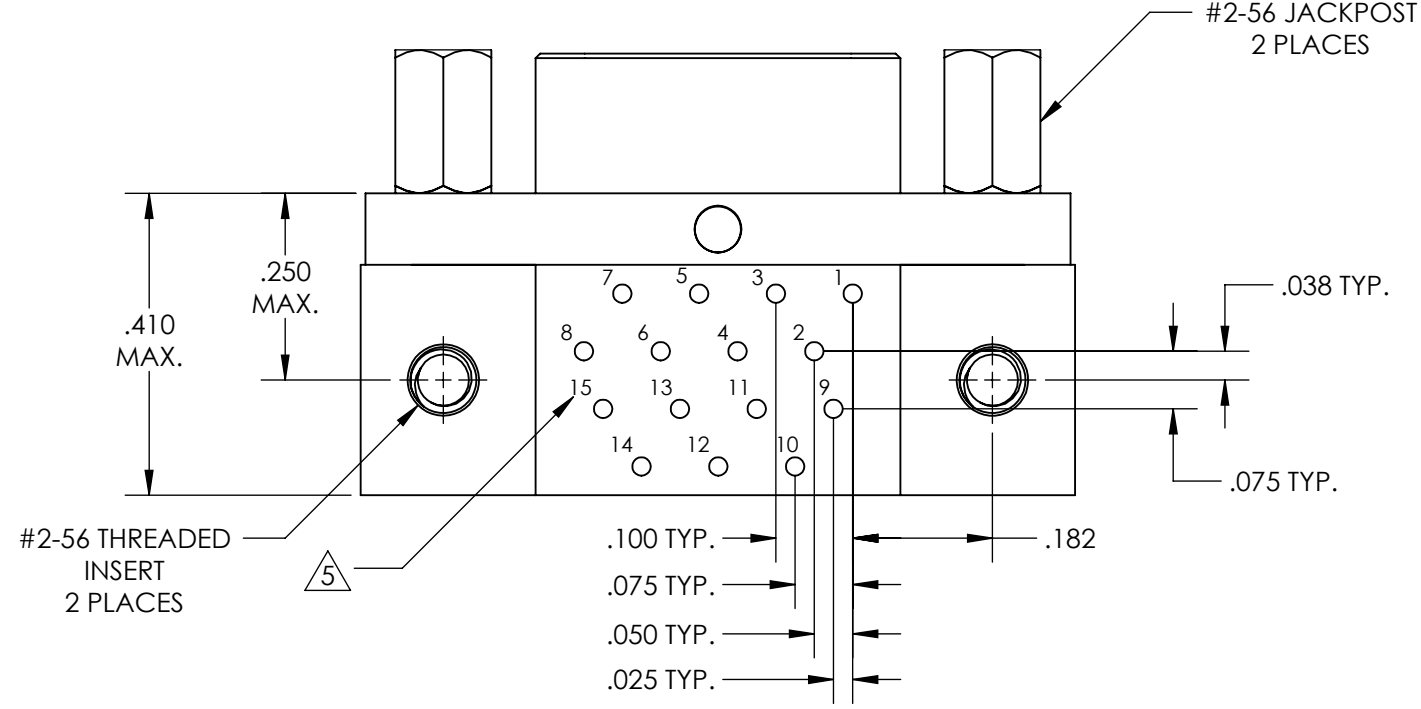
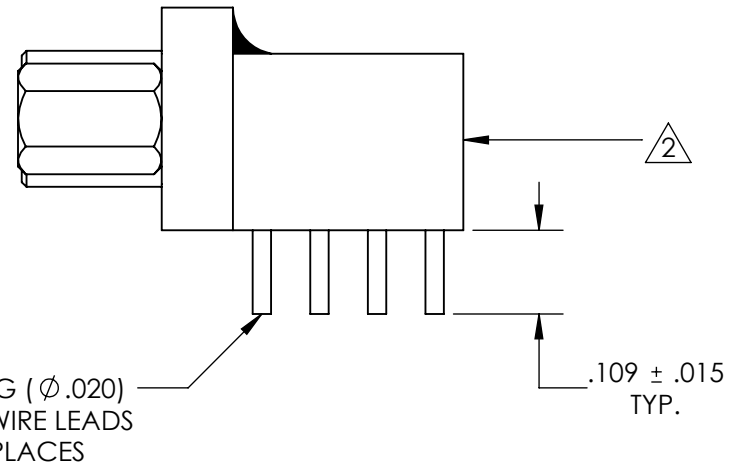
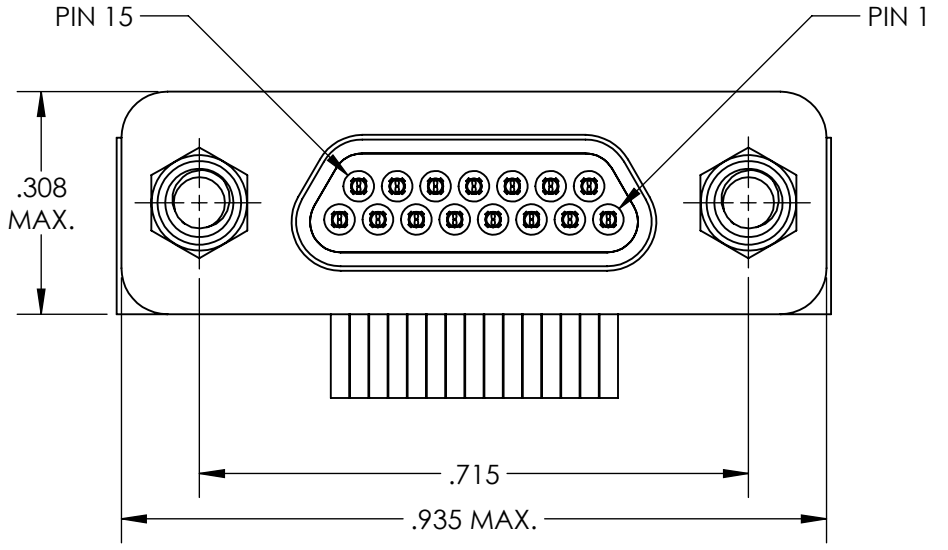


REVISIONS

PART REV.	DWG. ISSUE	DATE	ECN NO.	APPVD. BY	REL. BY
-	-	03/02/2017	UMI6250	DW	DW



5 NUMBERS ARE FOR REFERENCE ONLY AND DO NOT APPEAR ON PART

4. PERFORMANCE SPECIFICATIONS:  
 CURRENT RATING: 3A MAX.  
 INSULATION RESISTANCE: 5000 MΩ MIN.  
 DWV: 600 VAC  
 TEMPERATURE RATING: 125°C

3 MATERIALS:  
 SHELL: 6061-T6 ALUMINUM PER AMS-QQ-A200/8, NICKEL PLATED PER AMS 2404  
 INSULATOR AND BACKSHELL: PPS PER MIL-M-24519 GST-40F, COLOR: BLK  
 PIN CONTACTS: C17200 BERYLLIUM COPPER PER ASTM B194, GOLD PLATED PER ASTM B488  
 24 AWG LEADS: TIN PLATED COPPER ALLOY PER A-A-59551 TYPE S  
 HARDWARE: PASSIVATED STAINLESS STEEL IAW MIL-DTL-83513/5  
 MARKINGS: "UMI", DATE CODE, WO#, AND UMI PART NO.

2 1. CONNECTOR ASSEMBLY IS IAW MIL-DTL-83513 UNLESS OTHERWISE SPECIFIED

NOTES: UNLESS OTHERWISE SPECIFIED

QUALITY SYMBOLS CRITICAL MAJOR NO SYMBOL = MINOR DIMENSION	<b>UNLESS SPECIFIED:</b> ALL DIMENSIONS IN INCHES GENERAL TOLERANCES: 3 PLACE ±.005 2 PLACE ±.01 ANGULAR ±2° ALL EXTERNAL SPECIFICATIONS REFERENCED ON THIS DRAWING SHALL BE THE LATEST REVISION IN EFFECT Ulti-Mate CAGE CODE <b>58967</b>	SCALE <b>4:1</b> DWG SIZE <b>B</b>	THIRD ANGLE PROJECTION 	<b>REVISE ON CAD ONLY</b>		
	DRAWN BY & DATE JB 03/02/2017 CHECKED BY & DATE DW 03/02/2017 APPROVED BY & DATE DW 03/02/2017	TITLE MICRO-D CIRCUIT CONNECTOR PLUG (PINS), 15 POSITION, STYLE 8 W/THREADED INSERTS CM8R15P07T-S01	MATERIAL 	ENG PROJECT #		
	CAD FILENAME SD-836121818.slddrw	PART NO. 836121818	DRAWING NO. SD-836121818	SHEET NO. <b>1 OF 1</b>	THIS DRAWING CONTAINS INFORMATION THAT IS PROPRIETARY TO ULTI-MATE INCORPORATED AND SHOULD NOT BE USED WITHOUT WRITTEN PERMISSION.	
	Ulti-Mate CAGE CODE <b>58967</b>	PART NO. 836121818	DRAWING NO. SD-836121818	SHEET NO. <b>1 OF 1</b>	PART REV. -	
	NOTES: UNLESS OTHERWISE SPECIFIED					