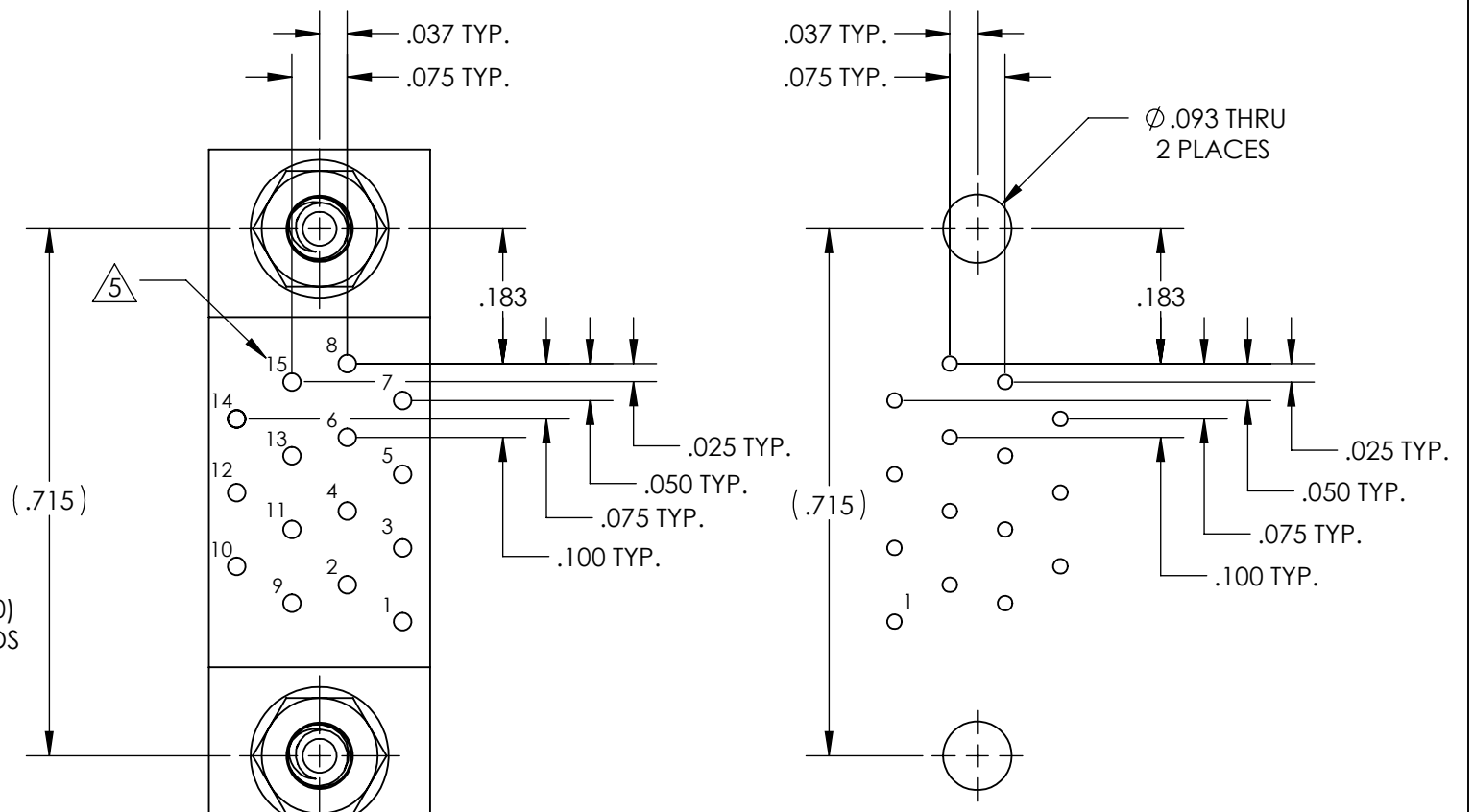
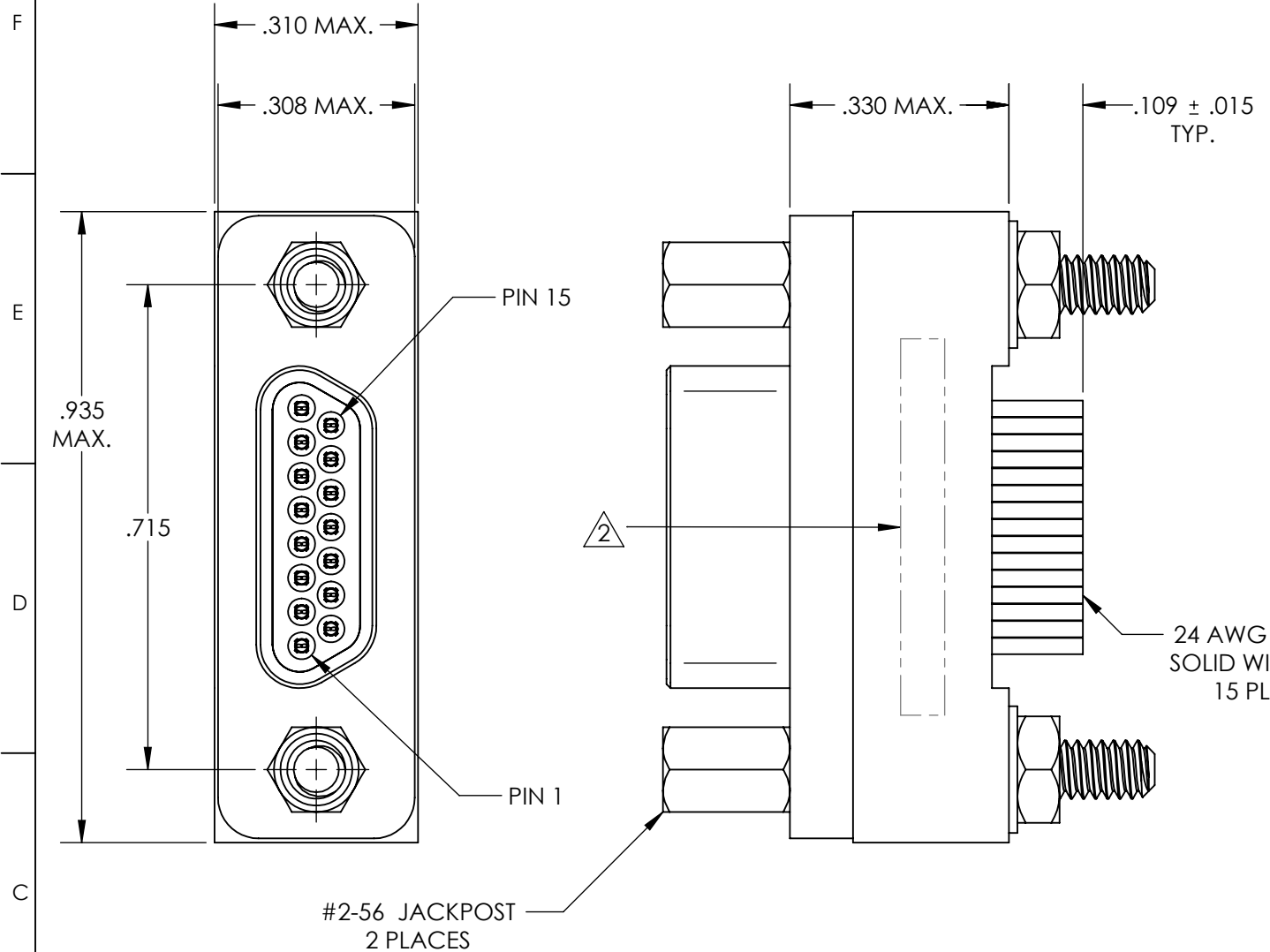
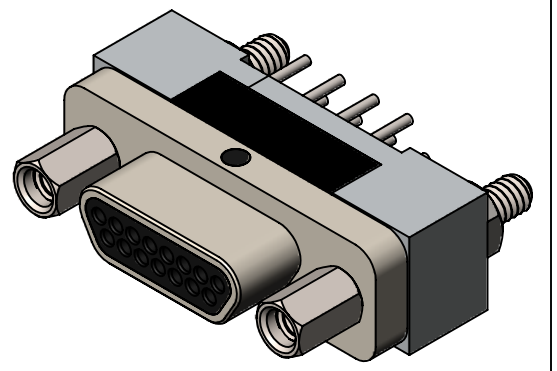


REVISIONS

PART REV.	DWG. ISSUE	DATE	ECN NO.	APPVD. BY	REL. BY
A	A	03/05/1999	UM9-0360	FVW	FVW
B	B	07/25/2016	UMI6035	DW	DW



RECOMMENDED PCB LAYOUT



- 5 NUMBERS ARE FOR REFERENCE ONLY AND DO NOT APPEAR ON PART
- 4. PERFORMANCE SPECIFICATIONS: (AT AMBIENT TEMPERATURE)  
 CURRENT RATING: 3A MAX.  
 INSULATION RESISTANCE: 5000 MΩ MIN.  
 DWV: 600 VAC  
 TEMPERATURE RATING: 125°C
- 3 MATERIALS:  
 SHELL: 6061-T6 ALUMINUM PER AMS-QQ-A200/8, NICKEL PLATED PER AMS 2404  
 INSULATOR AND BACKSHELL: PPS PER MIL-M-24519 GST-40F, COLOR: BLK  
 PIN CONTACTS: C17200 BERYLLIUM COPPER PER ASTM B194, GOLD PLATED PER ASTM B488  
 24 AWG LEADS: 60/40 TIN/LEAD PLATED COPPER ALLOY  
 HARDWARE: PASSIVATED STAINLESS STEEL IAW MIL-DTL-83513/5
- 2 MARKINGS: "UMI", DATE CODE, WORK ORDER NUMBER, AND UMI PART NUMBER

**NOTES: UNLESS OTHERWISE SPECIFIED**

1. CONNECTOR ASSEMBLY IS IAW MIL-DTL-83513 UNLESS OTHERWISE SPECIFIED

QUALITY SYMBOLS CRITICAL MAJOR NO SYMBOL = MINOR DIMENSION	<b>UNLESS SPECIFIED:</b> ALL DIMENSIONS IN INCHES GENERAL TOLERANCES: 3 PLACE ±.005 2 PLACE ±.01 ANGULAR ±2° ALL EXTERNAL SPECIFICATIONS REFERENCED ON THIS DRAWING SHALL BE THE LATEST REVISION IN EFFECT Ulti-Mate CAGE CODE <b>58967</b>	SCALE <b>4:1</b>	DWG SIZE <b>B</b>	THIRD ANGLE PROJECTION	<b>REVISE ON CAD ONLY</b>
	DRAWN BY & DATE DU 03/05/1999	TITLE MICRO-D CIRCUIT CONNECTOR, PLUG (PINS), STYLE 6, 15 POSITION, W/JACKPOSTS CM6R15P07-S01		MATERIAL 3	ENG PROJECT #
	CHECKED BY & DATE SEE ECN	APPROVED BY & DATE SEE ECN		PART NO. 836121617	DRAWING NO. SD-836121617
	CAD FILENAME SD-836121617.slddrw	THIS DRAWING CONTAINS INFORMATION THAT IS PROPRIETARY TO ULTI-MATE INCORPORATED AND SHOULD NOT BE USED WITHOUT WRITTEN PERMISSION.		SHEET NO. <b>1 OF 1</b>	PART REV. B
	Ulti-Mate Connector Inc.				