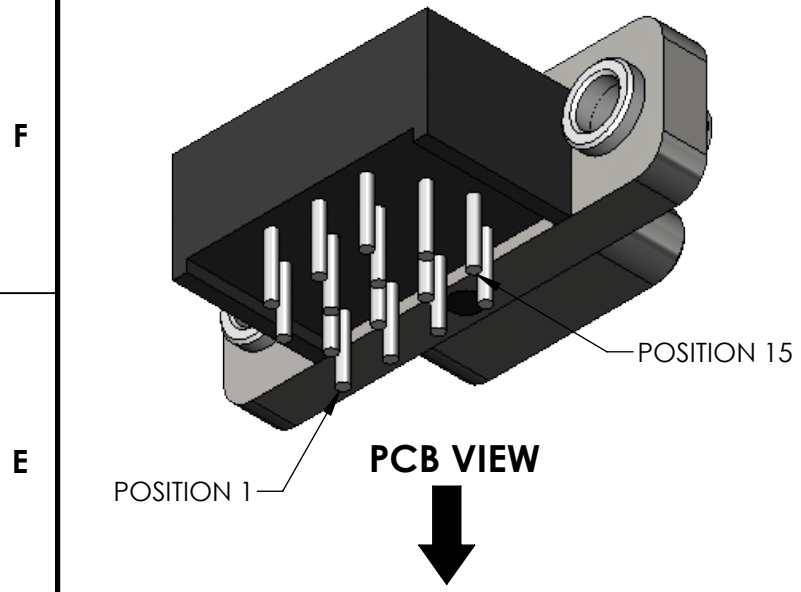
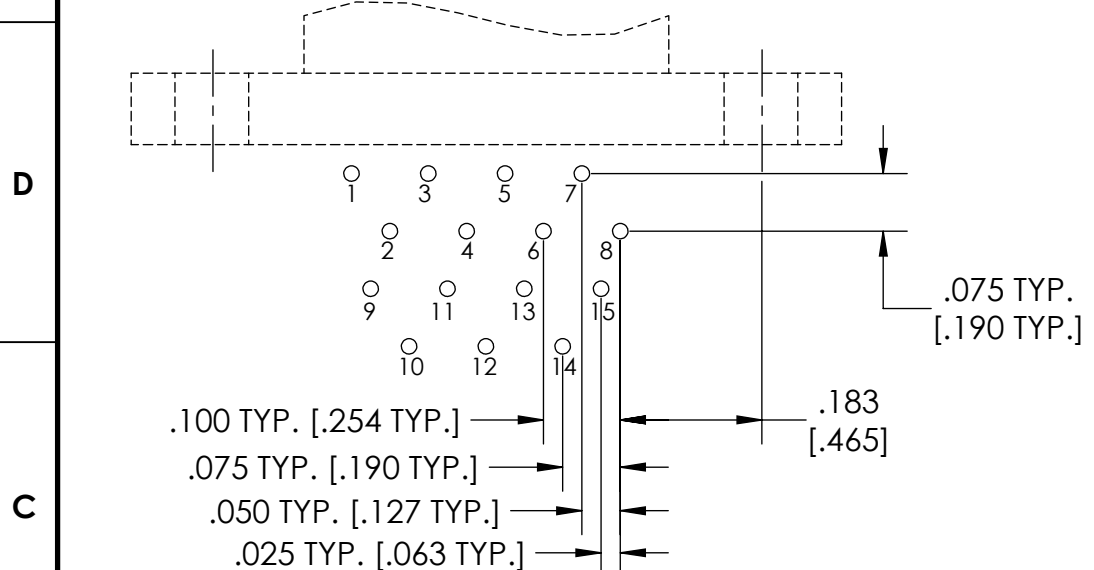


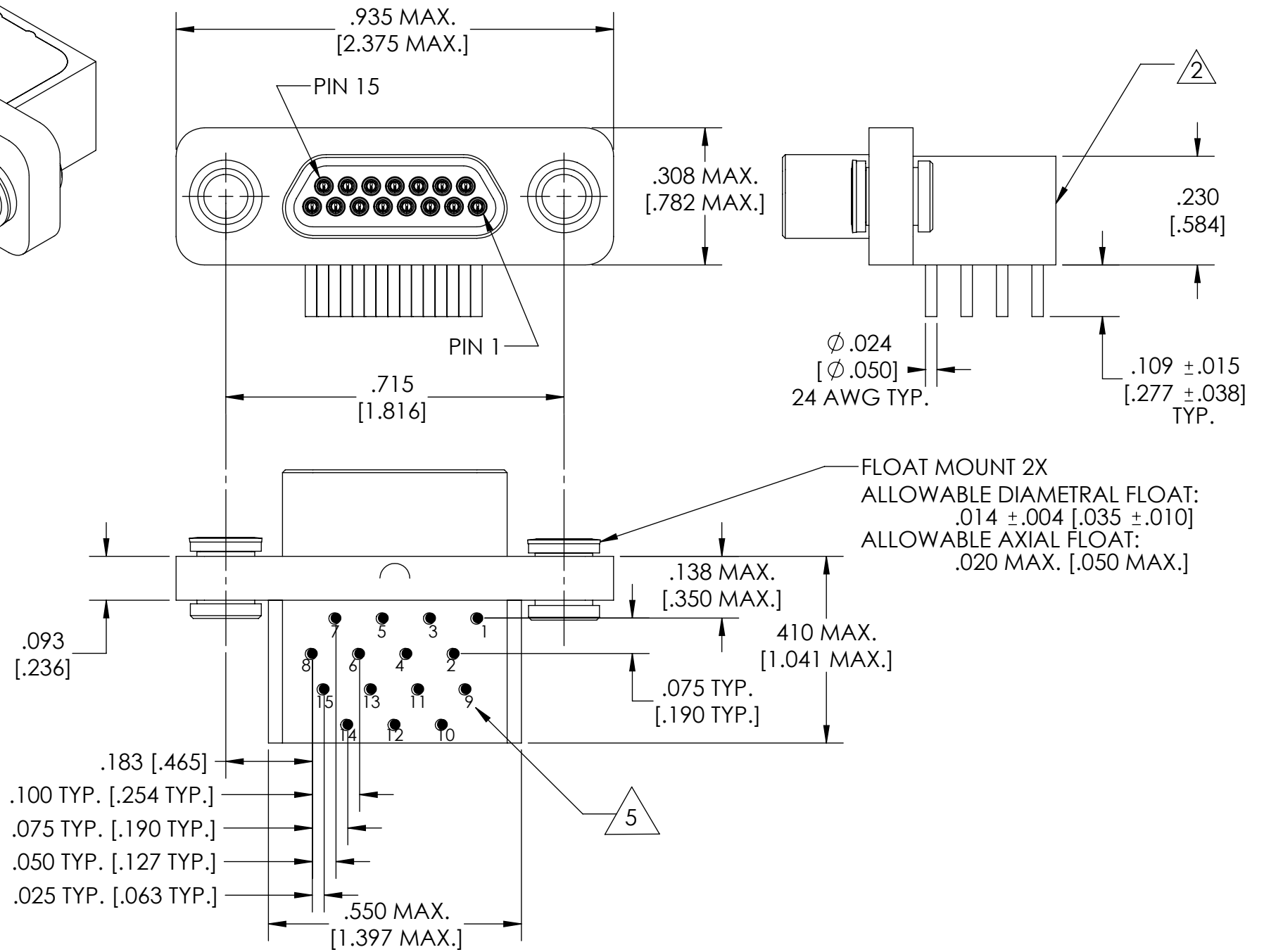
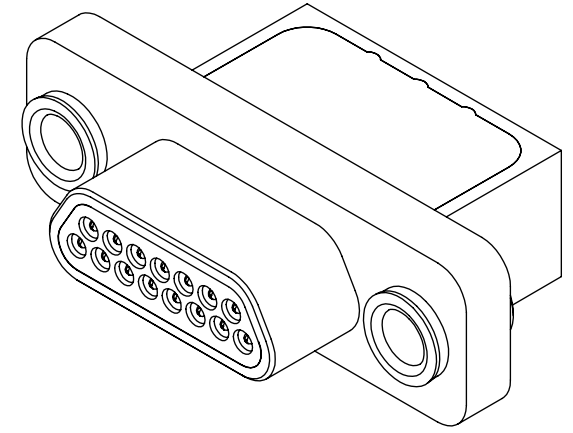
PART REV	DWG ISSUE	DATE	ECN NO.	APPVD BY	REL BY
-	-	06/25/14	UMI5347	DW	DW
A	A	11/10/17	UMI6555	DW	DW



PCB VIEW



RECOMMENDED PCB LAYOUT



- 5 LEAD LOCATION NUMBERS ARE REF. ONLY AND DO NOT APPEAR ON ACTUAL PART.
- 4. PERFORMANCE SPECIFICATIONS:  
 CURRENT RATING: 3 AMPS MAX.  
 INSULATION RESISTANCE: 5000 MEGOHMS MIN.  
 DWV: 600 VAC  
 TEMPERATURE RATING: 125° C

3 MATERIALS:  
 SHELL: 6061-T6 ALUMINUM PER AMS-QQ-A200/8, NICKEL PLATED PER AMS-2404  
 INSULATOR & BACKSHELL: PPS PER MIL-M-24519 GST-40F, COLOR: BLACK  
 PIN CONTACTS: C17200 BERYLLIUM COPPER PER ASTM B194, GOLD PLATED PER ASTM B488  
 24 AWG LEADS: TIN PLATED COPPER ALLOY PER A-A-59551, TYPE S  
 HARDWARE: PASSIVATED STAINLESS STEEL IAW MIL-DTL-83513/5

2 MARKING: "UMI", DATE CODE, UMI W/O NO..  
 1. CONNECTOR ASSEMBLY IS IAW MIL-DTL-83513 UNLESS OTHERWISE SPECIFIED.

NOTES: UNLESS OTHERWISE SPECIFIED.

QUALITY SYMBOLS CRITICAL MAJOR NO SYMBOLS = MINOR DIMENSIONS	UNLESS OTHERWISE SPECIFIED: ALL DIMENSIONS ARE IN INCHES [mm]	SCALE: NONE DWG SIZE: B	THIRD ANGLE PROJECTION	REVISE ON CAD ONLY		
	GENERAL TOLERANCES: 3 PLACES ±.005 [.127] 2 PLACES ±.01 [.25] ANGULAR ±2° [50°]	DRAWN BY & DATE: DU 6/23/14	TITLE: MICRO-D CIRCUIT CONNECTOR, CM18R15P0-F01-S01, FLOAT MOUNTS, NICKEL PLATED SHELL		ENG PROJECT #: NONE	
	ULTI-MATE CAGE CODE 58967	CHECKED BY & DATE: DW 6/23/14	MATERIAL: 3		SHEET NO.: 1 of 1	
		APPROVED BY & DATE: DW 6/23/14	CAD FILE NAME: SD-836121011.SLDDRW	PART NO.: 836121011	DRAWING NO.: SD-836121011	PART REV.: A

THIS DRAWING CONTAINS INFORMATION THAT IS PROPRIETARY TO ULTI-MATE INCORPORATED AND SHOULD NOT BE USED WITHOUT WRITTEN PERMISSION.

