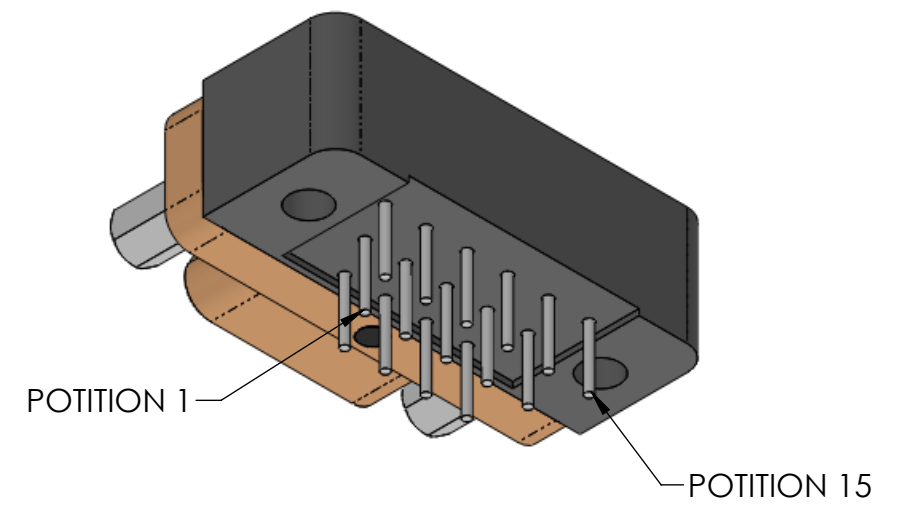
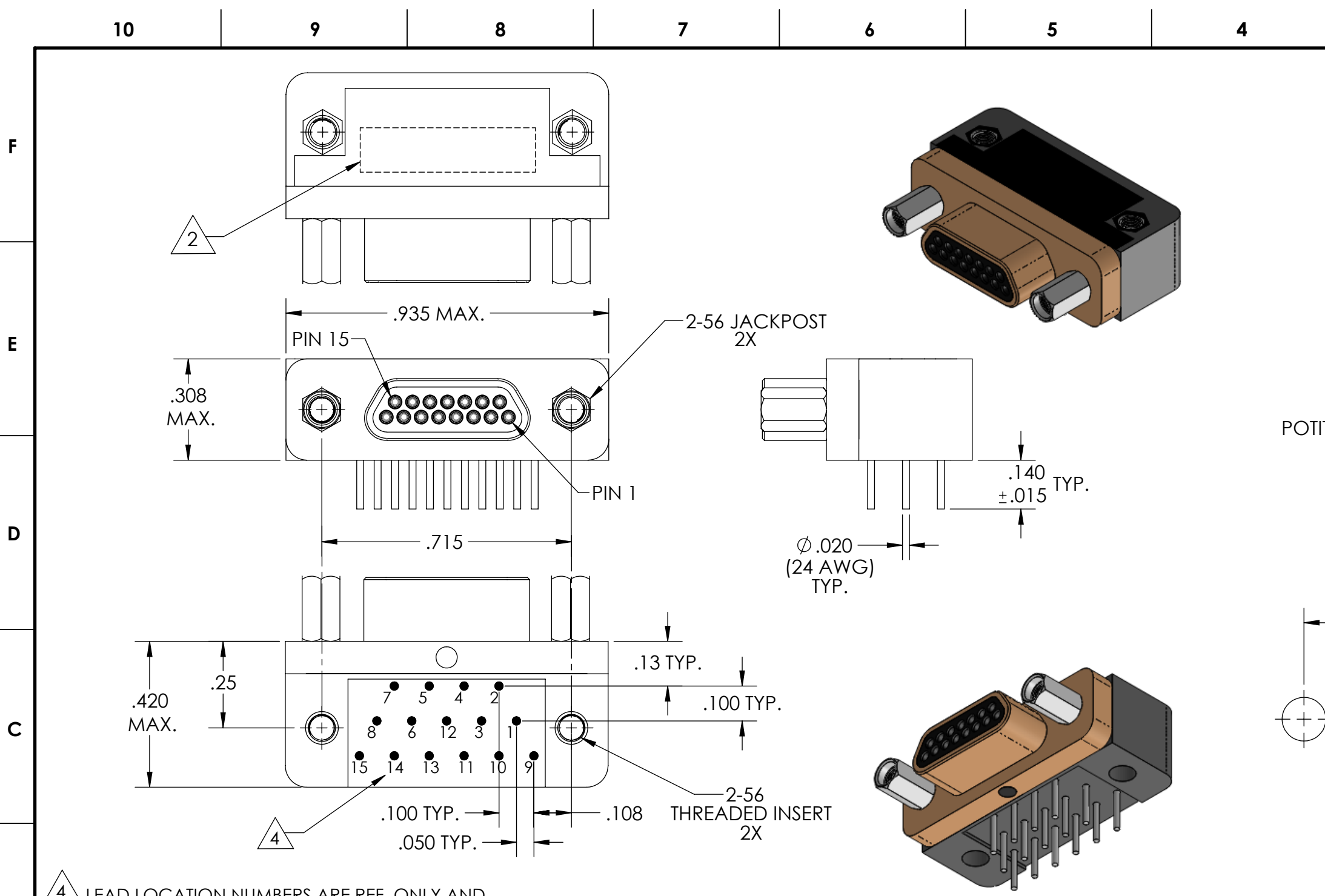
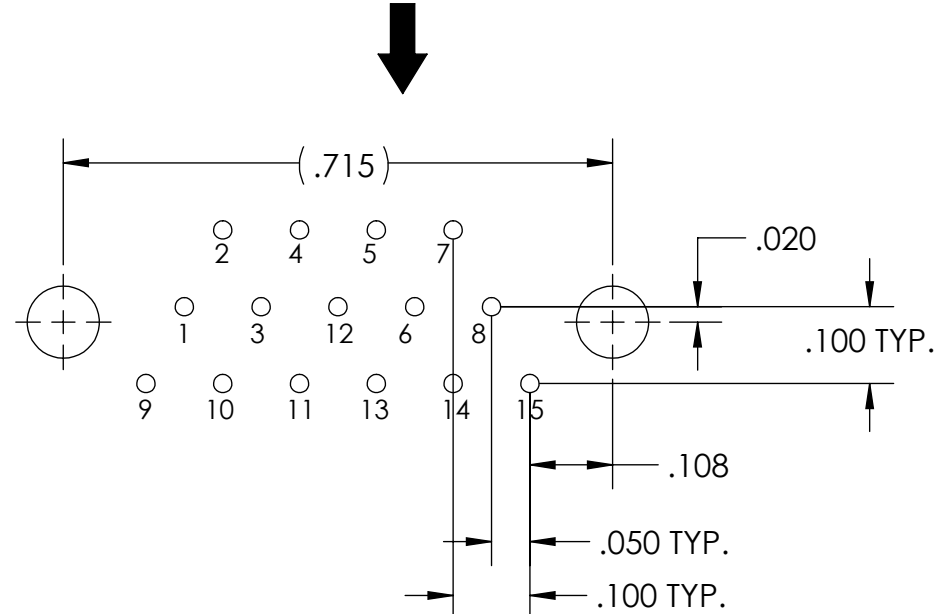


PART REV	DWG ISSUE	DATE	ECN NO.	APPVD BY	REL BY
-	-	2/26/15	UMI5544	DW	DW



PCB VIEW



RECOMMENDED PCB LAYOUT

4 LEAD LOCATION NUMBERS ARE REF. ONLY AND DO NOT APPEAR ON ACTUAL PART.

3. PERFORMANCE SPECIFICATIONS:  
 CURRENT RATING: 3 AMPS MAX.  
 INSULATION RESISTANCE: 5000 MEGOHMS MIN.  
 DWV: 600 VAC  
 TEMPERATURE RATING: 125° C

2 MATERIALS:  
 SHELL: 6061-T6 ALUMINUM PER AMS-QQ-A200/8, CADMIUM PLATED PER AMS-QQ-416  
 INSULATOR/BACKSHELL: PPS PER MIL-M-24519 GST-40F, COLOR: BLACK  
 PIN CONTACTS: CC17200 BERYLLIUM COPPER PER ASTM B194, GOLD PLATED PER ASTM B488  
 24 AWG LEADS: TIN PLATED COPPER ALLOY PER A-A-59551, TYPE S  
 JACKPOST/INSERTS: PASSIVATED STAINLESS STEEL IAW MIL-DTL-83513/5

1 MARKING: "UMI", DATE CODE, UMI PART NUMBER

NOTES: UNLESS OTHERWISE SPECIFIED.

QUALITY SYMBOLS CRITICAL C=2 MAJOR NO SYMBOLS = MINOR DIMENSIONS	UNLESS OTHERWISE SPECIFIED: ALL DIMENSIONS ARE IN INCHES	SCALE 3:1	DWG SIZE B	THIRD ANGLE PROJECTION	REVISE ON CAD ONLY		
	GENERAL TOLERANCES: 3 PLACES ±.005 2 PLACES ±.01 ANGULAR ±2°	DRAWN BY & DATE DU 2/26/15	TITLE: MICRO-D CIRCUIT CONNECTOR ASSY, PLUG, STYLE 1, SIZE 15, 2-56 JACKPOSTS & THD INSERTS, CM1R15P07T-.140			ENG PROJECT #: NONE	
	ULTI-MATE CAGE CODE 58967	CHECKED BY & DATE DW 2/26/15	MATERIAL: 2	PART NO. 836120128	DRAWING NO. SD-836120128	SHEET NO. 1 of 1	
		APPROVED BY & DATE DW 2/26/15	CAD FILE NAME SD-836120128.SLDDRW			PART REV. -	
	THIS DRAWING CONTAINS INFORMATION THAT IS PROPRIETARY TO ULTI-MATE INCORPORATED AND SHOULD NOT BE USED WITHOUT WRITTEN PERMISSION.						