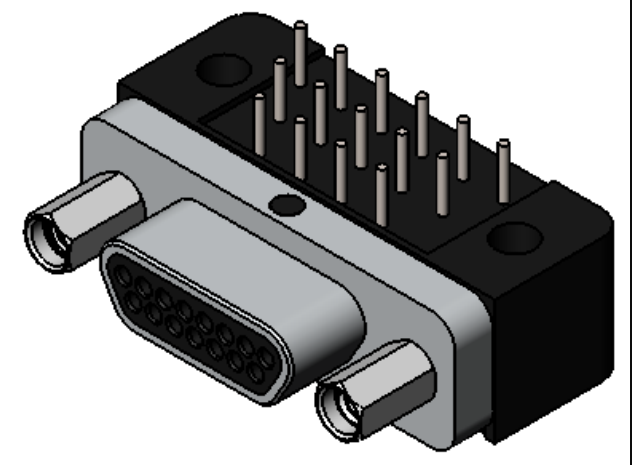
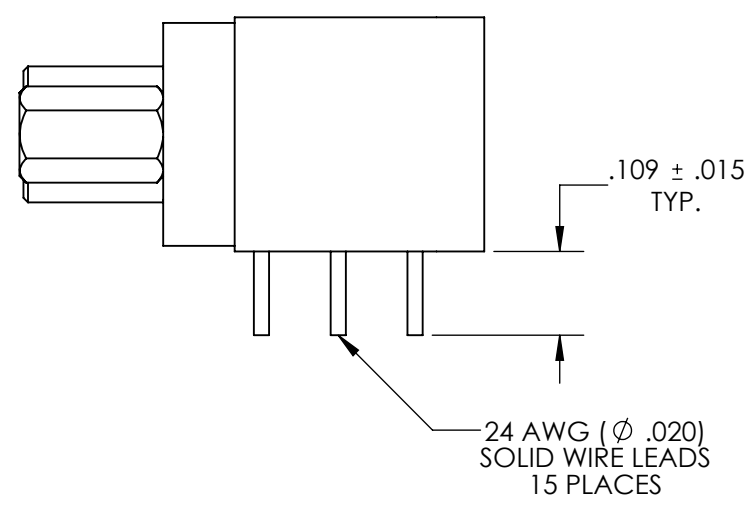
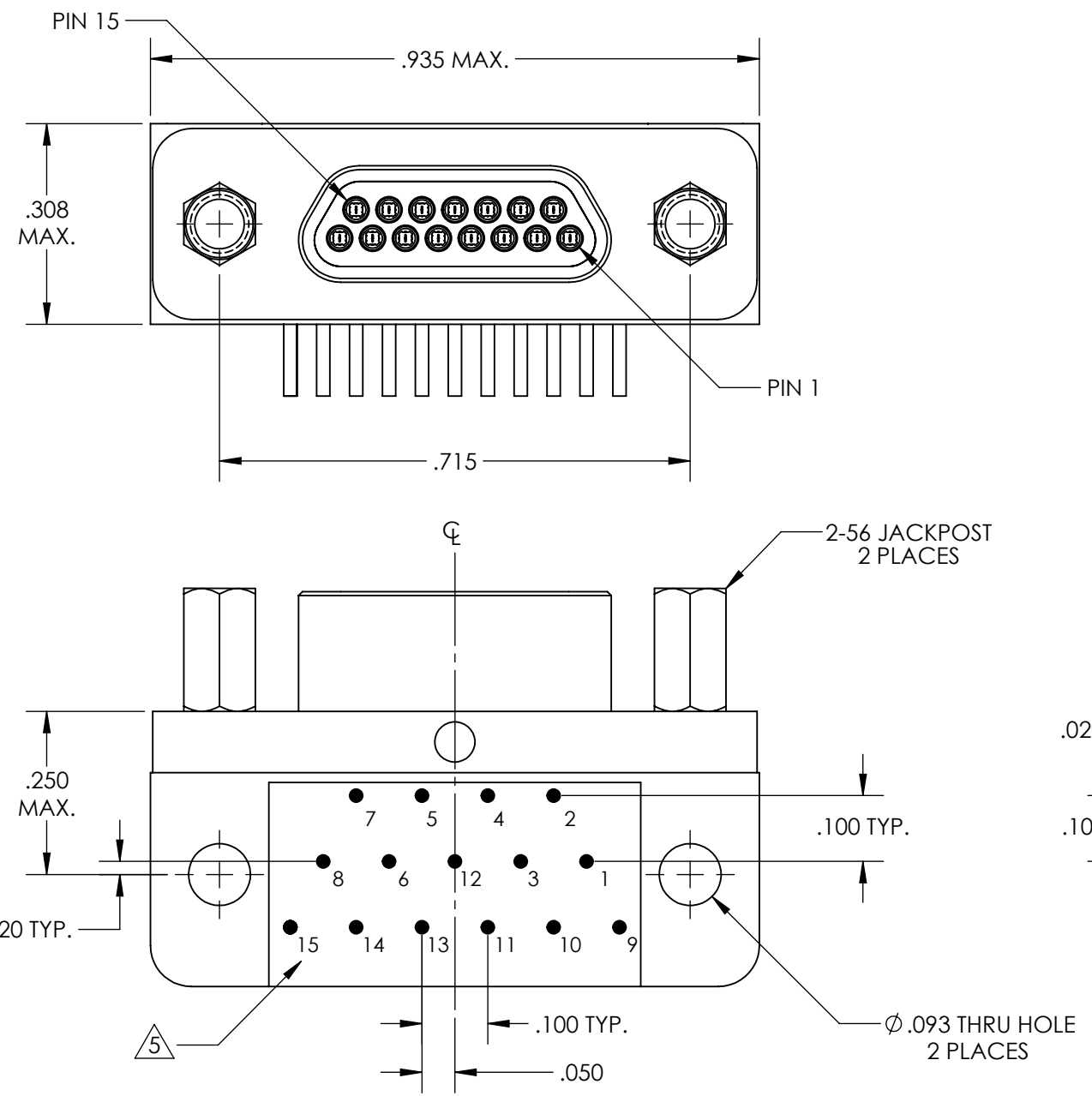
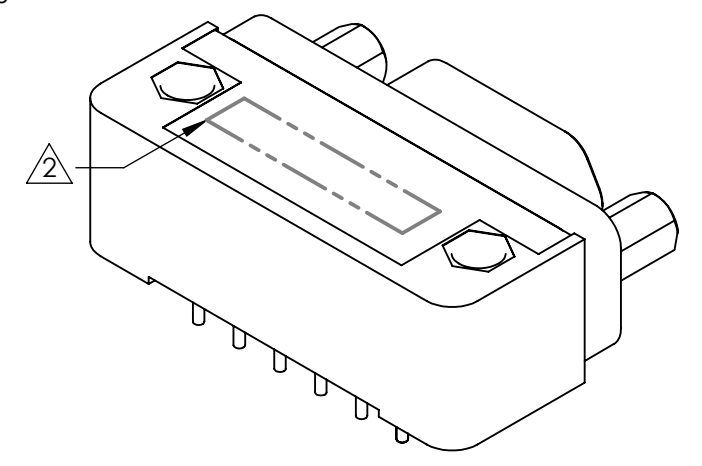
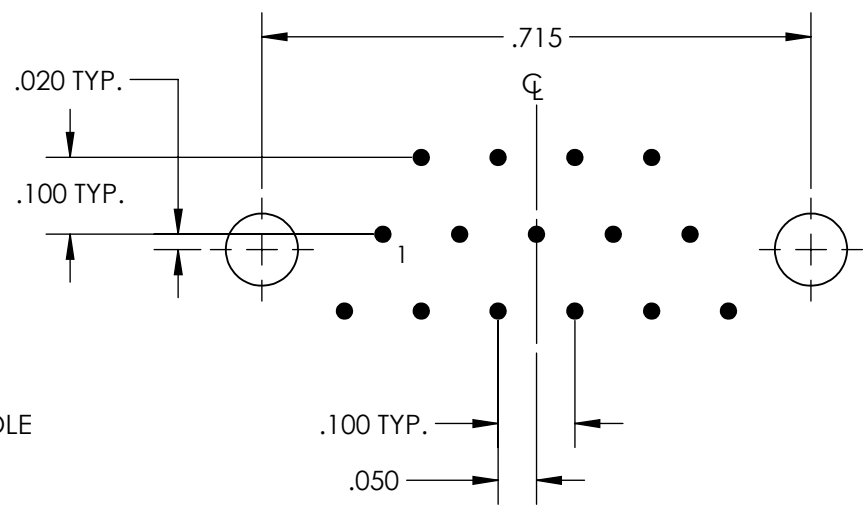


REVISIONS					
PART REV.	DWG. ISSUE	DATE	ECN NO.	APPVD. BY	REL. BY
-	-	09/03/2013	UMI5073	DW	DW



RECOMMENDED PCB LAYOUT



5 NUMBERS ARE FOR REFERENCE ONLY AND DO NOT APPEAR ON PART

4. PERFORMANCE SPECIFICATIONS:
CURRENT RATING: 3A MAX.
INSULATION RESISTANCE: 5000 MΩ MIN.
DWV: 600 VAC
TEMPERATURE RATING: 125°C
CONTACT RESISTANCE: 8 mΩ MAX AT 2.5 AMPS

3 MATERIALS:
SHELL: 6061-T6 ALUMINUM PER AMS-QQ-A200/8, CADMIUM PLATED PER AMS-QQ-P-416
INSULATOR AND BACKSHELL: PPS PER MIL-M-24519 GST-40F, COLOR: BLK
PIN CONTACTS: C17200 BERYLLIUM COPPER PER ASTM B194, GOLD PLATED PER ASTM B488
24 AWG LEADS: TIN PLATED COPPER ALLOY PER A-A-59551 TYPE S
HARDWARE: PASSIVATED STAINLESS STEEL IAW MIL-DTL-83513/5

2 MARKINGS: UMI, UMI PART NO., AND DATE CODE
1. CONNECTOR ASSEMBLY IS IAW MIL-DTL-83513 UNLESS OTHERWISE SPECIFIED

NOTES: UNLESS OTHERWISE SPECIFIED

QUALITY SYMBOLS CRITICAL C MAJOR MAJOR NO SYMBOL = MINOR DIMENSION	UNLESS SPECIFIED: ALL DIMENSIONS IN INCHES GENERAL TOLERANCES: 3 PLACE ±.005 2 PLACE ±.01 ANGULAR ±2° Ulti-Mate CAGE CODE 58967	SCALE 4:1	DWG SIZE B	THIRD ANGLE PROJECTION	REVISE ON CAD ONLY		
		DRAWN BY & DATE JB 09/03/2013		TITLE MICRO-D CIRCUIT CONNECTOR, PLUG, STYLE 1, SIZE 15 CM1R15P07			
		CHECKED BY & DATE DW 9-23-13		APPROVED BY & DATE DW 9-23-13		MATERIAL 3	
		CAD FILENAME SD-836120117.slddrw		PART NO. 836120117	DRAWING NO. SD-836120117	SHEET NO. 1 OF 1	
THIS DRAWING CONTAINS INFORMATION THAT IS PROPRIETARY TO ULTI-MATE INCORPORATED AND SHOULD NOT BE USED WITHOUT WRITTEN PERMISSION.							
PART REV. -							

