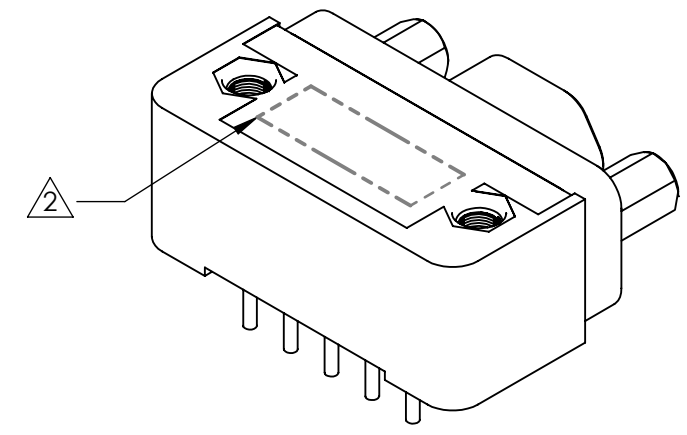
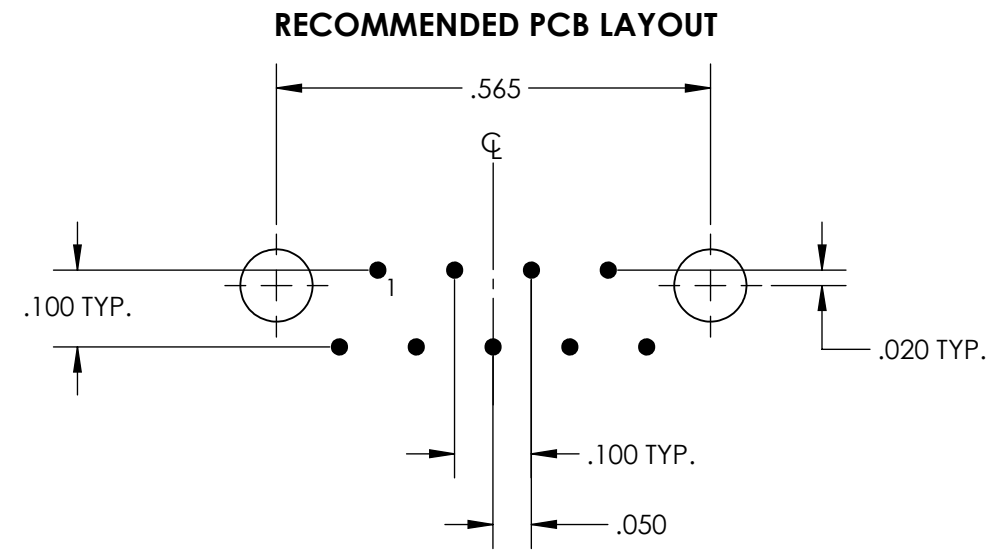
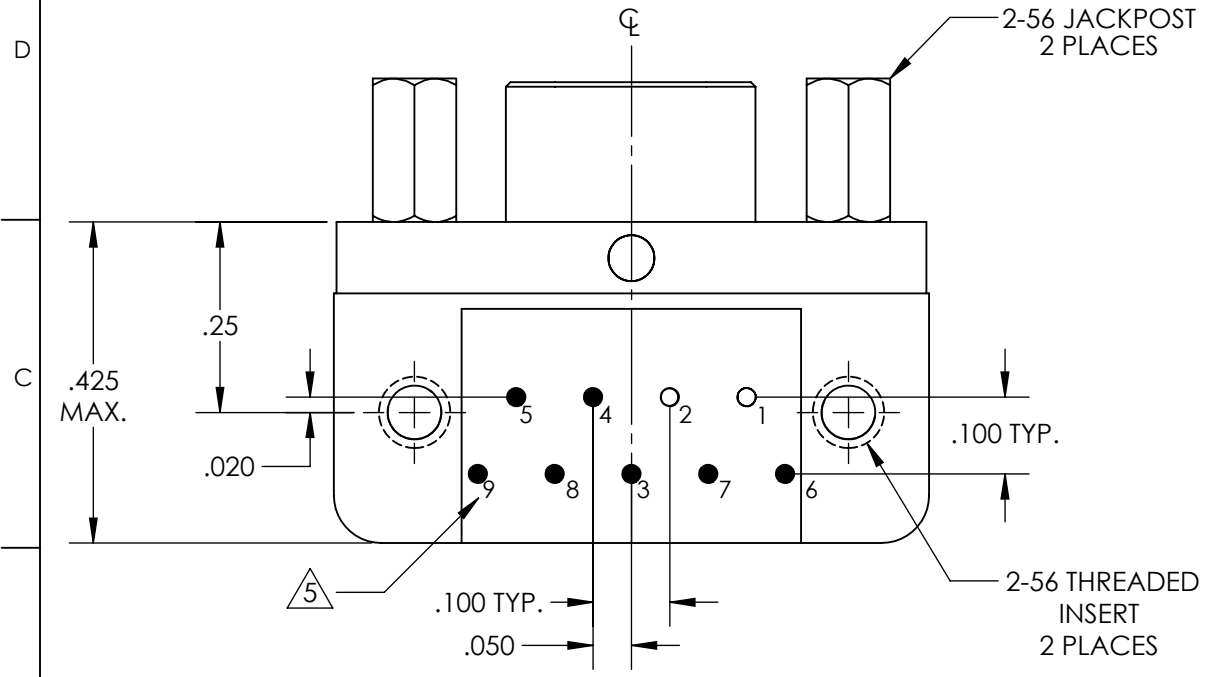
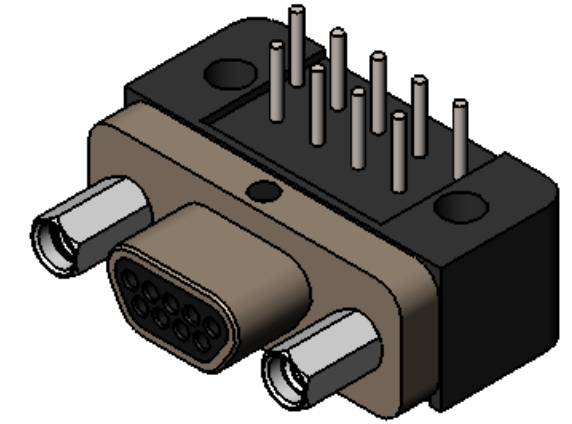
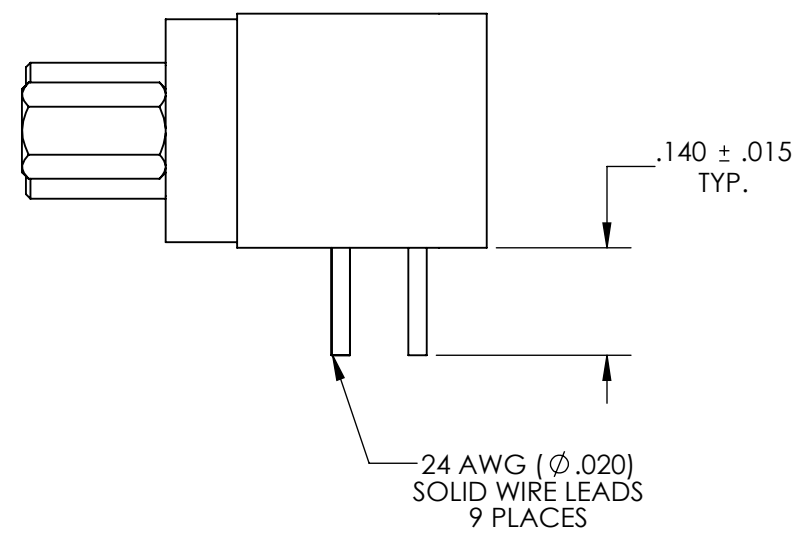
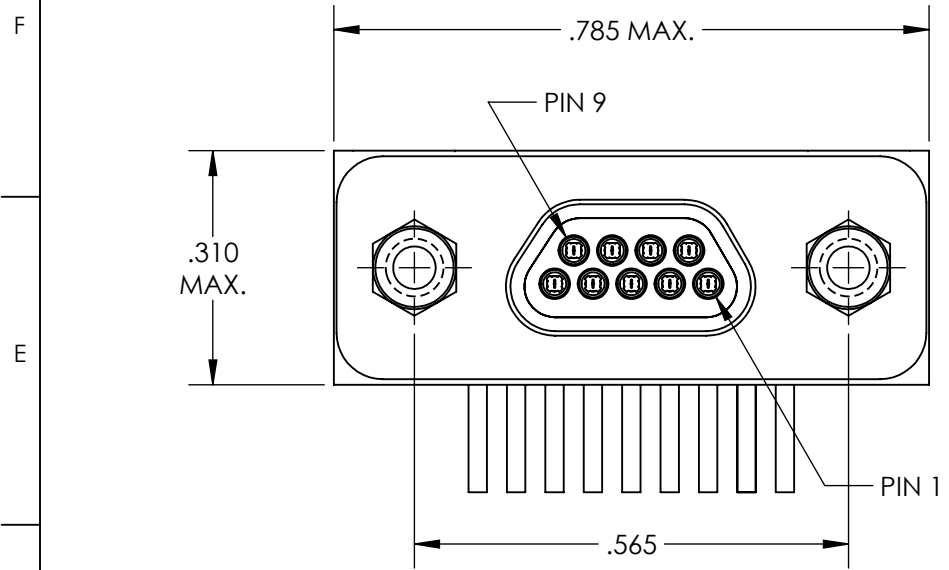


REVISIONS					
PART REV.	DWG. ISSUE	DATE	ECN NO.	APPVD. BY	REL. BY
-	-	12/17/2013	UMI5184	DW	DW



- △5 NUMBERS ARE FOR REFERENCE ONLY AND DO NOT APPEAR ON PART
- 4. PERFORMANCE SPECIFICATIONS:
CURRENT RATING: 3A MAX.
INSULATION RESISTANCE: 5000 MΩ MIN.
DWV: 600 VAC
TEMPERATURE RATING: 125°C
- △3 MATERIALS:
SHELL: 6061-T6 ALUMINUM PER AMS-QQ-A200/8, NICKEL PLATED PER AMS 2404
INSULATOR AND BACKSHELL: PPS PER MIL-M-24519 GST-40F, COLOR: BLK
PIN CONTACTS: C17200 BERYLLIUM COPPER PER ASTM B194, GOLD PLATED PER ASTM B488
24 AWG LEADS: 60/40 TIN/LEAD PLATED COPPER ALLOY
HARDWARE: PASSIVATED STAINLESS STEEL IAW MIL-DTL-83513/5

△2 MARKINGS: UMI, UMI PART NO., AND DATE CODE
1. CONNECTOR ASSEMBLY IS IAW MIL-DTL-83513 UNLESS OTHERWISE SPECIFIED

NOTES: UNLESS OTHERWISE SPECIFIED

QUALITY SYMBOLS CRITICAL MAJOR NO SYMBOL = MINOR DIMENSION	UNLESS SPECIFIED: ALL DIMENSIONS IN INCHES GENERAL TOLERANCES: 3 PLACE ±.005 2 PLACE ±.01 ANGULAR ±2° Ulti-Mate CAGE CODE 58967	SCALE 4:1	DWG SIZE B	THIRD ANGLE PROJECTION	REVISE ON CAD ONLY		
		DRAWN BY & DATE JB 12/04/2013		TITLE MICRO-D CIRCUIT CONNECTOR, PLUG, STYLE 1, SIZE 9 CM1R09P07T-.140-S01L			
		CHECKED BY & DATE DW 12-17-13		MATERIAL	ENG PROJECT # E144		
		APPROVED BY & DATE DW 12-17-13		△3 PART NO. 836111128	DRAWING NO. SD-836111128	SHEET NO. 1 OF 1	
CAD FILENAME SD-836111128.slddrw		PART NO. 836111128		DRAWING NO. SD-836111128		PART REV. -	
THIS DRAWING CONTAINS INFORMATION THAT IS PROPRIETARY TO ULTI-MATE INCORPORATED AND SHOULD NOT BE USED WITHOUT WRITTEN PERMISSION.							