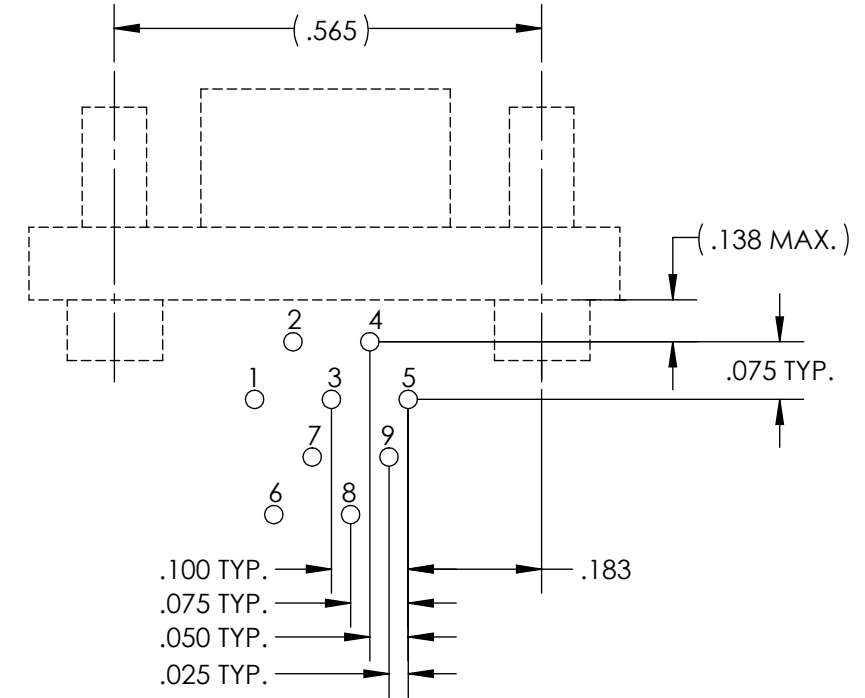
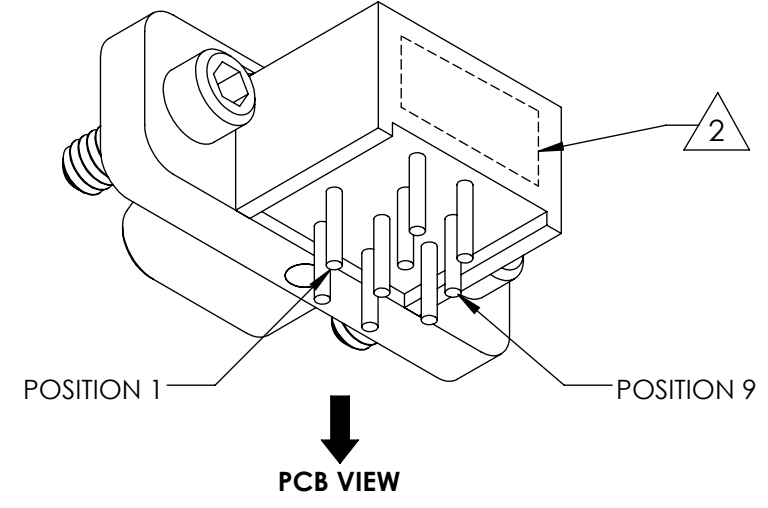
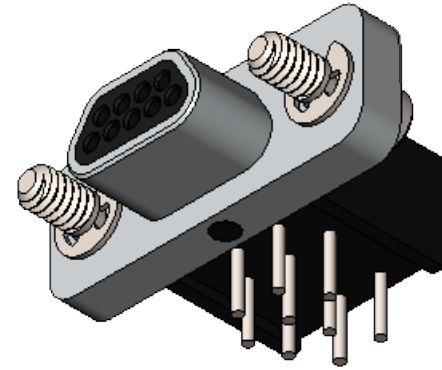
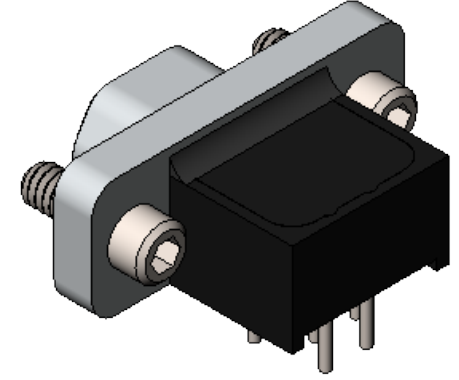
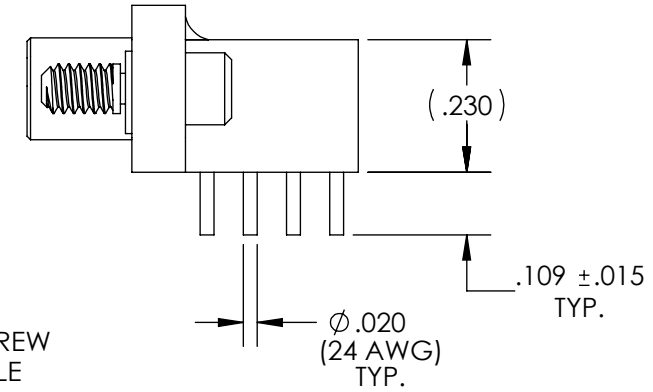
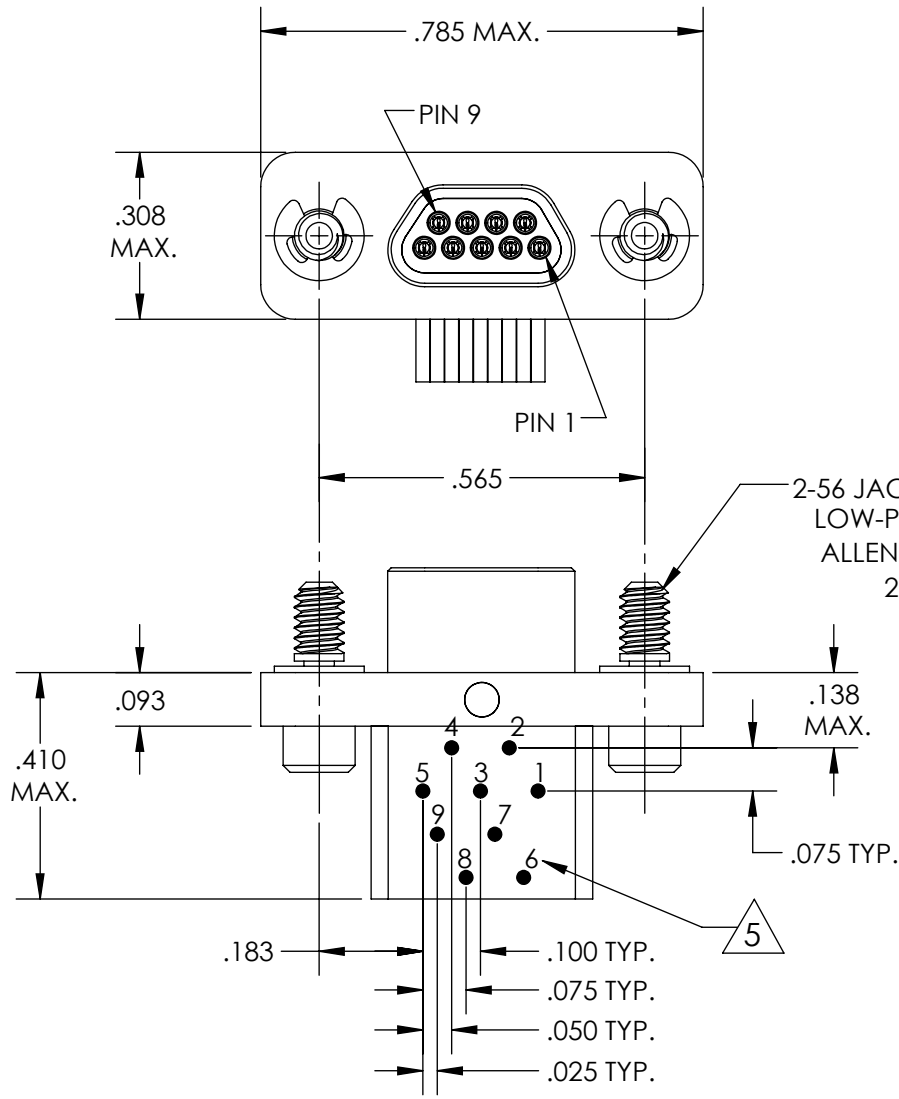


PART REV	DWG ISSUE	DATE	ECN NO.	APPVD BY	REL BY
-	-	4/6/18	UMI6721	DW	DW

F
E
D
C
B
A



RECOMMENDED PCB LAYOUT

- 6. CONTACT HEIGHTS ARE TO BE PER QA-STD-101.
- 5 NUMBERS, (LEAD LOCATIONS), ARE SHOWN FOR REFERENCE ONLY AND DO NOT APPEAR ON ACTUAL PART.
- 4. PERFORMANCE SPECIFICATIONS:
CURRENT RATING: 3 AMPS MAX.
DWV: 600 VAC
TEMPERATURE RATING: 125° C
- 3 MATERIALS:
SHELL: 6061-T6 ALUMINUM PER AMS-QQ-A200/8, NICKEL PLATED PER AMS-2404
INSULATOR AND BACKSHELL: PPS PER MIL-M-24519 GST-40F, COLOR: BLACK
PIN CONTACTS: C17200 BERYLLIUM COPPER PER ASTM B194, GOLD PLATED PER ASTM B488
24 AWG LEADS: TIN PLATED COPPER ALLOY PER A-A-59551, TYPE S
HARDWARE: PASSIVATED STAINLESS STEEL IAW MIL-DTL-83513/5
- 2 MARKING: "UMI", DATE CODE, UMI PART NUMBER, UMI WORK ORDER NUMBER

1. CONNECTOR ASSEMBLY IS IAW MIL-DTL-83513 UNLESS OTHERWISE SPECIFIED.

NOTES: UNLESS OTHERWISE SPECIFIED.

QUALITY SYMBOLS	UNLESS OTHERWISE SPECIFIED; ALL DIMENSIONS ARE IN INCHES	SCALE 3 : 1	DWG SIZE B	THIRD ANGLE PROJECTION	REVISE ON CAD ONLY
CRITICAL C	GENERAL TOLERANCES: 3 PLACES ±.005 2 PLACES ±.01 ANGULAR ±2°	DRAWN BY & DATE DU 4/6/18	TITLE: MICRO-D CIRCUIT CONNECTOR, CM18R09P02-S01, NICKEL PLATED SHELL		
MAJOR ▲	ULTI-MATE CAGE CODE 58967	CHECKED BY & DATE DW 4/6/18	MATERIAL: 3	ENG PROJECT #: NONE	
NO SYMBOLS = MINOR DIMENSIONS		APPROVED BY & DATE DW 4/6/18	PART NO. 836111012	DRAWING NO. SD-836111012	
		CAD FILE NAME SD-836111012.sliddrw	PART NO. 836111012	DRAWING NO. SD-836111012	SHEET NO. 1 of 1
THIS DRAWING CONTAINS INFORMATION THAT IS PROPRIETARY TO ULTI-MATE INCORPORATED AND SHOULD NOT BE USED WITHOUT WRITTEN PERMISSION.					