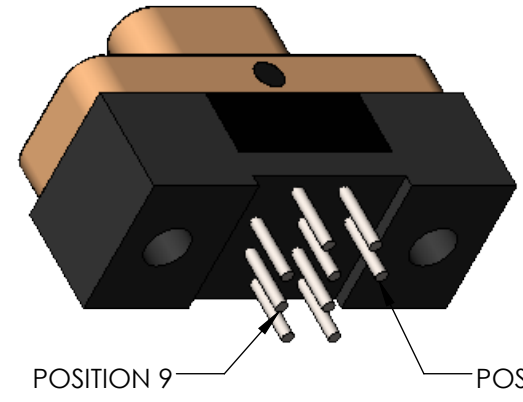
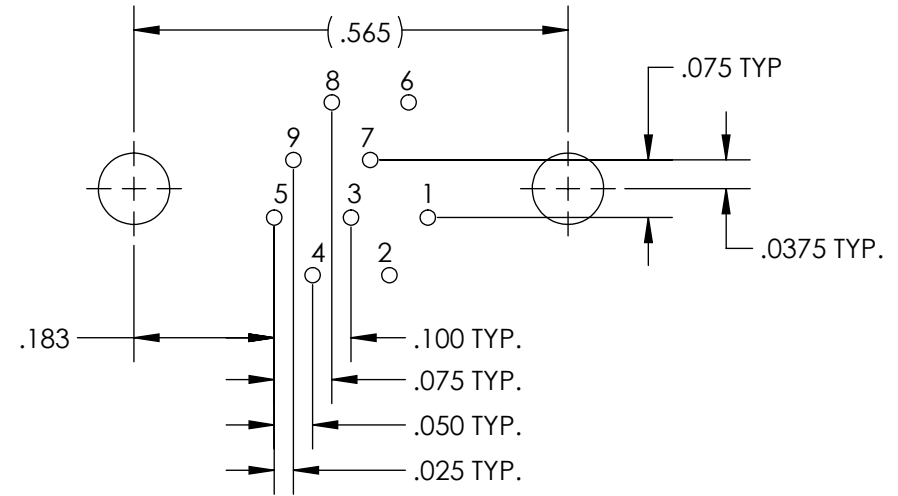


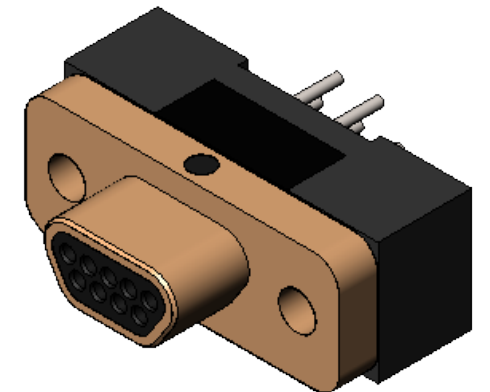
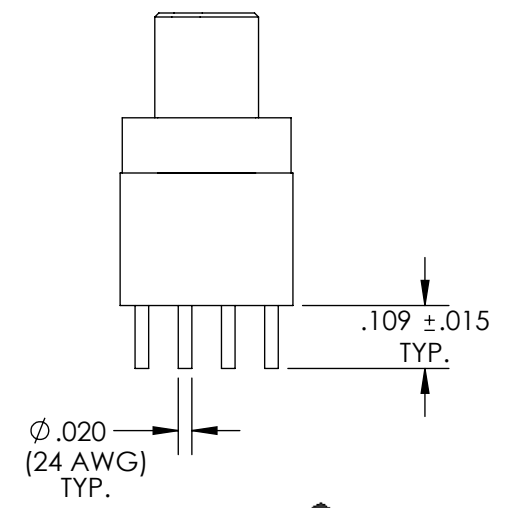
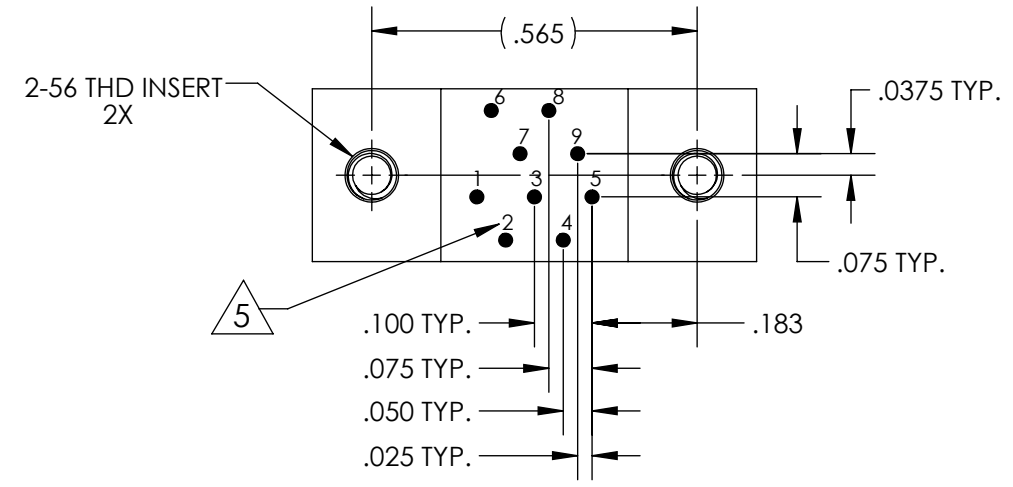
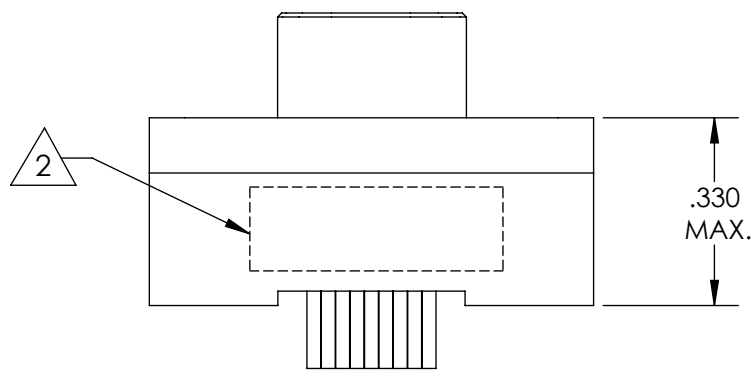
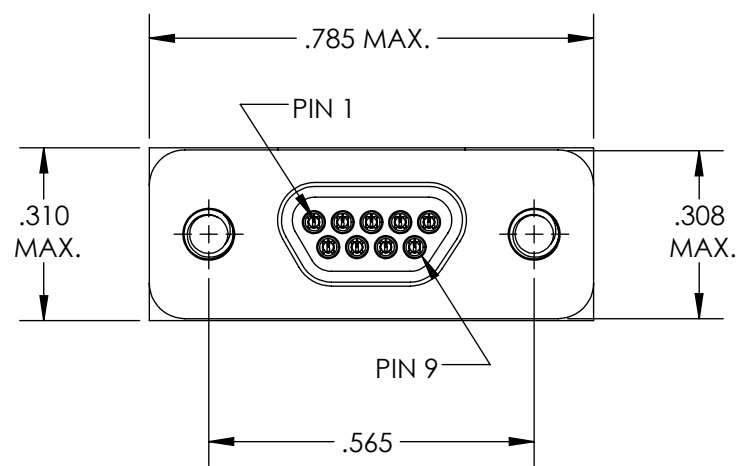
PART REV	DWG ISSUE	DATE	ECN NO.	APPVD BY	REL BY
-	-	4/5/18	UMI6721	DW	DW



PCB VIEW



**RECOMMENDED PCB LAYOUT**



6. CONTACT HEIGHTS ARE TO BE PER QA-STD-101.

5 NUMBERS, (LEAD LOCATIONS), ARE SHOWN FOR REFERENCE ONLY AND DO NOT APPEAR ON ACTUAL PART.

4. PERFORMANCE SPECIFICATIONS:  
CURRENT RATING: 3 AMPS MAX.  
DWV: 600 VAC  
TEMPERATURE RATING: 125° C

3 MATERIALS:  
SHELL: 6061-T6 ALUMINUM PER AMS-QQ-A200/8, CADMIUM PLATED PER AMS-QQ-P-416  
INSULATOR AND BACKSHELL: PPS PER MIL-M-24519 GST-40F, COLOR: BLACK  
PIN CONTACTS: C17200 BERYLLIUM COPPER PER ASTM B194, GOLD PLATED PER ASTM B488  
24 AWG LEADS: TIN PLATED COPPER ALLOY PER A-A-59551, TYPE S  
HARDWARE: PASSIVATED STAINLESS STEEL, 300 SERIES

2 MARKING: "UMI", DATE CODE, UMI PART NUMBER, UMI WORK ORDER NUMBER

1. CONNECTOR ASSEMBLY IS IAW MIL-DTL-83513 UNLESS OTHERWISE SPECIFIED.

**NOTES: UNLESS OTHERWISE SPECIFIED.**

QUALITY SYMBOLS CRITICAL MAJOR NO SYMBOLS = MINOR DIMENSIONS	UNLESS OTHERWISE SPECIFIED: ALL DIMENSIONS ARE IN INCHES	SCALE <b>3 : 1</b>	DWG SIZE <b>B</b>	THIRD ANGLE PROJECTION	REVISE ON CAD ONLY	
	GENERAL TOLERANCES:  3 PLACES ±.005 2 PLACES ±.01 ANGULAR ±2°	DRAWN BY & DATE <b>DU 4/5/18</b>	TITLE: <b>MICRO-D CIRCUIT CONNECTOR, CM6R09P0T, CADMIUM PLATED SHELL</b>			
		CHECKED BY & DATE <b>DW 4/5/18</b>	MATERIAL: 3	ENG PROJECT #: <b>NONE</b>		
		APPROVED BY & DATE <b>DW 4/5/18</b>	PART NO. <b>836110619</b>	DRAWING NO. <b>SD-836110619</b>	SHEET NO. <b>1 of 1</b>	
	ULTI-MATE CAGE CODE <b>58967</b>	CAD FILE NAME <b>SD-836110619.slidrw</b>	THIS DRAWING CONTAINS INFORMATION THAT IS PROPRIETARY TO ULTI-MATE INCORPORATED AND SHOULD NOT BE USED WITHOUT WRITTEN PERMISSION.			