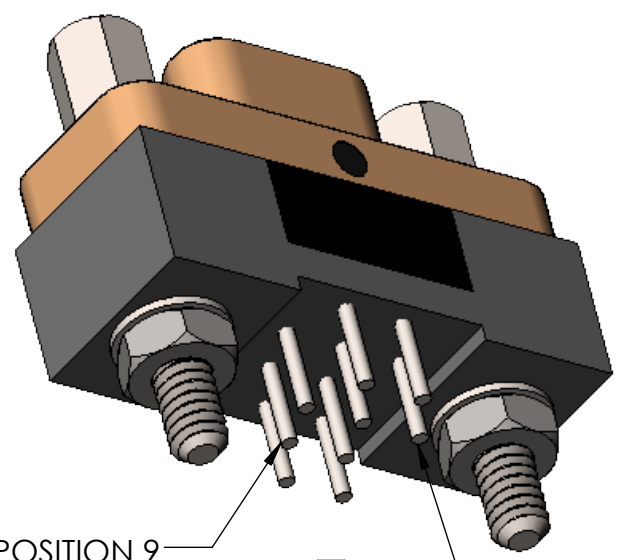
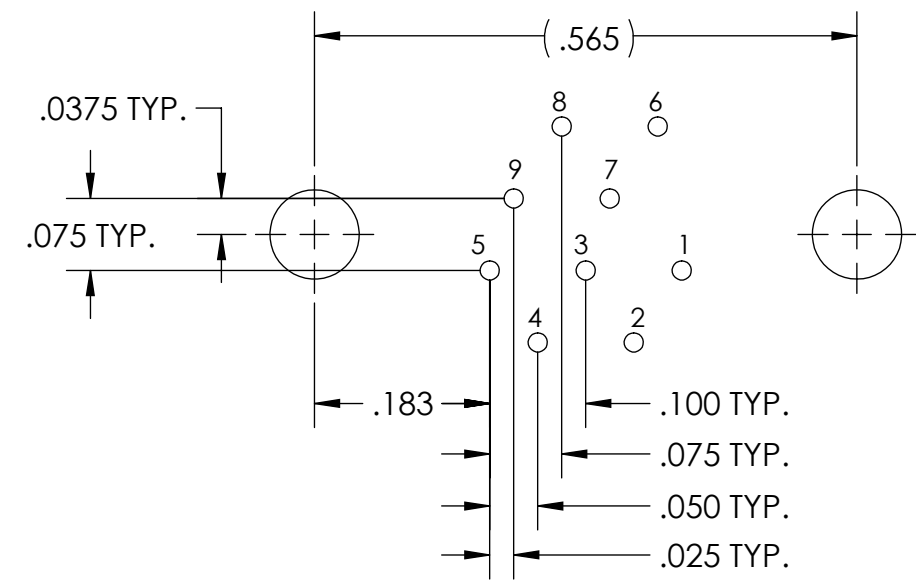


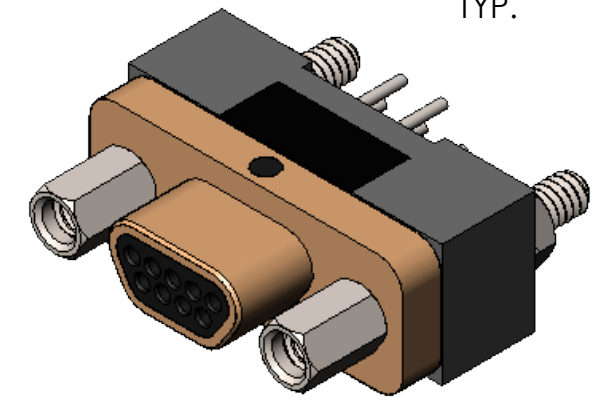
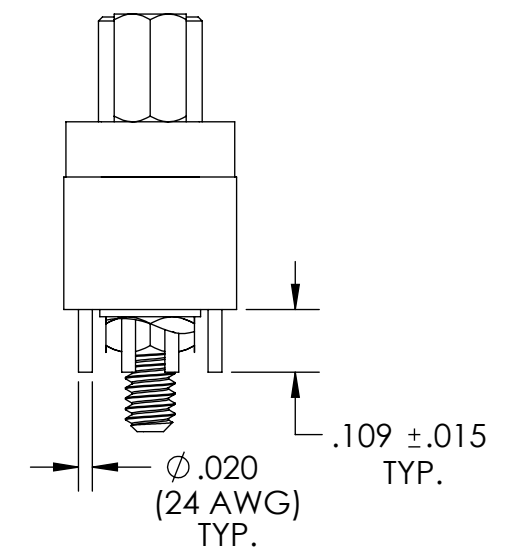
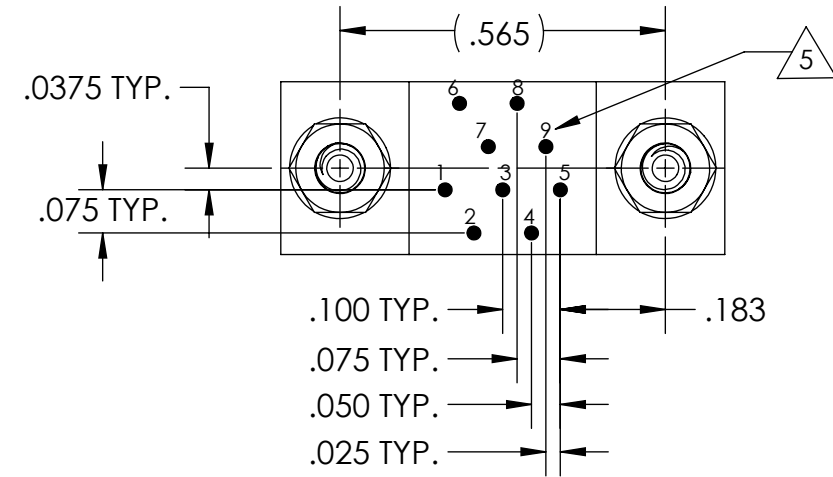
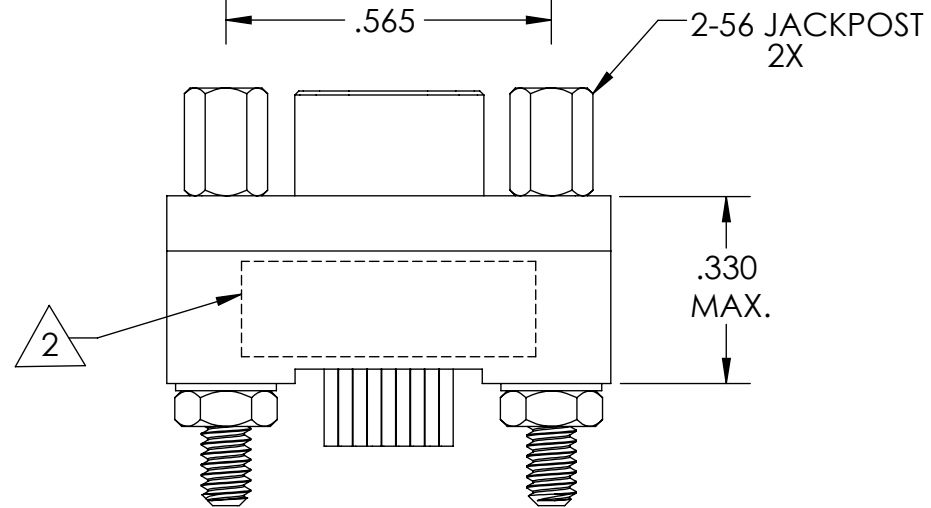
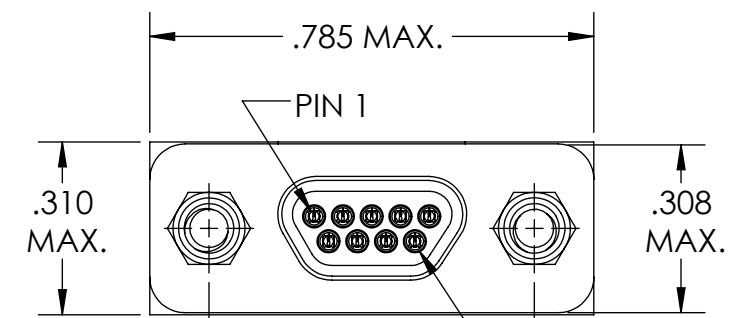
| PART REV | DWG ISSUE | DATE | ECN NO. | APPVD BY | REL BY |
|----------|-----------|---------|-------------|----------|--------|
| - | A | 12/8/99 | UM2000-0377 | DW | DW |
| A | B | 4/3/12 | UMI4597 | DW | DW |
| A | C | 8/2/17 | UMI6456 | DW | DW |



POSITION 9
PCB VIEW
 POSITION 1



RECOMMENDED PCB LAYOUT



5 NUMBERS ARE REFERENCE ONLY AND DO NOT APPEAR ON ACTUAL ASSEMBLY.

4. PERFORMANCE SPECIFICATIONS:
 CURRENT RATING: 3 AMPS MAX.
 DWV: 600 VAC
 TEMPERATURE RATING: 125° C

3 MATERIALS:
 SHELL: 6061-T6 ALUMINUM PER AMS-QQ-A200/8, CADMIUM PLATED PER AMS-QQ-P-416
 INSULATOR/BACKSHELL: PPS PER MIL-M-24519 GST-40F, COLO: BLACK
 PIN CONTACTS: C17200 BERYLLIUM COPPER PER ASTM B194, GOLD PLATED PER ASTM B488
 24 AWG LEADS: TIN PLATED COPPER ALLOY PER A-A-59551, TYPE S
 HARDWARE: PASSIVATED STAINLESS STEEL IAW MIL-DTL-83513/5

2 MARKING: "UMI", DATE CODE, UMI PART NUMBER, UMI WORK ORDER NUMBER

1. CONNECTOR ASSEMBLY IS IAW MIL-DTL-83513 UNLESS OTHERWISE SPECIFIED.

NOTES: UNLESS OTHERWISE SPECIFIED.

| | | | | | | | |
|--|---|--------------------------------------|---|------------------------|--------------------|----------------|------------------------|
| QUALITY SYMBOLS CRITICAL MAJOR NO SYMBOLS = MINOR DIMENSIONS | UNLESS OTHERWISE SPECIFIED: ALL DIMENSIONS ARE IN INCHES | SCALE 3 : 1 | DWG SIZE B | THIRD ANGLE PROJECTION | REVISE ON CAD ONLY | | |
| | GENERAL TOLERANCES: 3 PLACES ±.005 2 PLACES ±.01 ANGULAR ±2° | DRAWN BY & DATE DU 8/2/17 | TITLE: MICRO-D CIRCUIT CONNECTOR, PLUG, SIZE 9, STYLE 6, JACKPOST, CADMIUM PLATED, CM6R09P07 | | | MATERIAL: 3 | ENG PROJECT #: NONE |
| | ULTI-MATE CAGE CODE 58967 | CHECKED BY & DATE DW 8/2/17 | MATERIAL: 3 | | | | |
| | | APPROVED BY & DATE DW 8/2/17 | PART NO. 836110617 | | | PART REV. A | |
| | | CAD FILE NAME SD-836110617.SLDDRW | DRAWING NO. SD-836110617 | | | | |
| THIS DRAWING CONTAINS INFORMATION THAT IS PROPRIETARY TO ULTI-MATE INCORPORATED AND SHOULD NOT BE USED WITHOUT WRITTEN PERMISSION. | | | | | | | |

