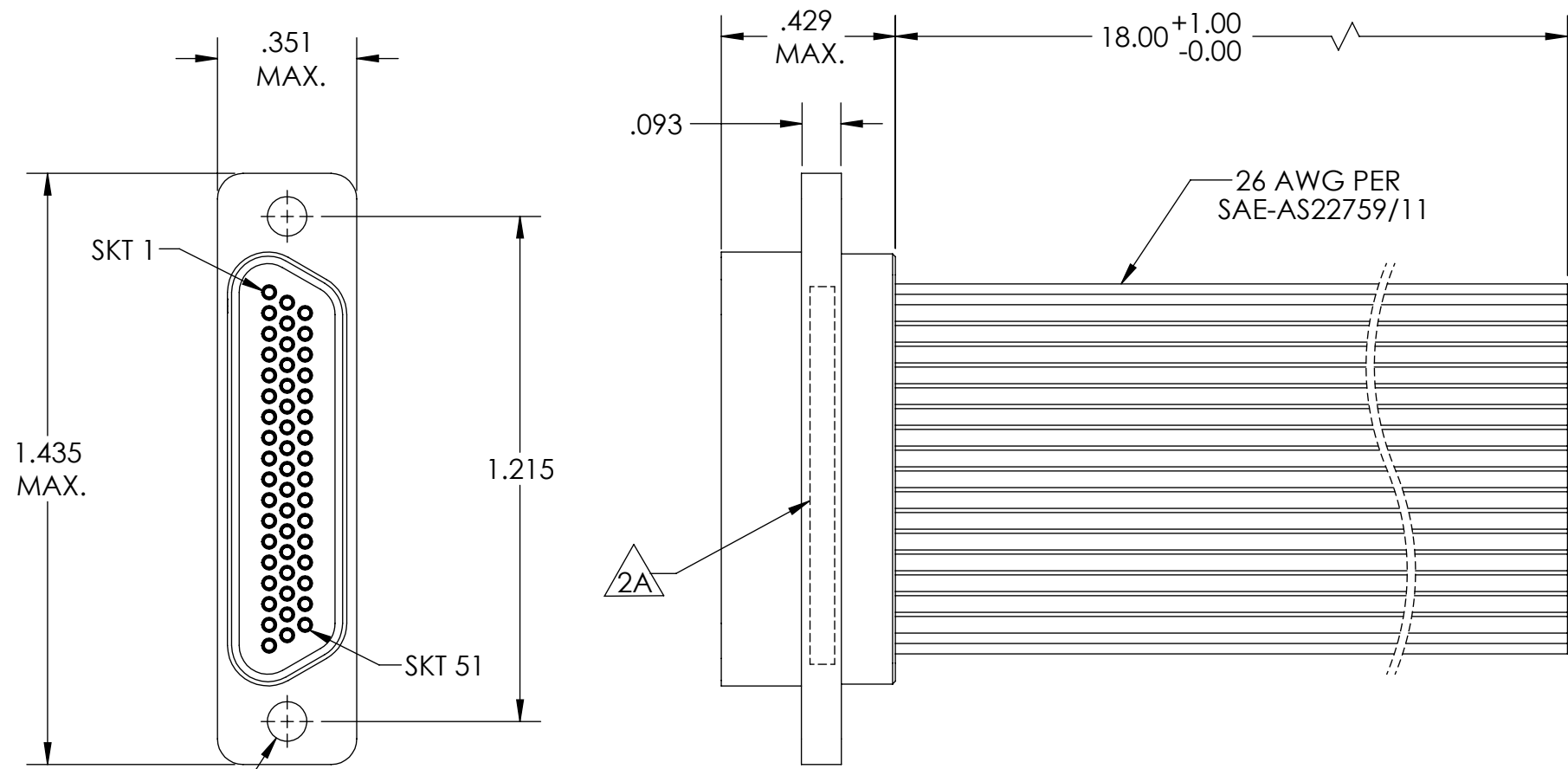
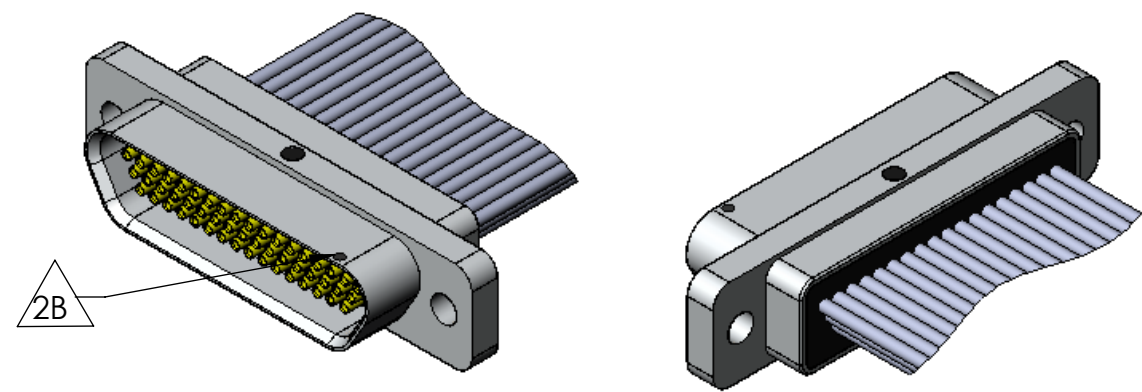


PART REV	DWG ISSUE	DATE	ECN NO.	APPVD BY	REL BY
-	-	9/2/16	UMI6079	DW	DW

F  
E  
D  
C  
B  
A



1	BLK	26	GRN
2	BRN	27	BLU
3	RED	28	VIO
4	ORG	29	GRY
5	YEL	30	WHT
6	GRN	31	BLK
7	BLU	32	BRN
8	VIO	33	RED
9	GRY	34	ORG
10	WHT	35	YEL
11	BLK	36	GRN
12	BRN	37	BLU
13	RED	38	VIO
14	ORG	39	GRY
15	YEL	40	WHT
16	GRN	41	BLK
17	BLU	42	BRN
18	VIO	43	RED
19	GRY	44	ORG
20	WHT	45	YEL
21	BLK	46	GRN
22	BRN	47	BLU
23	RED	48	VIO
24	ORG	49	GRY
25	YEL	50	WHT
		51	BLK



4. PERFORMANCE SPECIFICATIONS:  
 CURRENT RATING: 3 AMPS MAX.  
 INSULATION RESISTANCE: 5000 MEGOHMS MIN.  
 DWV: 600 VAC  
 TEMPERATURE RATING: 125° C

3 MATERIALS:  
 SHELL: 6061-T6 ALUMINUM PER AMS-QQ-A200/8, NICKEL PLATED PER AMS-2404  
 INSULATOR: PPS PER MIL-M-24519 GST-40F, COLOR: BLACK  
 SOCKET CONTACTS: C21000 COPPER ALLOY PER ASTM B36, GOLD PLATED PER ASTM B488  
 WIRE: 26 AWG PER SAE-AS27759/11-26, COLOR CODE: REPEATING 10 COLORS PER MIL-STD-681  
 INTERFACIAL SEAL: FLUOROSILICONE PER MIL-R-25988

2. MARKING:  
 2A "UMI", DATE CODE, M83513/04-G03N, AND WORK ORDER NO.  
 2B A DOT INDICATING POSITION 1

1. CONNECTOR ASSEMBLY IS IAW MIL-DTL-83513 UNLESS OTHERWISE SPECIFIED.  
**NOTES: UNLESS OTHERWISE SPECIFIED.**

QUALITY SYMBOLS CRITICAL C MAJOR NO SYMBOLS = MINOR DIMENSIONS	UNLESS OTHERWISE SPECIFIED: ALL DIMENSIONS ARE IN INCHES	SCALE: NONE DWG SIZE: B	THIRD ANGLE PROJECTION	REVISE ON CAD ONLY		
	GENERAL TOLERANCES: 3 PLACES ±.005 2 PLACES ±.01 ANGULAR ±2°	DRAWN BY & DATE: DU 9/2/16	TITLE: MICRO-D CONNECTOR ASSEMBLY, MIL-DTL-83513/04-G03N, MR51-3S0-26M6-18.00, NICKEL PLT SHELL			
	ULTI-MATE CAGE CODE: 58967	CHECKED BY & DATE: DW 9/2/16	MATERIAL: 3	ENG PROJECT #: NONE		
		APPROVED BY & DATE: DW 9/2/16	PART NO.: 835271030	DRAWING NO.: SD-835271030	SHEET NO.: 1 of 1	
		CAD FILE NAME: SD-835271030.SLDDRW	THIS DRAWING CONTAINS INFORMATION THAT IS PROPRIETARY TO ULTI-MATE INCORPORATED AND SHOULD NOT BE USED WITHOUT WRITTEN PERMISSION.			