

REVISIONS

PART REV.	DWG. ISSUE	DATE	ECN NO.	APPVD. BY	REL. BY
-	-	12/17/2015	UMI5837	DW	DW

F

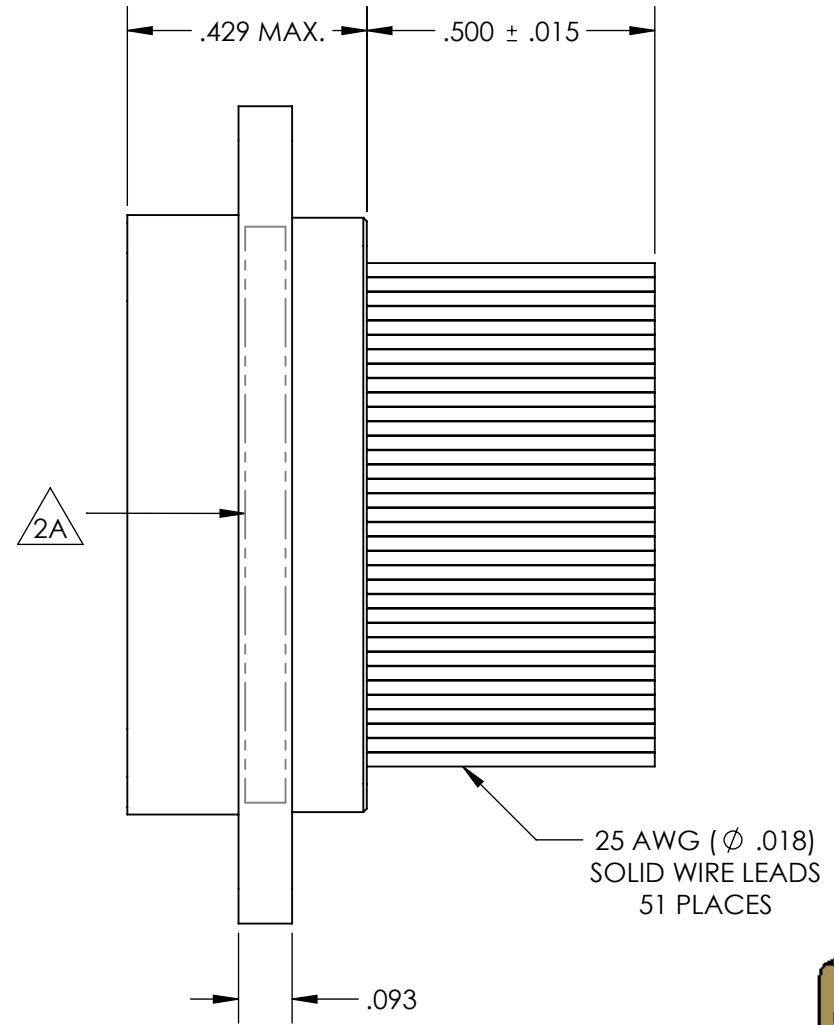
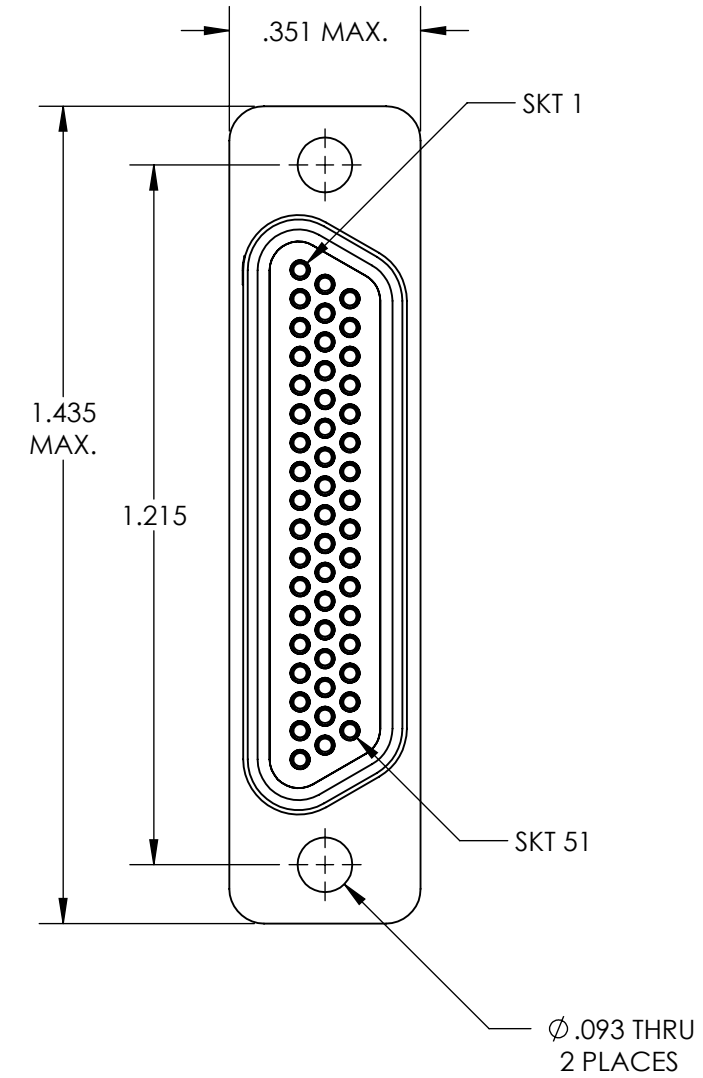
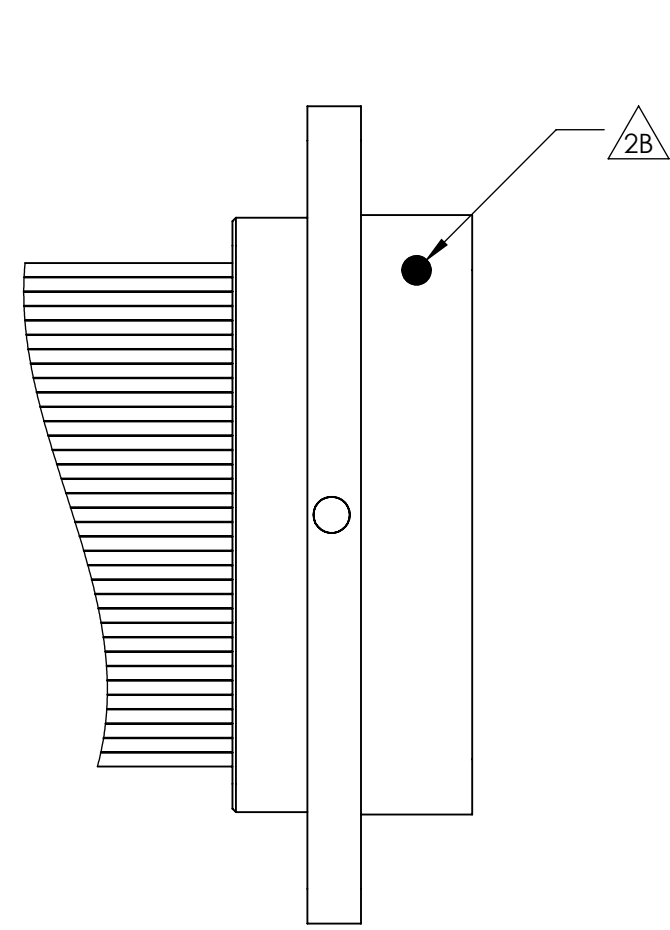
E

D

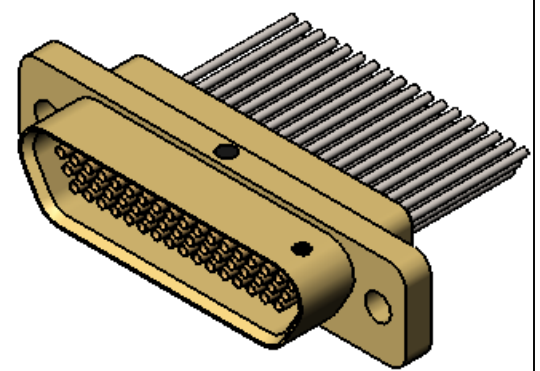
C

B

A



25 AWG (Ø .018)  
SOLID WIRE LEADS  
51 PLACES



4. PERFORMANCE SPECIFICATIONS: MEETS OR EXCEEDS REQUIREMENTS OF MIL-DTL-83513

3 MATERIALS:  
 SHELL: 6061-T6 ALUMINUM PER AMS-QQ-A200/8, CADMIUM PLATED PER AMS-QQ-P-416  
 INSULATOR: PPS PER MIL-M-24519 GST-40F, COLOR: BLK  
 SOCKET CONTACTS: C21000 BRASS ALLOY PER ASTM B36, GOLD PLATED PER ASTM B488  
 25 AWG LEADS: 60/40 TIN/LEAD PLATED COPPER ALLOY

2. MARKINGS: 2A "UMI", DATE CODE, AND "M83513/04-G07C"

2B BLACK DOT INDICATING POSITION 1

1. CONNECTOR ASSEMBLY IS IAW MIL-DTL-83513 UNLESS OTHERWISE SPECIFIED

**NOTES: UNLESS OTHERWISE SPECIFIED**

QUALITY SYMBOLS CRITICAL  MAJOR  NO SYMBOL = MINOR DIMENSION	<b>UNLESS SPECIFIED:</b> ALL DIMENSIONS IN INCHES GENERAL TOLERANCES: 3 PLACE ±.005 2 PLACE ±.01 ANGULAR ±2° ALL EXTERNAL SPECIFICATIONS REFERENCED ON THIS DRAWING SHALL BE THE LATEST REVISION IN EFFECT Ulti-Mate CAGE CODE <b>58967</b>	SCALE <b>3:1</b> DWG SIZE <b>B</b>	 THIRD ANGLE PROJECTION <b>REVISE ON CAD ONLY</b>	TITLE MIL-SPEC MICRO-D WIRED CONNECTOR, RECEPTACLE (SOCKETS), 3 ROW, 51 POSITION, W/0.500 25 AWG LEADS M83513/04-G07C	MATERIAL 3	ENG PROJECT # 	PART NO. 835270070	DRAWING NO. SD-835270070	SHEET NO. <b>1 OF 1</b>
	DRAWN BY & DATE JB 12/17/2015	CHECKED BY & DATE DW 12-18-15	APPROVED BY & DATE DW 12-18-15	CAD FILENAME SD-835270070.slddrw	THIS DRAWING CONTAINS INFORMATION THAT IS PROPRIETARY TO ULTI-MATE INCORPORATED AND SHOULD NOT BE USED WITHOUT WRITTEN PERMISSION.	PART REV. -			