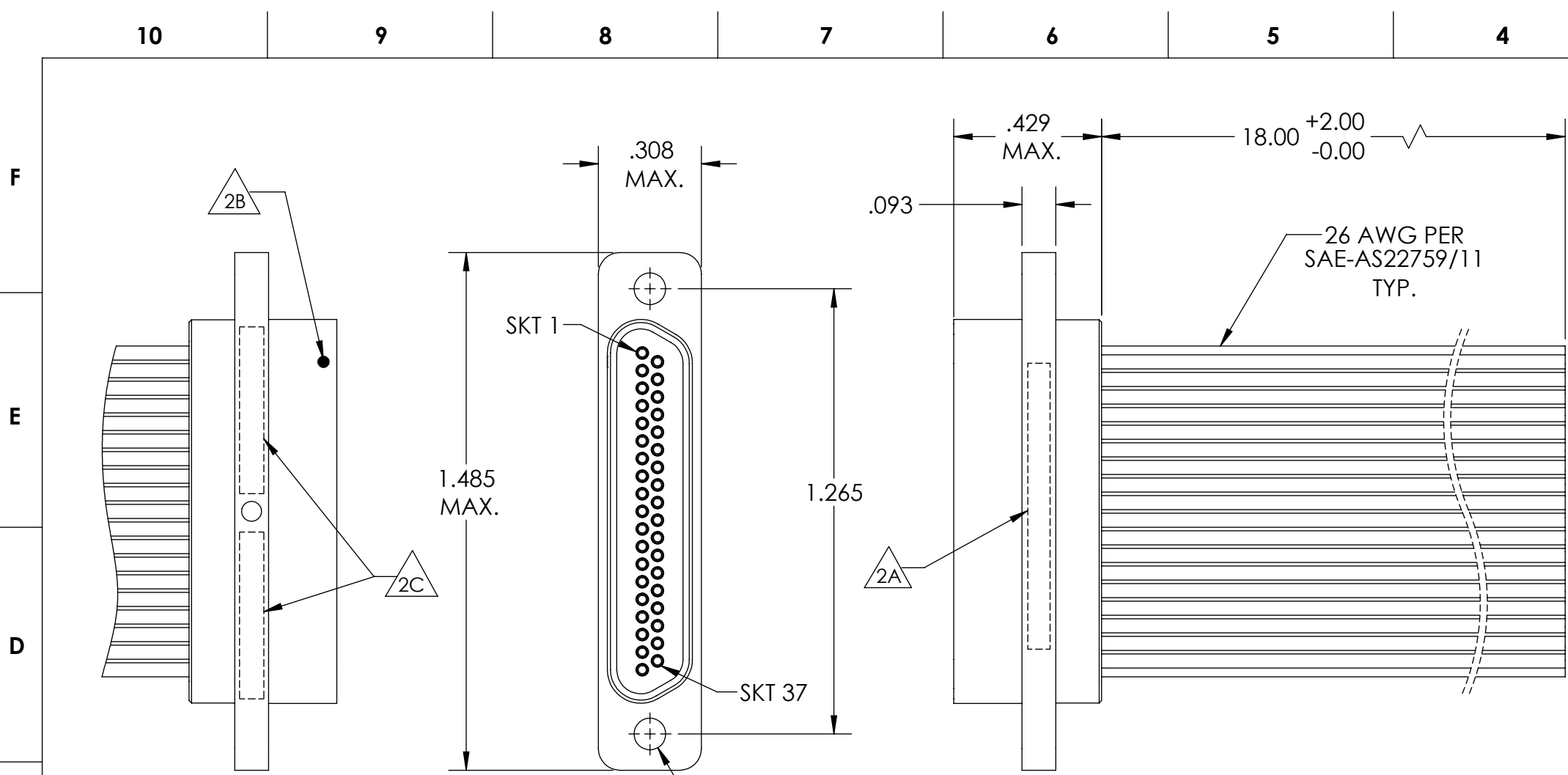
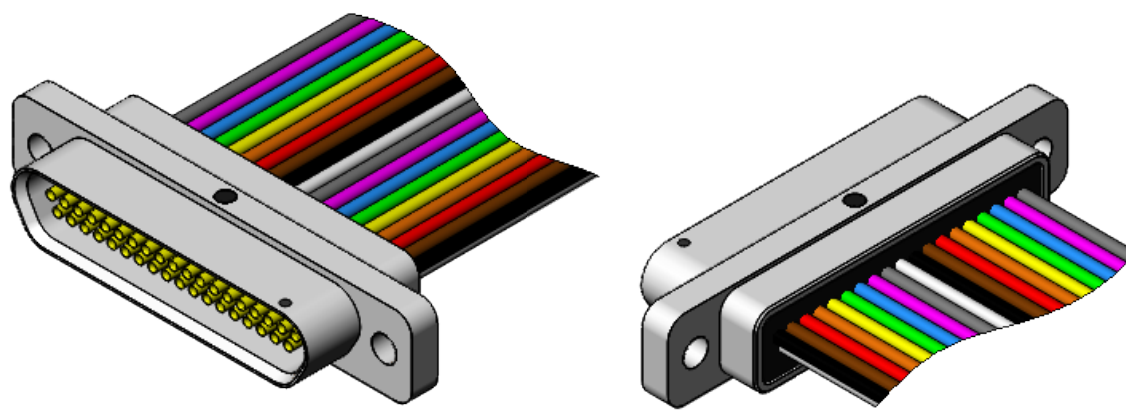


PART REV	DWG ISSUE	DATE	ECN NO.	APPVD BY	REL BY
-	-	4/25/19	UMI7127	DU	DW



1	BLK	20	WHT
2	BRN	21	BLK
3	RED	22	BRN
4	ORG	23	RED
5	YEL	24	ORG
6	GRN	25	YEL
7	BLU	26	GRN
8	VIO	27	BLU
9	GRY	28	VIO
10	WHT	29	GRY
11	BLK	30	WHT
12	BRN	31	BLK
13	RED	32	BRN
14	ORG	33	RED
15	YEL	34	ORG
16	GRN	35	YEL
17	BLU	36	GRN
18	VIO	37	BLU
19	GRY		



- 5. CONTACT HEIGHTS ARE TO BE PER QA-STD-101.
- 4. PERFORMANCE SPECIFICATIONS:  
CURRENT RATING: 3 AMP MAX.  
DWV: 600 VAC  
TEMPERATURE RATING: -55°C TO 125°C

**3** MATERIALS:  
SHELL: 6061-T6 ALUMINUM PER AMS-QQ-A200/8, NICKEL PLATED PER AMS-2404  
INSULATOR: PPS PER MIL-M-24519 GST-40F, COLOR: BLACK  
SOCKET CONTACTS: C21000 COPPER ALLOY PER ASTM B36, GOLD PLATED PER ASTM B488  
WIRES: 26 AWG PER SAE-AS22759/11, COLOR CODE PER MIL-STD-681, REPEATING 10 COLORS  
INTERFACIAL SEAL: FLUOROSILICONE PER MIL-R-25988

- 2. MARKING: **2A** M83513/04-F03N  
**2B** A DOT INDICATING POSITION 1  
**2C** "UMI", DATE CODE, UMI WORK ORDER NUMBER

1. CONNECTOR ASSEMBLY IS IAW MIL-DTL-83513 UNLESS OTHERWISE SPECIFIED.

**NOTES: UNLESS OTHERWISE SPECIFIED.**

QUALITY SYMBOLS CRITICAL <b>C</b> MAJOR <b>▼</b> NO SYMBOLS = MINOR DIMENSIONS	UNLESS OTHERWISE SPECIFIED: ALL DIMENSIONS ARE IN INCHES	SCALE <b>NONE</b>	DWG SIZE <b>B</b>	THIRD ANGLE PROJECTION	<b>REVISE ON CAD ONLY</b>	
	GENERAL TOLERANCES:  3 PLACES ±.005 2 PLACES ±.01 ANGULAR ±2°	DRAWN BY & DATE <b>DU 4/25/19</b>		TITLE: <b>MIL SPEC MICRO-D CONNECTOR ASSEMBLY, MIL-DTL-83513/04-F03N, (MR37S0-26M6-18.0-S01)</b>		
	ULTI-MATE CAGE CODE <b>58967</b>	CHECKED BY & DATE <b>DW 4/25/19</b>		MATERIAL: <b>3</b>		ENG PROJECT #: <b>NONE</b>
		APPROVED BY & DATE <b>DW 4/25/19</b>		PART NO. <b>835261030</b>		DRAWING NO. <b>SD-835261030</b>
		CAD FILE NAME <b>SD-835261030.sliddrw</b>		SHEET NO. <b>1 of 1</b>		PART REV. <b>-</b>

THIS DRAWING CONTAINS INFORMATION THAT IS PROPRIETARY TO ULTI-MATE INCORPORATED AND SHOULD NOT BE USED WITHOUT WRITTEN PERMISSION.

