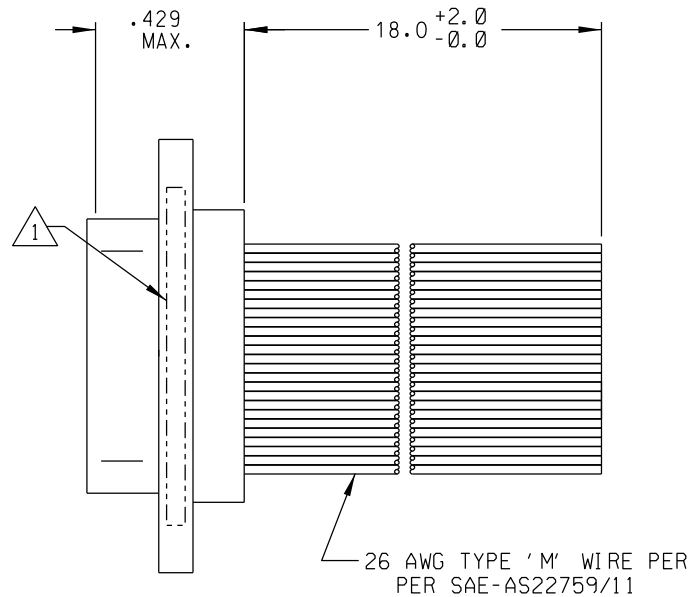
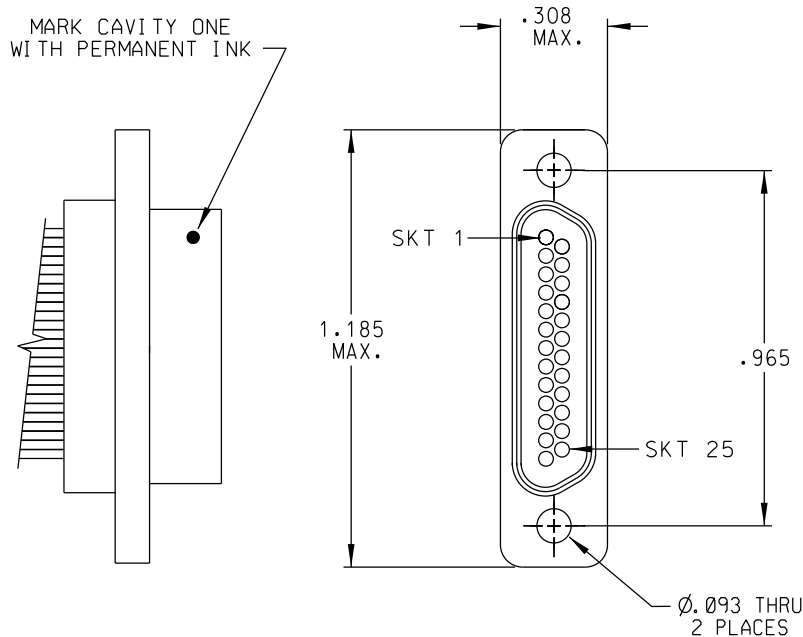


PART REV	DWG ISSUE	DATE	ECN NO.	APPVD BY	REL BY
-	-	6-9-14	UM15339	DW	DW

MARK CAVITY ONE WITH PERMANENT INK



1	BLK
2	BRN
3	RED
4	ORG
5	YEL
6	GRN
7	BLU
8	VIO
9	GRY
10	WHT
11	BLK
12	BRN
13	RED
14	ORG
15	YEL
16	GRN
17	BLU
18	VIO
19	GRY
20	WHT
21	BLK
22	BRN
23	RED
24	ORG
25	YEL

3. PERFORMANCE SPECIFICATIONS:
 CURRENT RATING: 3A MAX
 INSULATION RESISTANCE: 5000 MEGOHMS MIN
 DWV: 600 VAC
 TEMPERATURE RATING: 125°C

2 MATERIALS:
 SHELL: 6061-T6 ALUMINUM PER AMS-QQ-A200/8,
 NICKEL PLATED PER AMS 2404
 INSULATOR: PPS PER MIL-M-24519 GST-40F, COLOR: BLACK
 SOCKET CONTACTS: C21000 BRASS ALLOY PER ASTM B36,
 GOLD PLATED PER ASTM B488
 INTERFACIAL SEAL: FLOUROSILICONE PER MIL-R-25988

1 MARKING: UMI, DATE CODE, UMI P/N "M83513/04-D03C".

NOTES: UNLESS OTHERWISE SPECIFIED.

QUALITY SYMBOLS CRITICAL MAJOR NO SYMBOL = MINOR DIMENSION	UNLESS SPECIFIED: ALL DIMENSIONS IN INCHES GENERAL TOLERANCES: 3 PLACE ±.005 2 PLACE ±.01 ANGULAR ±2°	SCALE: NONE DWG SIZE: B DRAWN BY & DATE: DW 6-9-14 CHECKED BY & DATE: SEE ECN APPROVED BY & DATE: SEE ECN	THIRD ANGLE PROJECTION REVISE ON CAD ONLY TITLE: MICRO-D RECEPTACLE, MIL-SPEC, 25 SKT, 26 AWG WIRE, 18.0 IN LONG, M83513/04-D03C MATERIAL:	
	ALL EXTERNAL SPECIFICATIONS REFERENCED ON THIS DRAWING SHALL BE TO THE LATEST REVISION IN EFFECT Ulti-Mate CAGE CODE 58967	CAD FILENAME: SD-835240030.DGN PART NO.: 835240030 DRAWING NO.: SD-835240030	SHEET NO.: 1 OF 1 PART REV: -	Uti-Mate Connector Inc.
	THIS DRAWING CONTAINS INFORMATION THAT IS PROPRIETARY TO ULTI-MATE INCORPORATED AND SHOULD NOT BE USED WITHOUT WRITTEN PERMISSION.			Uti-Mate Connector Inc.
	THIS DRAWING CONTAINS INFORMATION THAT IS PROPRIETARY TO ULTI-MATE INCORPORATED AND SHOULD NOT BE USED WITHOUT WRITTEN PERMISSION.			Uti-Mate Connector Inc.