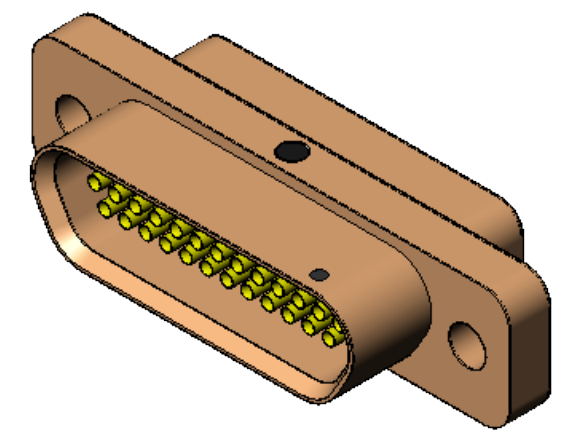
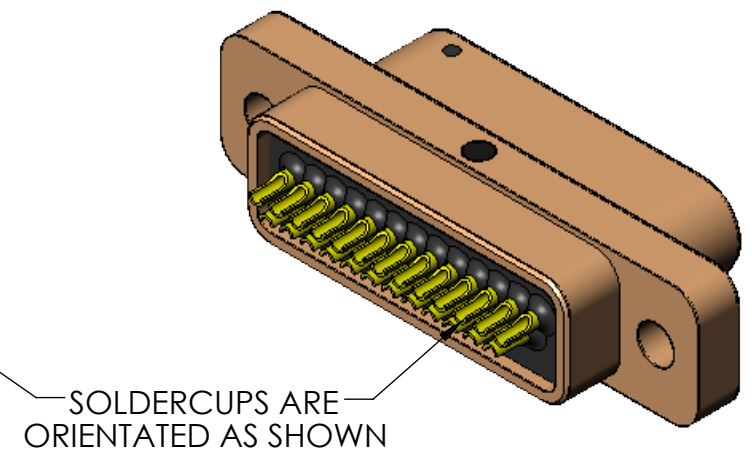
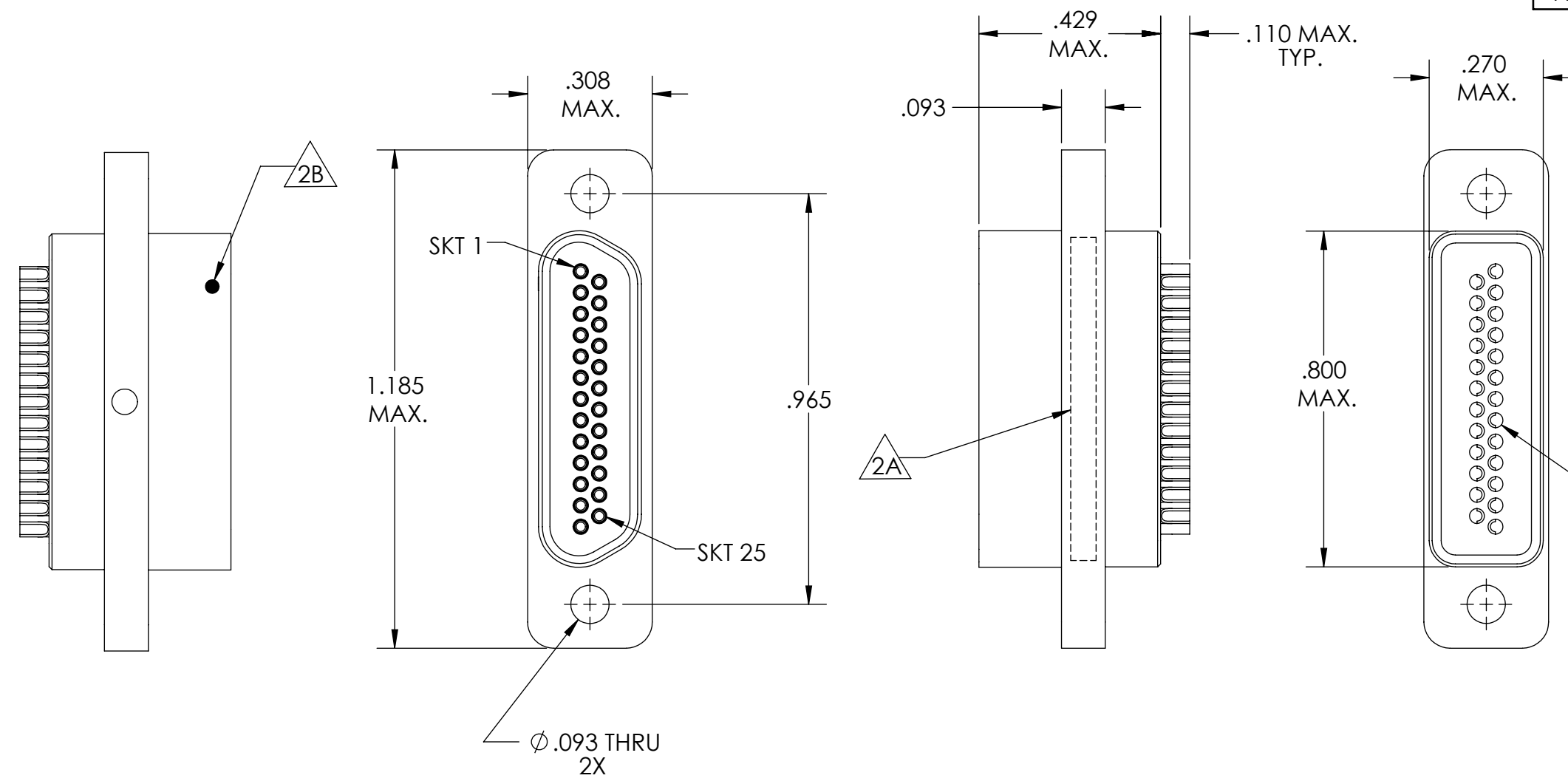


| PART REV | DWG ISSUE | DATE | ECN NO. | APPVD BY | REL BY |
|----------|-----------|----------|---------|----------|--------|
| - | - | 6/4/13 | UMI4986 | DW | DW |
| A | A | 12/19/17 | UMI6589 | DW | DW |

F
E
D
C
B
A



4. PERFORMANCE SPECIFICATIONS:
 CURRENT RATING: 3 AMPS MAX.
 INSULATION RESISTANCE: 5000 MEGOHMS MIN.
 DWV: 600 VAC
 TEMPERATURE RATING: 125°C

3 MATERIALS:
 SHELL: 6061-T6 ALUMINUM PER AMS-QQ-A200/8, CADMIUM PLATED PER AMS-QQ-P-416
 INSULATOR: PPS PER MIL-M-24519 GST-40F, COLOR: BLACK
 SOCKET SOLDERCUP CONTACTS: C21000 COPPER ALLOY PER ASTM B36, GOLD PLATED PER ASTM B488
 INTERFACIAL SEAL: FLUOROSILICONE PER MIL-R- 25988

2. MARKING:
 2A "UMI", DATE CODE, M83513/02-DC, UMI WORK ORDER NUMBER
 2B A DOT INDICATING POSITION 1

1. CONNECTOR ASSEMBLY IS IAW MIL-DTL-83513 UNLESS OTHERWISE SPECIFIED.

NOTES: UNLESS OTHERWISE SPECIFIED.

| | | | | | | |
|---|---|--------------------------------------|--|-----------------------------|---------------------|--|
| QUALITY SYMBOLS CRITICAL MAJOR NO SYMBOLS = MINOR DIMENSIONS | UNLESS OTHERWISE SPECIFIED: ALL DIMENSIONS ARE IN INCHES | SCALE 3:1 | DWG SIZE B | THIRD ANGLE PROJECTION | REVISE ON CAD ONLY | |
| | GENERAL TOLERANCES: 3 PLACES ±.005 2 PLACES ±.01 ANGULAR ±2° | DRAWN BY & DATE DU 12/19/17 | TITLE: MICRO-D CONNECTOR ASSEMBLY, MIL-DTL-83513/02-DC | | | |
| | | CHECKED BY & DATE DW 12/19/17 | MATERIAL: 3 | ENG PROJECT #: E351 | | |
| | | APPROVED BY & DATE DW 12/19/17 | PART NO. 835240000 | DRAWING NO. SD-835240000 | SHEET NO. 1 of 1 | |
| | ULTI-MATE CAGE CODE 58967 | CAD FILE NAME SD-835240000.SLDDRW | THIS DRAWING CONTAINS INFORMATION THAT IS PROPRIETARY TO ULTI-MATE INCORPORATED AND SHOULD NOT BE USED WITHOUT WRITTEN PERMISSION. | | | |