

PART REV	DWG ISSUE	DATE	ECN NO.	APPVD BY	REL BY
-	-	9/16/16	UMI6079	DW	DW

F

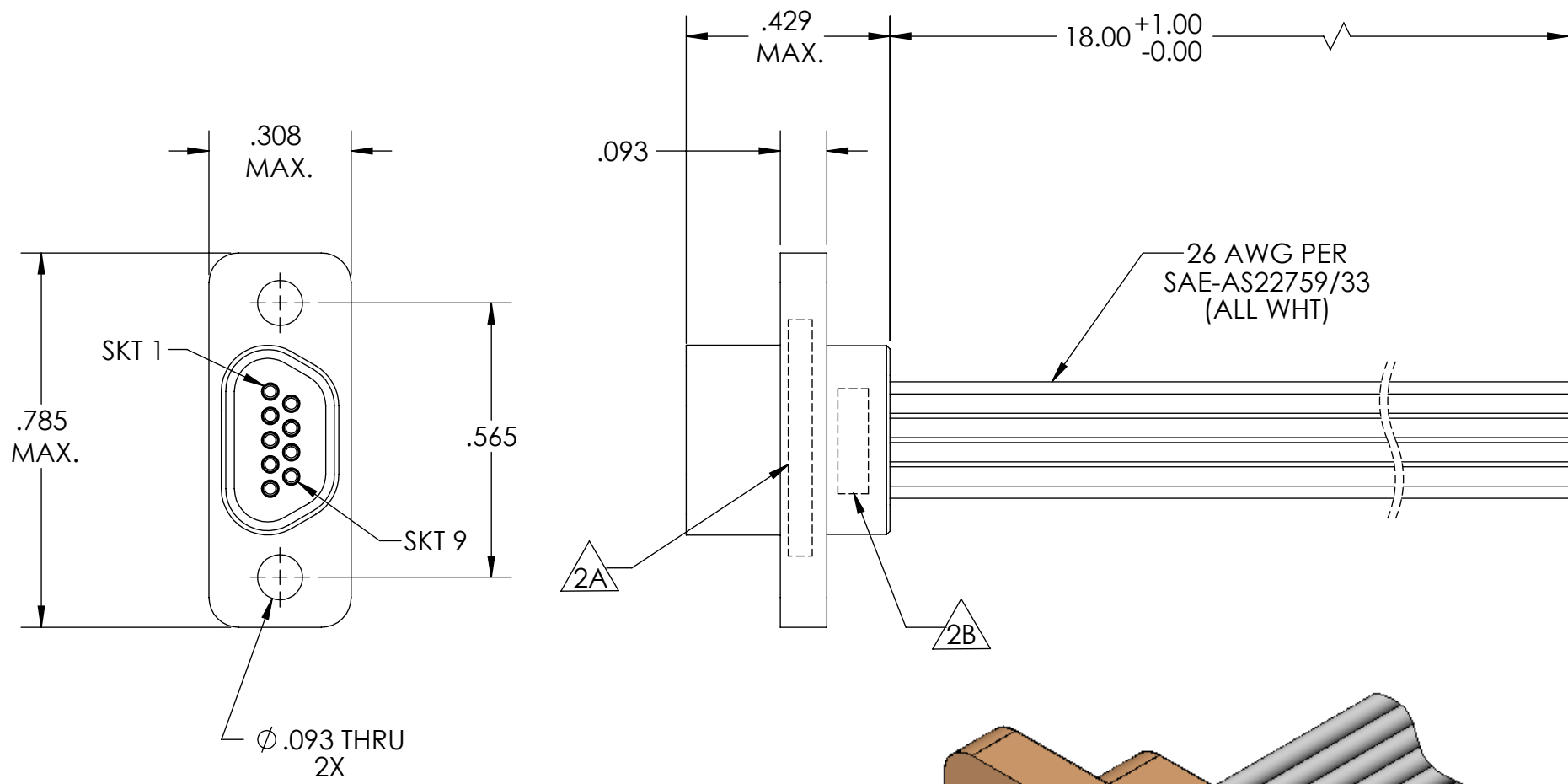
E

D

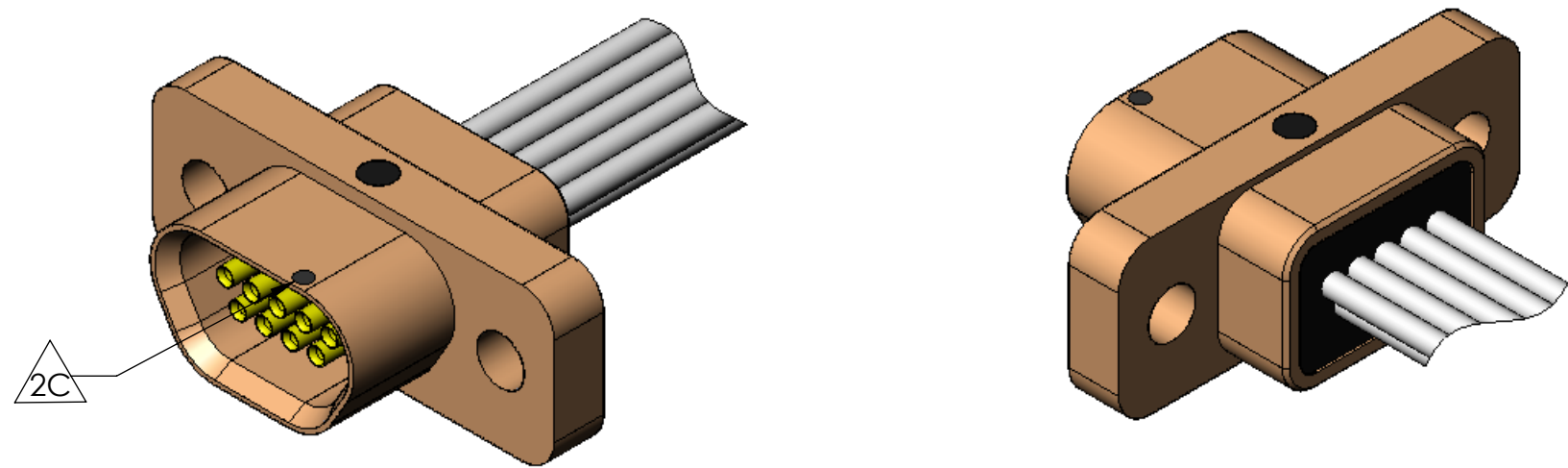
C

B

A



1	WHT
2	WHT
3	WHT
4	WHT
5	WHT
6	WHT
7	WHT
8	WHT
9	WHT



4. PERFORMANCE SPECIFICATIONS:
 CURRENT RATING: 3 AMPS MAX.
 INSULATION RESISTANCE: 5000 MEGOHMS MIN.
 DWV: 600 VAC
 TEMPERATURE RATING: 125° C

3 MATERIALS:
 SHELL: 6061-T6 ALUMINUM PER AMS-QQ-A200/8, CADMIUM PLATED PER AMS-QQ-P-416
 INSULATOR: PPS PER MIL-M-24519 GST-40F, COLOR: BLACK
 SOCKET CONTACTS: C21000 COPPER ALLOY PER ASTM B36, GOLD PLATED PER ASTM B488
 WIRE: 26 AWG PER SAE-AS22759/33-26-9
 INTERFACIAL SEAL: FLUOROSILICONE PER MIL-R-25988

2. MARKING:
 2A "UMI", DATE CODE, M83513/04-A09C
 2B UMI WORK ORDER NUMBER
 2C A DOT INDICATING POSITION 1

1. CONNECTOR ASSEMBLY IS IAW MIL-DTL-83513 UNLESS OTHERWISE SPECIFIED.
NOTES: UNLESS OTHERWISE SPECIFIED.

QUALITY SYMBOLS CRITICAL MAJOR NO SYMBOLS = MINOR DIMENSIONS	UNLESS OTHERWISE SPECIFIED: ALL DIMENSIONS ARE IN INCHES	SCALE 3:1	DWG SIZE B	THIRD ANGLE PROJECTION	REVISE ON CAD ONLY	
	GENERAL TOLERANCES: 3 PLACES ±.005 2 PLACES ±.01 ANGULAR ±2°	DRAWN BY & DATE DU 9/16/16	TITLE: MICRO-D CONNECTOR ASSEMBLY, MIL-DTL-83513/04-A09C (MR09S0-26Y1-18.0)			
		CHECKED BY & DATE DW 9/16/16	MATERIAL:		ENG PROJECT #: NONE	
		APPROVED BY & DATE DW 9/16/16	PART NO. 835210090		DRAWING NO. SD-835210090	
	ULTI-MATE CAGE CODE 58967	CAD FILE NAME SD-8352100090.SLDDRW	SHEET NO. 1 of 1		SHEET NO. 1 of 1	

THIS DRAWING CONTAINS INFORMATION THAT IS PROPRIETARY TO ULTI-MATE INCORPORATED AND SHOULD NOT BE USED WITHOUT WRITTEN PERMISSION.

