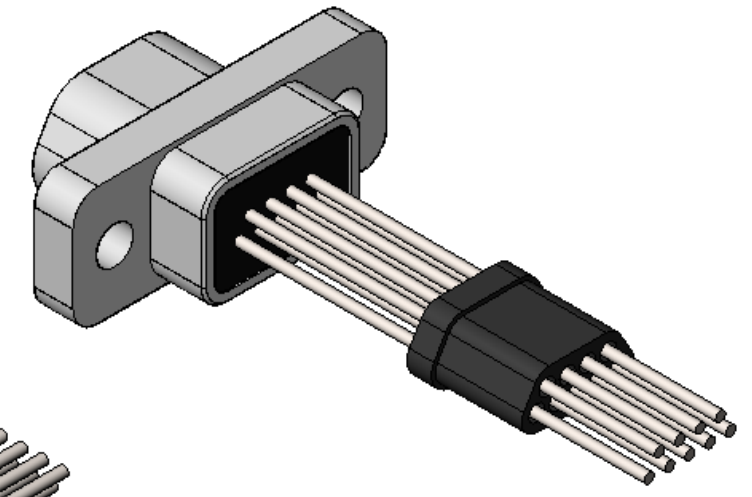
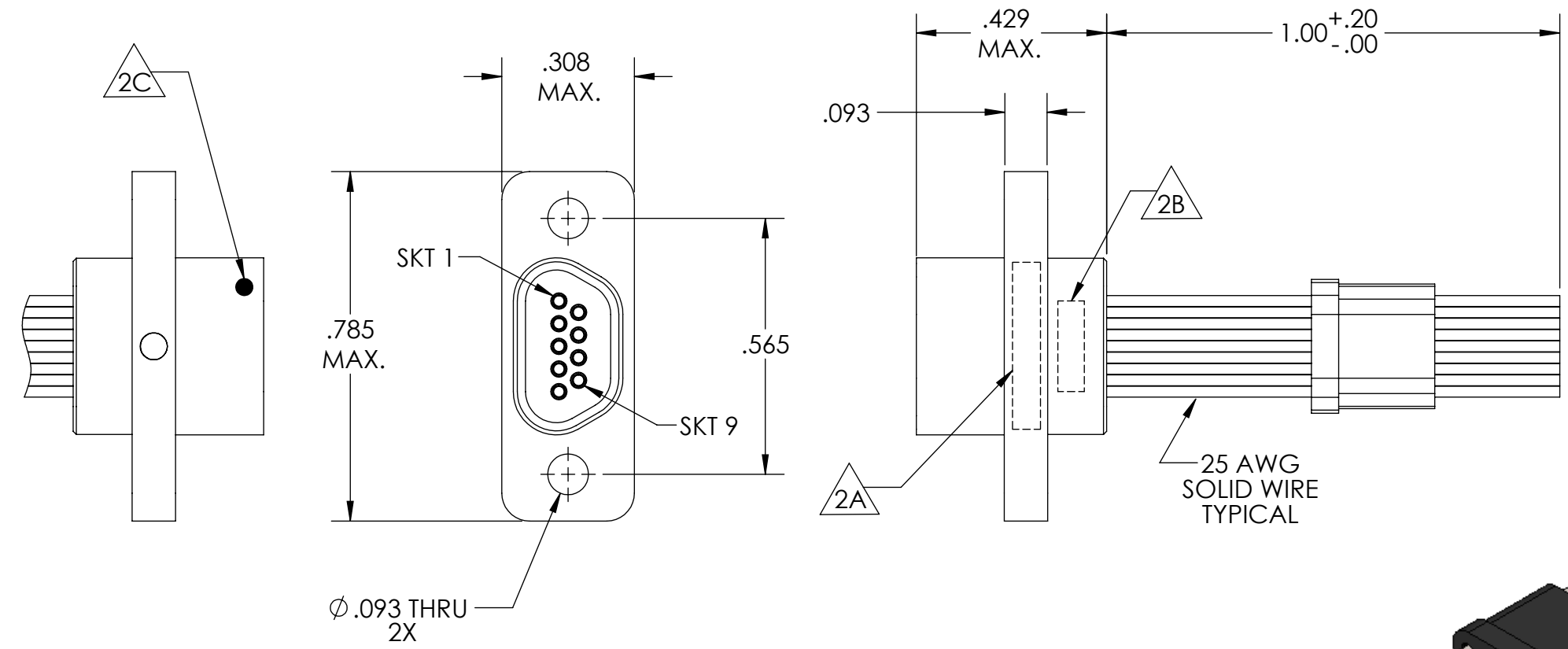


PART REV	DWG ISSUE	DATE	ECN NO.	APPVD BY	REL BY
-	-	2/1/16	UMI5868	DW	DW

F
E
D
C
B
A



LEAD PROTECTOR IS PLACED OVER LEADS TO PROTECT LEADS DURING SHIPPING

4. PERFORMANCE SPECIFICATIONS:
 CURRENT RATING: 3 AMPS MAX.
 INSULATION RESISTANCE: 5000 MEGOHMS MIN.
 DWV: 600 VAC
 TEMPERATURE RATING: 125° C

3 MATERIALS:
 SHELL: 6061-T6 ALUMINUM PER AMS-QQ-A200/8, CADMIUM PLATED PER AMS-QQ-P-416
 INSULATOR: PPS PER MIL-M-24519 GST-40F, COLOR: BLACK
 SOCKET CONTACT: C21000 COPPER ALLOY PER ASTM B36, GOLD PLATED PER ASTM B488
 25 AWG LEADS: COPPER ALLOY 60/40 TIN/LEAD PLATED PER AMS-P-1728
 INTERFACIAL SEAL: FLUOROSILICONE PER MIL-R-25988

2. MARKING:
 2A "UMI", DATE CODE, UMI PART NUMBER "M83513/04-A08C".
 2B UMI WORK ORDER NUMBER
 2C A DOT INDICATING POSITION 1.

1. CONNECTOR ASSEMBLY IS IAW MIL-DTL-83513 UNLESS OTHERWISE SPECIFIED.

NOTES: UNLESS OTHERWISE SPECIFIED.

QUALITY SYMBOLS CRITICAL C MAJOR ▼ NO SYMBOLS = MINOR DIMENSIONS	UNLESS OTHERWISE SPECIFIED: ALL DIMENSIONS ARE IN INCHES	SCALE 3:1	DWG SIZE B	THIRD ANGLE PROJECTION	REVISE ON CAD ONLY
	GENERAL TOLERANCES: 3 PLACES ±.005 2 PLACES ±.01 ANGULAR ±2°	DRAWN BY & DATE DU 2/1/16	TITLE: MICRO-D CONNECTOR ASSEMBLY, M83513/04-A08C (MR09S0-25CL-1.0)		
	ULTI-MATE CAGE CODE 58967	CHECKED BY & DATE DW 2/1/16	MATERIAL: 3	ENG PROJECT #: NONE	
		APPROVED BY & DATE DW 2/1/16	PART NO. 835210080	DRAWING NO. SD-835210080	
		CAD FILE NAME SD-835210080.SLDDRW	THIS DRAWING CONTAINS INFORMATION THAT IS PROPRIETARY TO ULTI-MATE INCORPORATED AND SHOULD NOT BE USED WITHOUT WRITTEN PERMISSION.		