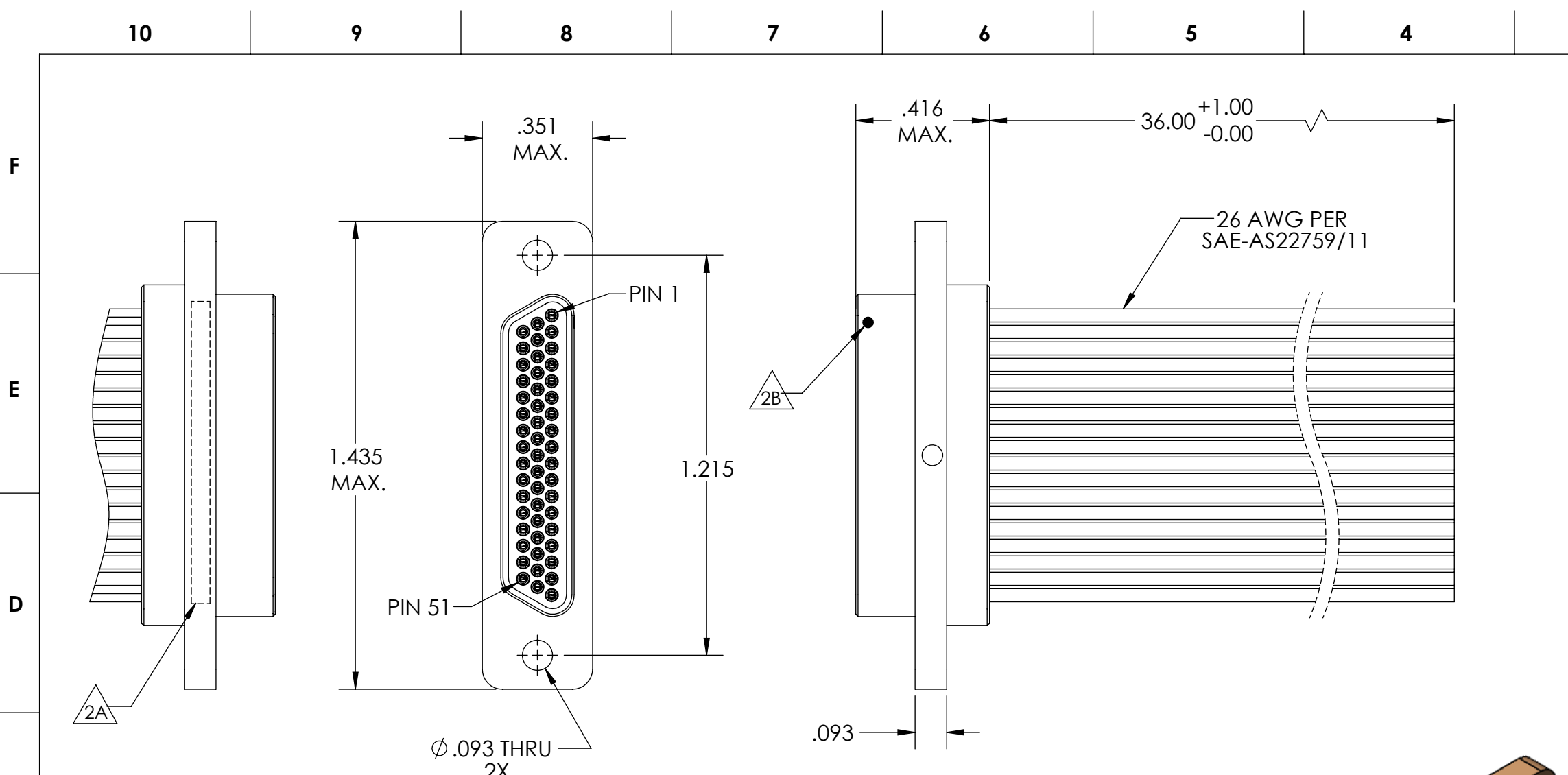
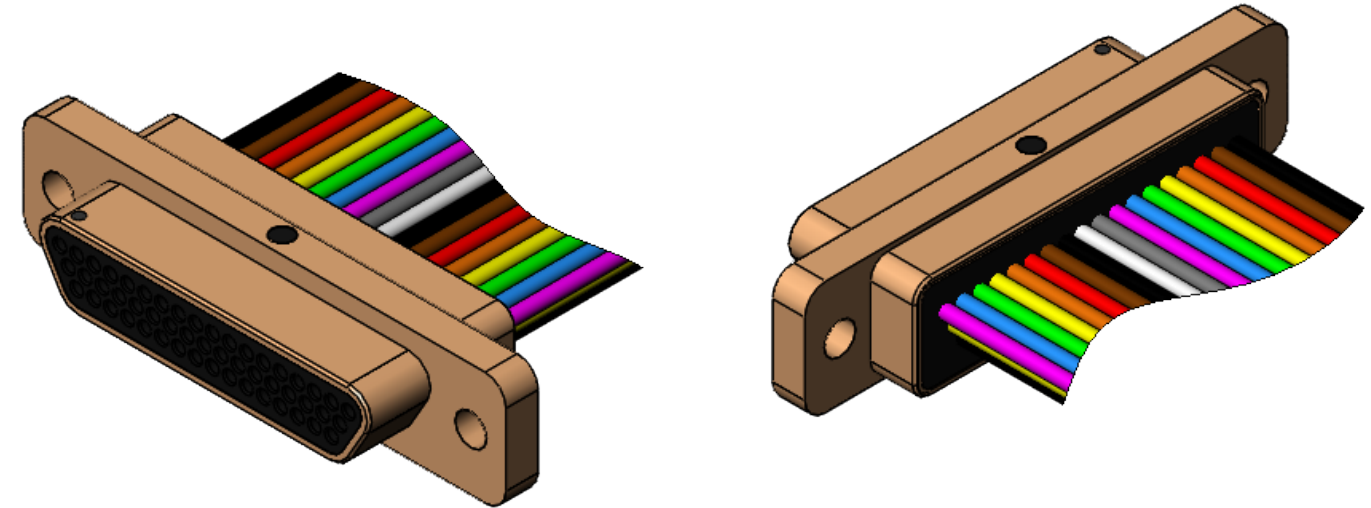


PART REV	DWG ISSUE	DATE	ECN NO.	APPVD BY	REL BY
-	-	07/19/19	UMI7215	FA	DW



1	BLK	26	GRN
2	BRN	27	BLU
3	RED	28	VIO
4	ORG	29	GRY
5	YEL	30	WHT
6	GRN	31	BLK
7	BLU	32	BRN
8	VIO	33	RED
9	GRY	34	ORG
10	WHT	35	YEL
11	BLK	36	GRN
12	BRN	37	BLU
13	RED	38	VIO
14	ORG	39	GRY
15	YEL	40	WHT
16	GRN	41	BLK
17	BLU	42	BRN
18	VIO	43	RED
19	GRY	44	ORG
20	WHT	45	YEL
21	BLK	46	GRN
22	BRN	47	BLU
23	RED	48	VIO
24	ORG	49	GRY
25	YEL	50	WHT
		51	BLK



- 5. CONTACT HEIGHTS ARE TO BE PER QA-STD-101.
- 4. PERFORMANCE SPECIFICATIONS:
CURRENT RATING: 3 AMP MAX.
DWV: 600 VAC
TEMPERATURE RATING: -55°C TO 125°C

3 MATERIALS:
SHELL: 6061-T6 ALUMINIUM PER AMS-QQ-A200/8, CADMIUM PLATED PER AMS-QQ-P-416
INSULATOR: PPS PER MIL-M-24519 GST-40F, COLOR: BLACK
PIN CONTACTS: C17200 BERYLLIUM COPPER PER ASTM B194, GOLD PLATED PER ASTM B488
WIRES: 26 AWG PER SAE-AS22759/11, COLOR CODE: REPEATING 10 COLERS PER MIL-STD-681

- 2. MARKING: 2A "UMI", DATE CODE, M83513/03-G04C, UMI WORK ORDER NUMBER
2B A DOT INDICATING POSITION 1

1. CONNECTOR ASSEMBLY IS IAW MIL-DTL-83513 UNLESS OTHERWISE SPECIFIED.

NOTES: UNLESS OTHERWISE SPECIFIED.

QUALITY SYMBOLS CRITICAL C MAJOR NO SYMBOLS = MINOR DIMENSIONS	UNLESS OTHERWISE SPECIFIED: ALL DIMENSIONS ARE IN INCHES	SCALE NONE	DWG SIZE B	THIRD ANGLE PROJECTION	REVISE ON CAD ONLY	
	GENERAL TOLERANCES: 3 PLACES ±.005 2 PLACES ±.01 ANGULAR ±2°	DRAWN BY & DATE FA 07/19/2019		TITLE: MIL SPEC MICRO-D CONNECTOR, MIL-DTL-83513/03-G04C, (MR51-3P0-26M6-36.0)		
	ULTI-MATE CAGE CODE 58967	CHECKED BY & DATE SEE ECN		MATERIAL: 3		ENG PROJECT #: NONE
		APPROVED BY & DATE SEE ECN		PART NO. 835170040		DRAWING NO. SD-835170040
		CAD FILE NAME SD-835170040.slddrw		SHEET NO. 1 of 1		PART REV. -

THIS DRAWING CONTAINS INFORMATION THAT IS PROPRIETARY TO ULTI-MATE INCORPORATED AND SHOULD NOT BE USED WITHOUT WRITTEN PERMISSION.

