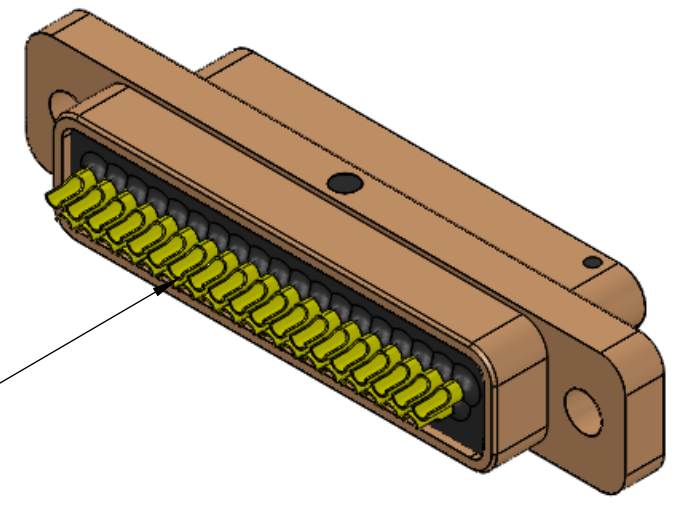
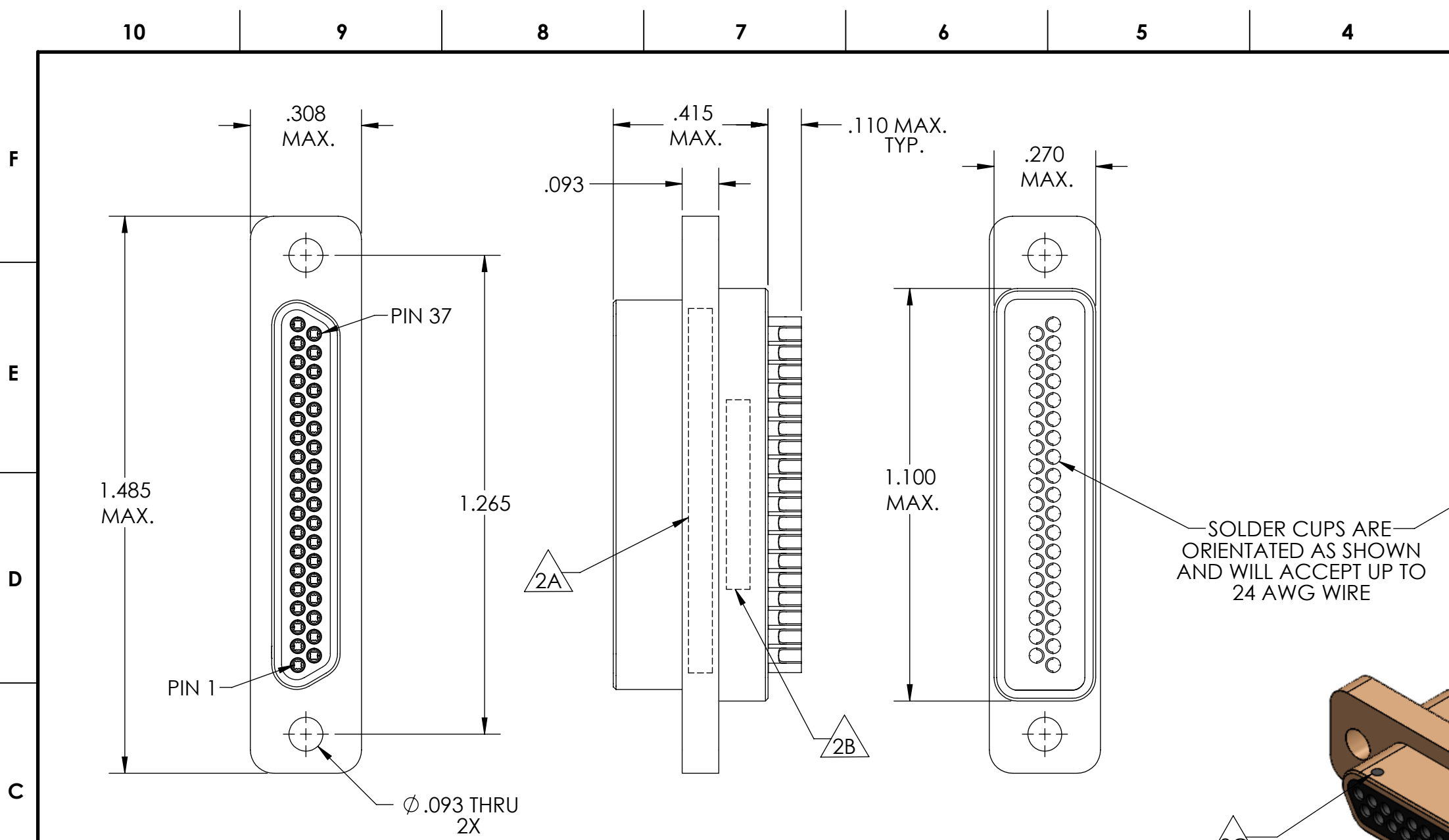
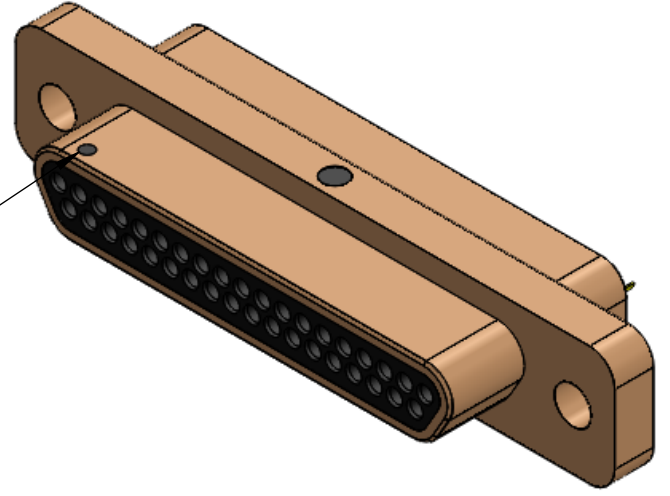


PART REV	DWG ISSUE	DATE	ECN NO.	APPVD BY	REL BY
-	-	4/24/17	UMI6325	DW	DW



SOLDER CUPS ARE ORIENTATED AS SHOWN AND WILL ACCEPT UP TO 24 AWG WIRE



4. PERFORMANCE SPECIFICATIONS:  
 CURRENT RATING: 3 AMPS MAX.  
 INSULATION RESISTANCE: 5000 MEGOHMS MIN.  
 DWV: 600 VAC  
 TEMPERATURE RATING: 125° C

3 MATERIALS:  
 SHELL: 6061-T6 ALUMINUM PER AMS-QQ-A200/8, CADMIUM PLATED PER AMS-QQ-P-416  
 INSULATOR: PPS PER MIL-M-24519 GST-40F, COLOR: BLACK  
 PIN SOLDER CUP CONTACTS: C17200 BERYLLIUM COPPER ALLOY PER ASTM B194, GOLD PLATED PER ASTM B488

2. MARKING:  $\triangle 2A$  "UMI", DATE CODE, M83513/01-FC  
 $\triangle 2B$  UMI WORK ORDER NUMBER  
 $\triangle 2C$  A DOT INDICATING POSITION 1

1. CONNECTOR ASSEMBLY IS IAW MIL-DTL-83513 UNLESS OTHERWISE SPECIFIED.  
**NOTES: UNLESS OTHERWISE SPECIFIED.**

QUALITY SYMBOLS CRITICAL $\triangle C$ MAJOR $\blacktriangledown$ NO SYMBOLS = MINOR DIMENSIONS	UNLESS OTHERWISE SPECIFIED: ALL DIMENSIONS ARE IN INCHES	SCALE 3:1	DWG SCALE B	THIRD ANGLE PROJECTION	REVISE ON CAD ONLY
	GENERAL TOLERANCES: 3 PLACES $\pm .005$ 2 PLACES $\pm .01$ ANGULAR $\pm 2^\circ$	DRAWN BY & DATE DU 4/24/17	TITLE: MICRO-D SOLDER CUP CONNECTOR, MIL-DTL-83513/01-FC, (MR37N0)		
	ULTI-MATE CAGE CODE 58967	CHECKED BY & DATE DW 4/24/17	MATERIAL: $\triangle 3$	ENG PROJECT #: NONE	
		APPROVED BY & DATE DW 4/24/17	PART NO. 835160000	DRAWING NO. SD-835160000	
THIS DRAWING CONTAINS INFORMATION THAT IS PROPRIETARY TO ULTI-MATE INCORPORATED AND SHOULD NOT BE USED WITHOUT WRITTEN PERMISSION.					