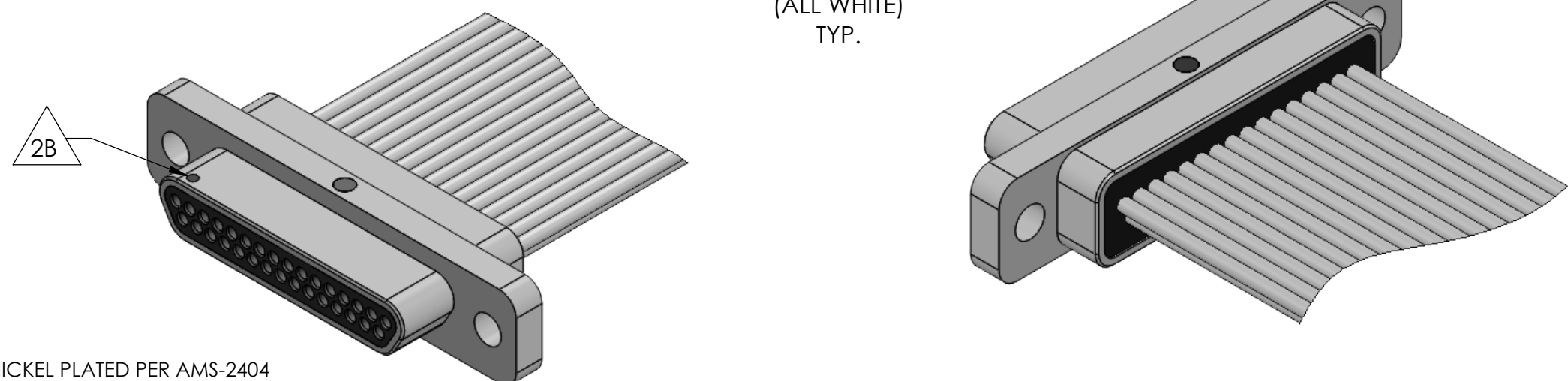
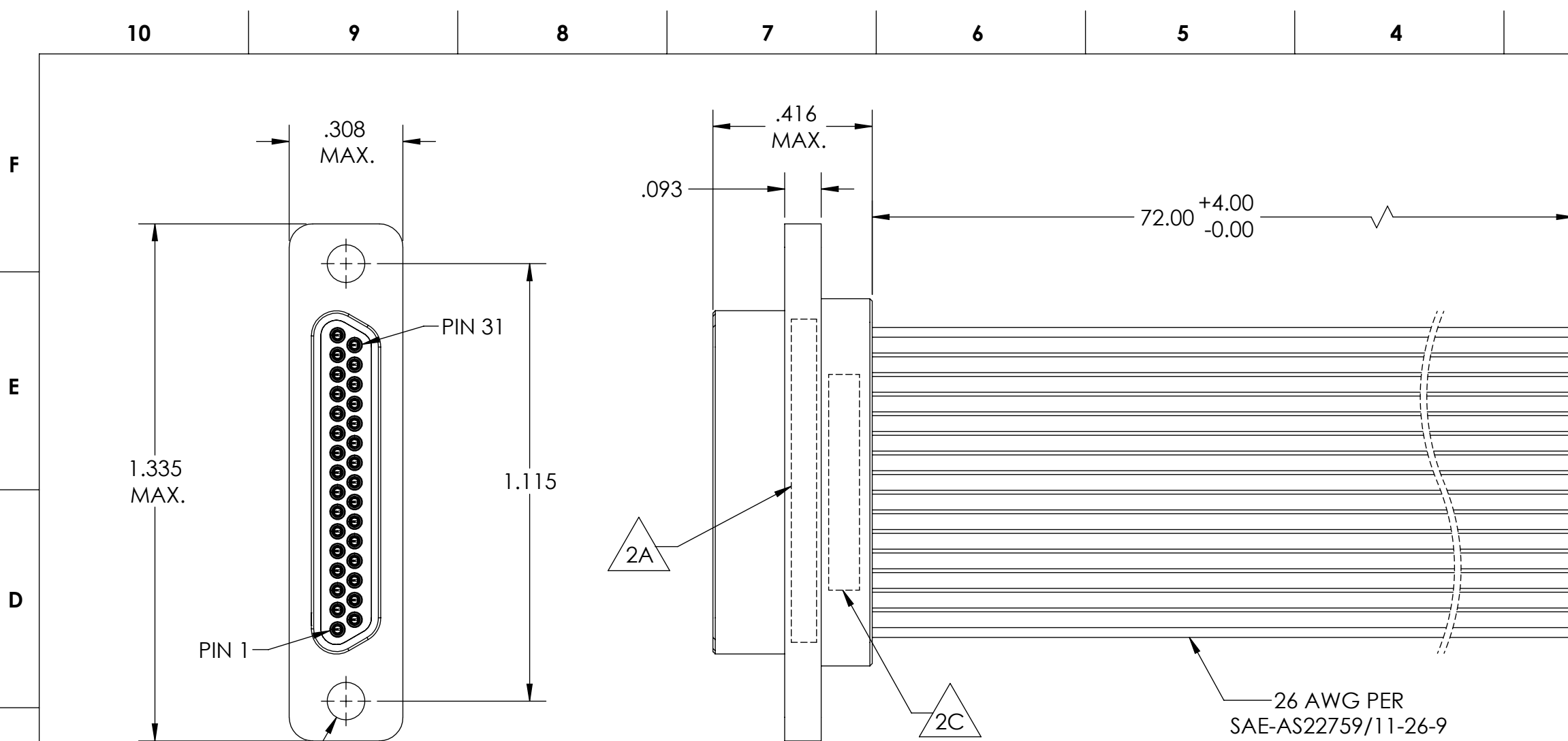


PART REV	DWG ISSUE	DATE	ECN NO.	APPVD BY	REL BY
-	-	3/18/20	UMI7431	DU	DW



- 5. CONTACT HEIGHTS ARE TO BE PER QA-STD-101.
- 4. PERFORMANCE SPECIFICATIONS:
CURRENT RATING: 3 AMPS MAX.
DWV: 600 VAC
TEMPERATURE RATING: -55°C TO 125°C

3 MATERIALS:
SHELL: 6061-T6 ALUMINUM PER AMS-QQ-A200/8, NICKEL PLATED PER AMS-2404
INSULATOR: PPS PER MIL-M-24519 GST-40F, COLOR: BLACK
PIN CONTACTS: C17200 BERYLLIUM COPPER PER ASTM B194, GOLD PLATED PER ASTM B488
WIRES: 26 AWG PER SAE-AS22759/11-26-9, COLOR CODE: ALL WHITE

2. MARKING: **2A** "UMI", M83513/03-E13N **2B** A DOT INDICATING POSITION 1
2C DATE CODE, UMI WORK ORDER NUMBER

1. CONNECTOR ASSEMBLY IS IAW MIL-DTL-83513 UNLESS OTHERWISE SPECIFIED.

NOTES: UNLESS OTHERWISE SPECIFIED.

QUALITY SYMBOLS CRITICAL C MAJOR ▼ NO SYMBOLS = MINOR DIMENSIONS	UNLESS OTHERWISE SPECIFIED; ALL DIMENSIONS ARE IN INCHES	SCALE 3:1	DWG SIZE B	THIRD ANGLE PROJECTION	REVISE ON CAD ONLY		
	GENERAL TOLERANCES: 3 PLACES ±.005 2 PLACES ±.01 ANGULAR ±2°	DRAWN BY & DATE DU 3/18/20		TITLE: MICRO-D CONNECTOR ASSEMBLY, MIL-DTL-83513/03-E13N, MR31P0-26M1-72.0-S01, NICKEL PLATED SHELL			
		CHECKED BY & DATE DW 3/18/20		MATERIAL: 3	ENG PROJECT #: NONE		
		APPROVED BY & DATE DW 3/18/20		PART NO. 835151130	DRAWING NO. SD-835151130		
	ULTI-MATE CAGE CODE 58967	CAD FILE NAME SD-835151130.slddrw	PART NO. 835151130		DRAWING NO. SD-835151130		
THIS DRAWING CONTAINS INFORMATION THAT IS PROPRIETARY TO ULTI-MATE INCORPORATED AND SHOULD NOT BE USED WITHOUT WRITTEN PERMISSION.							