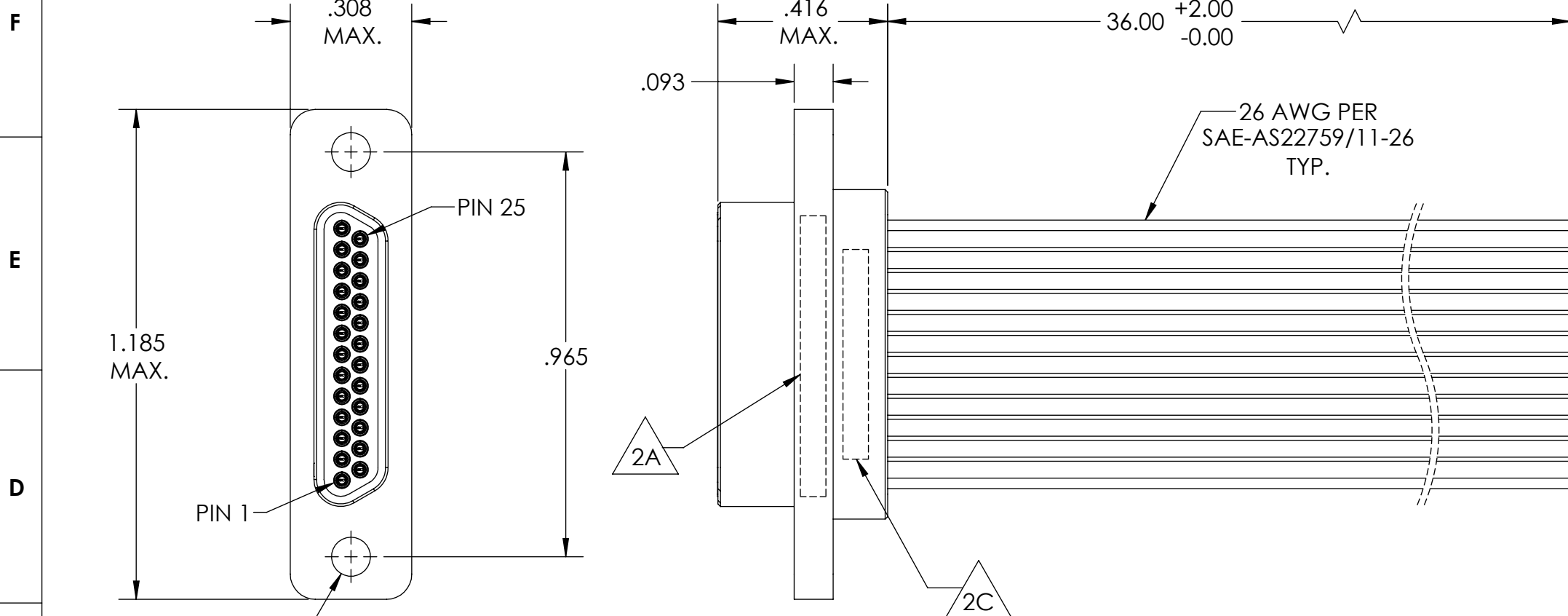
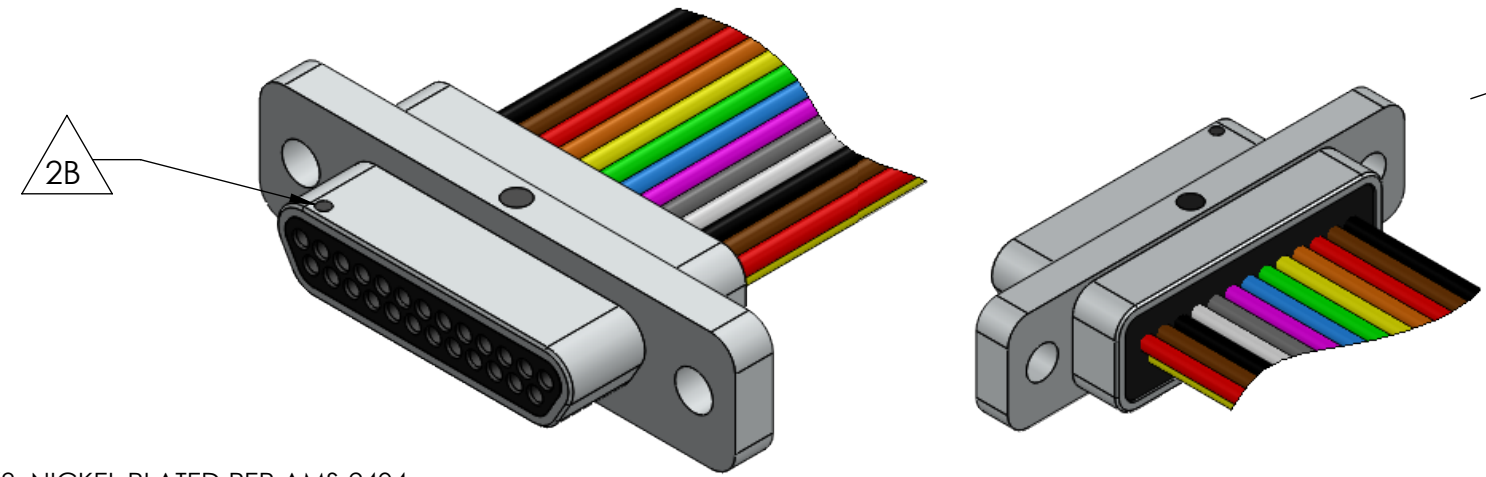


PART REV	DWG ISSUE	DATE	ECN NO.	APPVD BY	REL BY
-	-	3/5/20	UMI7417	DU	DW



1	BLK	14	ORG
2	BRN	15	YEL
3	RED	16	GRN
4	ORG	17	BLU
5	YEL	18	VIO
6	GRN	19	GRY
7	BLU	20	WHT
8	VIO	21	BLK
9	GRY	22	BRN
10	WHT	23	RED
11	BLK	24	ORG
12	BRN	25	YEL
13	RED		



- 5. CONTACT HEIGHTS ARE TO BE PER QA-STD-101.
- 4. PERFORMANCE SPECIFICATIONS:
CURRENT RATING: 3 AMPS MAX.
DWV: 600 VAC
TEMPERATURE RATING: -55°C TO 125°C

3 MATERIALS:
SHELL: 6061-T6 ALUMINUM PER AMS-QQ-A200/8, NICKEL PLATED PER AMS-2404
INSULATOR: PPS PER MIL-M-24519 GST-40F, COLOR: BLACK
PIN CONTACTS: C17200 BERYLLIUM COPPER PER ASTM B194, GOLD PLATED PER ASTM B488
WIRES: 26 AWG PER SAE-AS22759/11-26, COLOR CODE: REPEATING 10 COLORS PER MIL-STD-681

- 2. MARKING: "UMI", M83513/03-D04N A DOT INDICATING POSITION 1
 DATE CODE, UMI WORK ORDER NUMBER

1. CONNECTOR ASSEMBLY IS IAW MIL-DTL-83513 UNLESS OTHERWISE SPECIFIED.

NOTES: UNLESS OTHERWISE SPECIFIED.

QUALITY SYMBOLS CRITICAL MAJOR NO SYMBOLS = MINOR DIMENSIONS	UNLESS OTHERWISE SPECIFIED: ALL DIMENSIONS ARE IN INCHES	SCALE: NONE DWG SIZE: B	THIRD ANGLE PROJECTION	REVISE ON CAD ONLY		
	GENERAL TOLERANCES: 3 PLACES ±.005 2 PLACES ±.01 ANGULAR ±2°	DRAWN BY & DATE: DU 3/5/20	TITLE: MICRO-D CONNECTOR ASSEMBLY, MIL-DTL-83513/03-D04N, MR25P0-26M6-36.0-S01, NICKEL PLATED SHELL			
	ULTI-MATE CAGE CODE: 58967	CHECKED BY & DATE: DW 3/5/20	MATERIAL:		ENG PROJECT #: NONE	
		APPROVED BY & DATE: DW 3/5/20	PART NO.: 835141040	DRAWING NO.: SD-835141040	SHEET NO.: 1 of 1	
		CAD FILE NAME: SD-835141040.sliddrw	THIS DRAWING CONTAINS INFORMATION THAT IS PROPRIETARY TO ULTI-MATE INCORPORATED AND SHOULD NOT BE USED WITHOUT WRITTEN PERMISSION.			