

10

9

8

7

6

5

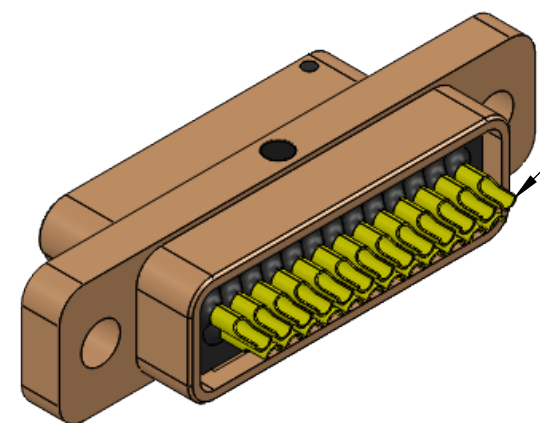
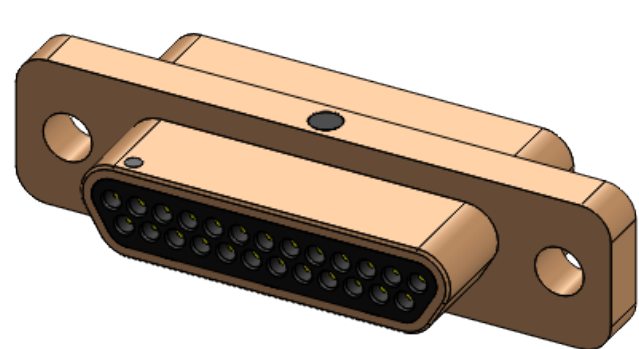
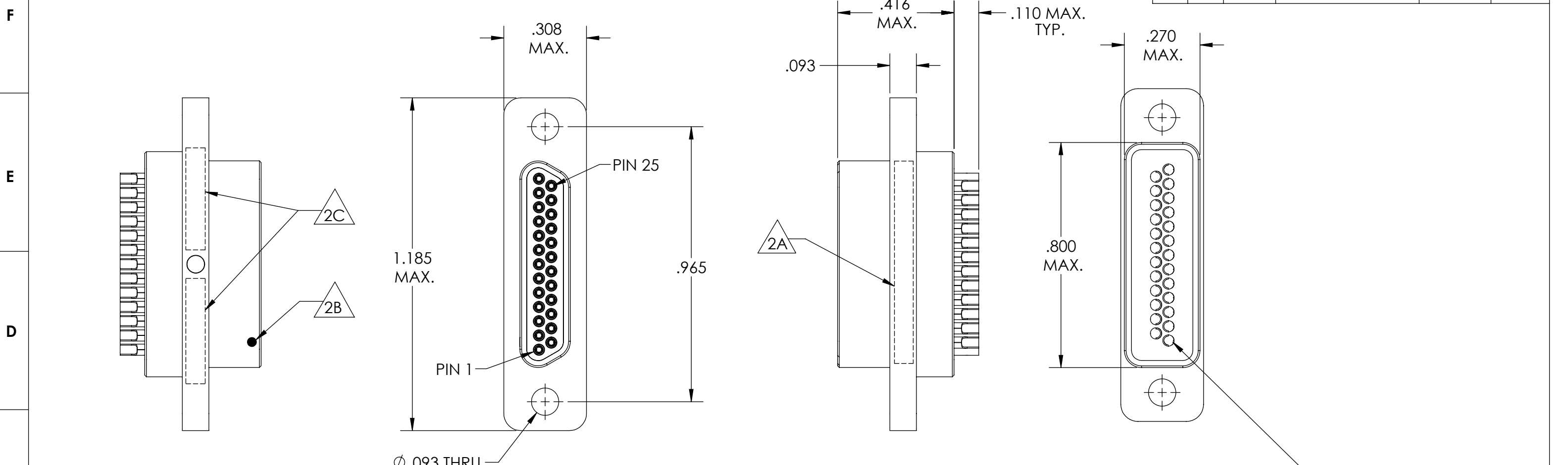
4

3

2

SD-835140000

PART REV	DWG ISSUE	DATE	ECN NO.	APPVD BY	REL BY
-	-	5/8/20	UMI7476	DU	DW



SOLDER CUPS ARE ORIENTATED AS SHOWN

- 5. CONTACT HEIGHTS ARE TO BE PER QA-STD-101.
- 4. PERFORMANCE SPECIFICATIONS:
CURRENT RATING: 3 AMP MAX.
DWV: 600 VAC
TEMPERATURE RATING: -55°C TO 125°C

3 MATERIALS:
SHELL: 6061-T6 ALUMINUM PER AMS-QQ-A200/8, CADMIUM PLATED PER AMS-QQ-P-416
INSULATOR: PPS PER MIL-M-24519 GST-40F, COLOR: BLACK
PIN SOLDERCUPS CONTACTS: C17200 BERYLLIUM COPPER PER ASTM B194, GOLD PLATED PER ASTM B488

- 2. MARKING: 2A M83513/01-DC
2B A DOT INDICATING POSITION 1
2C "UMI", DATE CODE, UMI WORK ORDER NUMBER

1. CONNECTOR ASSEMBLY IS IAW MIL-DTL-83513 UNLESS OTHERWISE SPECIFIED.

NOTES: UNLESS OTHERWISE SPECIFIED.

QUALITY SYMBOLS CRITICAL MAJOR NO SYMBOLS = MINOR DIMENSIONS	UNLESS OTHERWISE SPECIFIED: ALL DIMENSIONS ARE IN INCHES	SCALE 3:1	DWG SIZE B	THIRD ANGLE PROJECTION	REVISE ON CAD ONLY
	GENERAL TOLERANCES: 3 PLACES ±.005 2 PLACES ±.01 ANGULAR ±2°	DRAWN BY & DATE DU 5/8/20	CHECKED BY & DATE DW 5/8/20	TITLE: MIL SPEC MICRO-D CONNECTOR, MIL-DTL-83513/01-DC, (MR25N0-CAD)	ENG PROJECT #: NONE
	ULTI-MATE CAGE CODE 58967	APPROVED BY & DATE DW 5/8/20	CAD FILE NAME SD-835140000.slddrw	MATERIAL: 3	Uti-Mate Connector Inc.
		PART NO. 835140000	DRAWING NO. SD-835140000	SHEET NO. 1 of 1	
		THIS DRAWING CONTAINS INFORMATION THAT IS PROPRIETARY TO ULTI-MATE INCORPORATED AND SHOULD NOT BE USED WITHOUT WRITTEN PERMISSION.		PART REV. -	