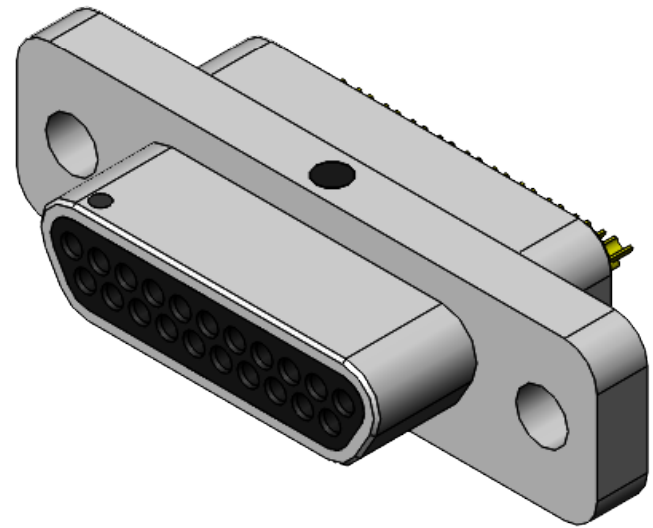
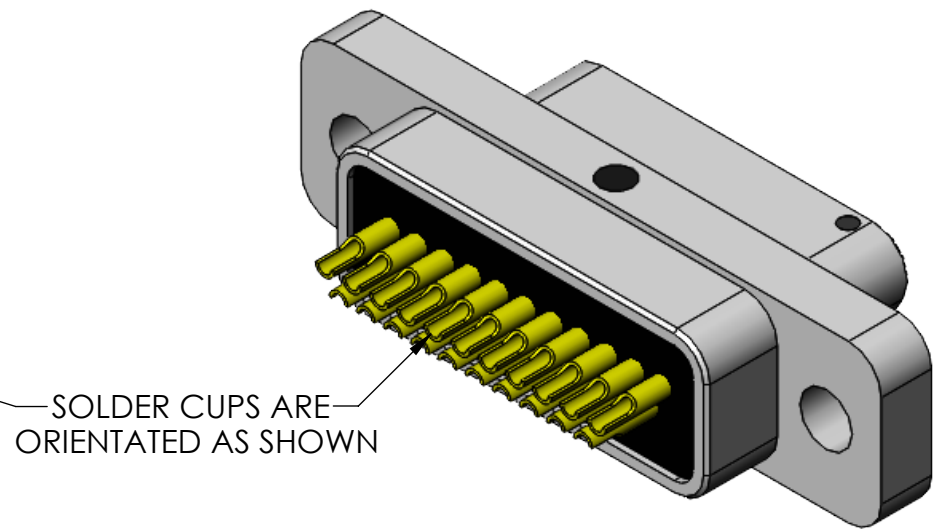
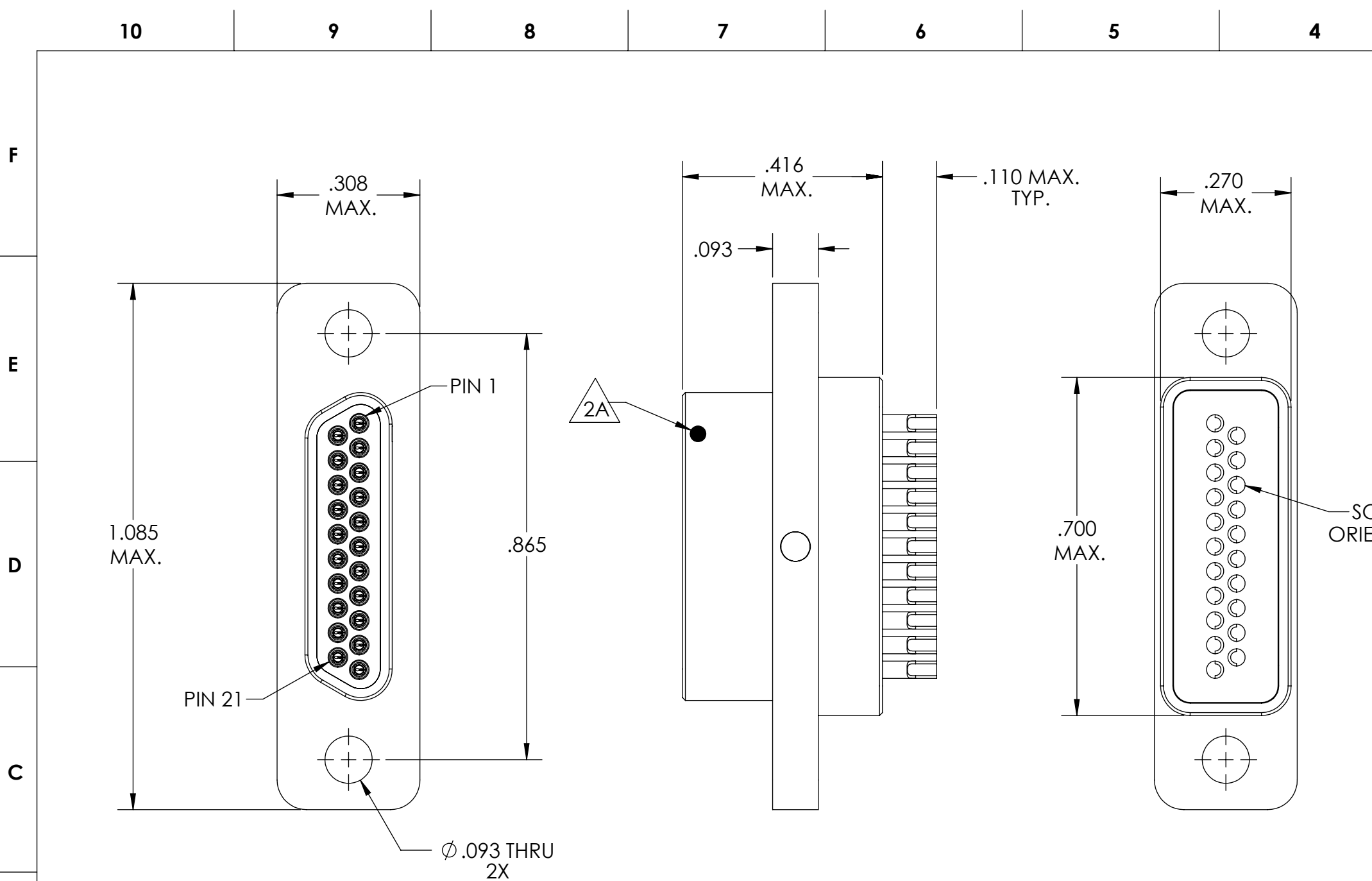


REVISIONS					
PART REV.	DWG. ISSUE	DATE	ECN NO.	APPVD. BY	REL. BY
-	-	2/23/2021	UMI7681	DU	DW



- 5. CONTACT HEIGHTS ARE TO BE PER QA-STD-101.
- 4. PERFORMANCE SPECIFICATIONS:
CURRENT RATING: 3 AMP MAX.
DWV: 600 VAC
TEMPERATURE RATING: -55°C TO 125°C

3 MATERIALS:
SHELL: 6061-T6 ALUMINUM PER AMS-QQ-A200/8, NICKEL PLATED PER AMS-2404
INSULATOR: PPS PER MIL-M-24519 GST-40F, COLOR: BLACK
PIN SOLDERCUP CONTACTS: C17200 BERYLLIUM COPPER PER ASTM B194, GOLD PLATED PER ASTM B488

2. MARKING: "UMI", DATE CODE, M83513/01-CN, UMI WORK ORDER NUMBER

A 2A A DOT INDICATING POSITION 1

1. CONNECTOR ASSEMBLY IS IAW MIL-DTL-83513.

NOTES: UNLESS OTHERWISE SPECIFIED.

QUALITY SYMBOLS CRITICAL MAJOR NO SYMBOLS = MINOR DIMENSIONS	UNLESS OTHERWISE SPECIFIED; ALL DIMENSIONS ARE IN INCHES	SCALE 4 : 1	DWG SIZE B	THIRD ANGLE PROJECTION	REVISE ON CAD ONLY	
	GENERAL TOLERANCES: 3 PLACES ±.005 2 PLACES ±.01 ANGULAR ±2°	DRAWN BY & DATE DU 2/23/21		TITLE: MIL SPEC MICRO-D CONNECTOR, MIL-DTL-83513/01-CN, (MR21N0-S01, SOLDER CUPS)		
	ULTI-MATE CAGE CODE 58967	CHECKED BY & DATE DW 2/23/21		MATERIAL:	ENG PROJECT #:	NONE
		APPROVED BY & DATE DW 2/23/21		PART NO. 835131000		DRAWING NO. SD-835131000
		CAD FILE NAME SD-835131000.sliddrw		SHEET NO. 1 of 1		PART REV. -

THIS DRAWING CONTAINS INFORMATION THAT IS PROPRIETARY TO ULTI-MATE INCORPORATED AND SHOULD NOT BE USED WITHOUT WRITTEN PERMISSION.

