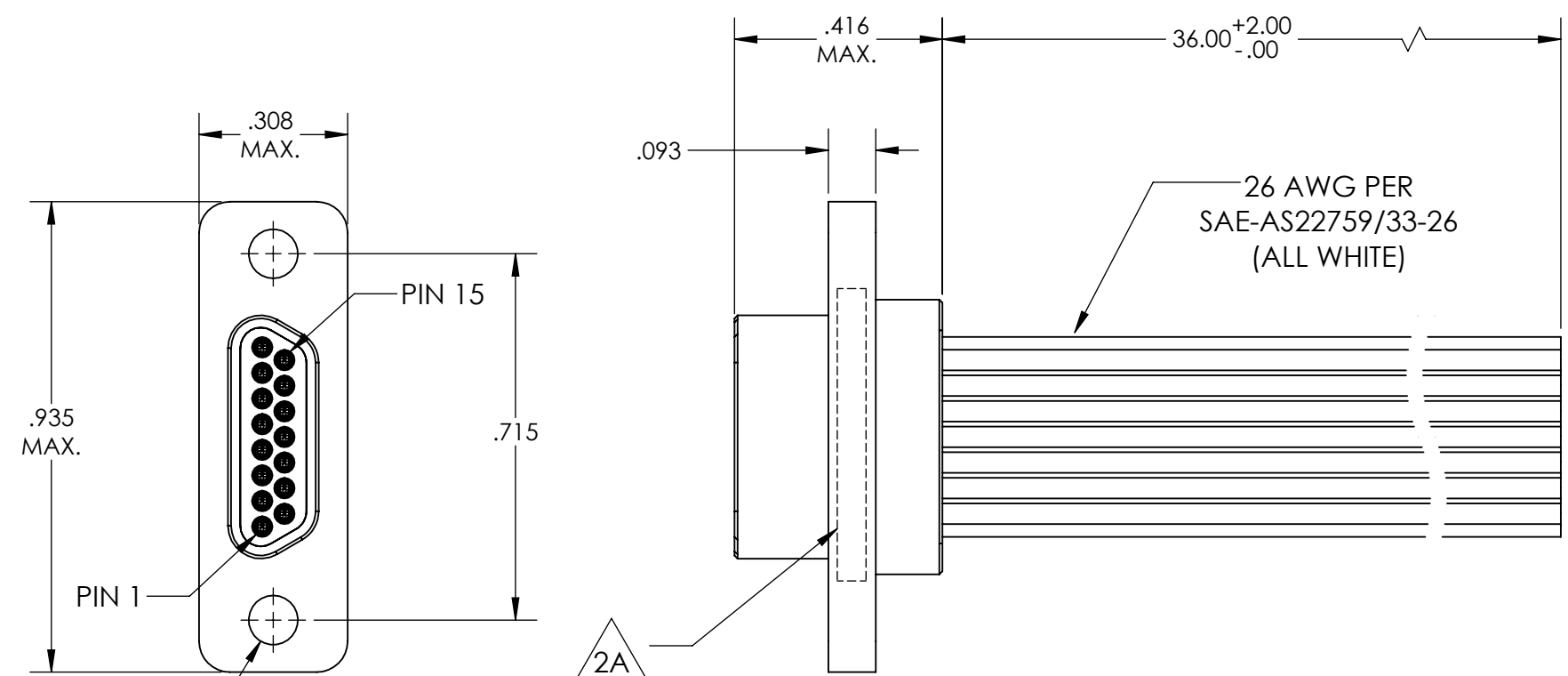
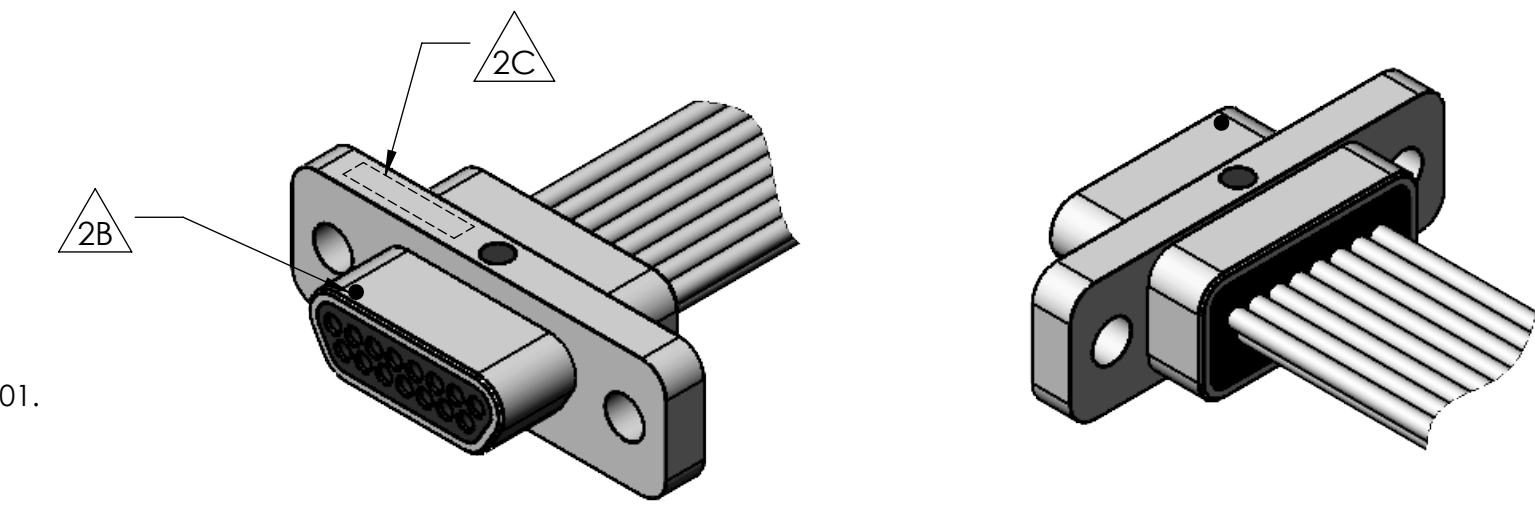


REVISIONS

PART REV.	DWG. ISSUE	DATE	ECN NO.	APPVD. BY	REL. BY
-	-	11/15/19	UMI7322	DU	DW



1	WHT
2	↑
3	
4	
5	
6	
7	
8	
9	
10	
11	
12	
13	
14	↓
15	WHT



- 5. CONTACT HEIGHTS ARE TO BER PER QA-STD-101.
- 4. PERFORMANCE SPECIFICATIONS:  
 CURRENT RATING: 3 AMPS MAX.  
 INSULATION RESISTANCE: 5000 MΩ MIN.  
 DWV: 600 VAC  
 TEMPERATURE RATING: -55°C TO 125°C

3. MATERIALS:  
 SHELL: 6061-T6 ALUMINUM PER AMS-QQ-A200/8, NICKEL PLATED PER AMS 2404  
 INSULATOR: PPS PER MIL-M-24519 GST-40F, COLOR: BLACK  
 PIN CONTACTS: C17200 BERYLLIUM COPPER PER ASTM B194, GOLD PLATED PER ASTM B488  
 WIRES: 26 AWG PER SAE-AS22759/33-26, ALL WHITE

- 2. MARKING:  
 2A "UMI", M83513/03-B10N  
 2B A DOT INDICATING POSITION 1  
 2C DATE CODE, UMI WORK ORDER NUMBER

1. CONNECTOR ASSEMBLY IS IAW MIL-DTL-83513 UNLESS OTHERWISE SPECIFIED

NOTES: UNLESS OTHERWISE SPECIFIED

QUALITY SYMBOLS CRITICAL MAJOR NO SYMBOL = MINOR DIMENSION	<b>UNLESS SPECIFIED:</b> ALL DIMENSIONS IN INCHES	SCALE <b>3:1</b>	DWG SIZE <b>B</b>	THIRD ANGLE PROJECTION	<b>REVISE ON CAD ONLY</b>	
	GENERAL TOLERANCES: 3 PLACE ±.005 2 PLACE ±.01 ANGULAR ±2°	DRAWN BY & DATE <b>DU 11/15/19</b>	TITLE <b>MICRO-D CONNECTOR ASSEMBLY,                  MIL-DTL-83513/03-B10N                  MR15P0-26Y1-36.0-S01, NICKEL PLATED SHELL</b>		MATERIAL 3	
	ALL EXTERNAL SPECIFICATIONS REFERENCED ON THIS DRAWING SHALL BE THE LATEST REVISION IN EFFECT	CHECKED BY & DATE <b>DW 11/15/19</b>	ENG PROJECT # <b>NONE</b>		SHEET NO. <b>1 OF 1</b>	
	Uti-Mate CAGE CODE <b>58967</b>	APPROVED BY & DATE <b>DW 11/15/19</b>	CAD FILENAME <b>SD-835121100.slddrw</b>	PART NO. <b>835121100</b>	DRAWING NO. <b>SD-835121100</b>	PART REV. -
	THIS DRAWING CONTAINS INFORMATION THAT IS PROPRIETARY TO ULTI-MATE INCORPORATED AND SHOULD NOT BE USED WITHOUT WRITTEN PERMISSION.					

