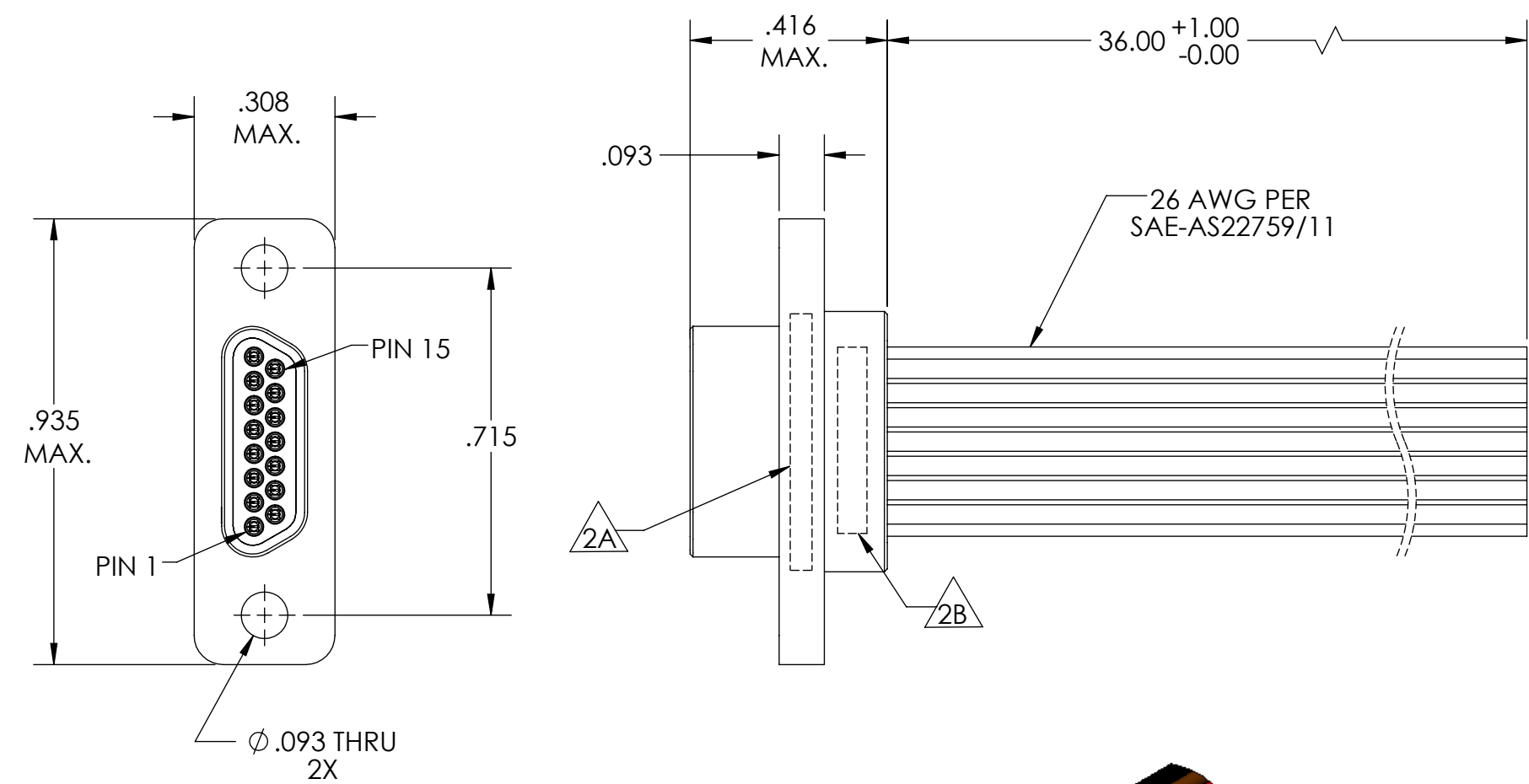
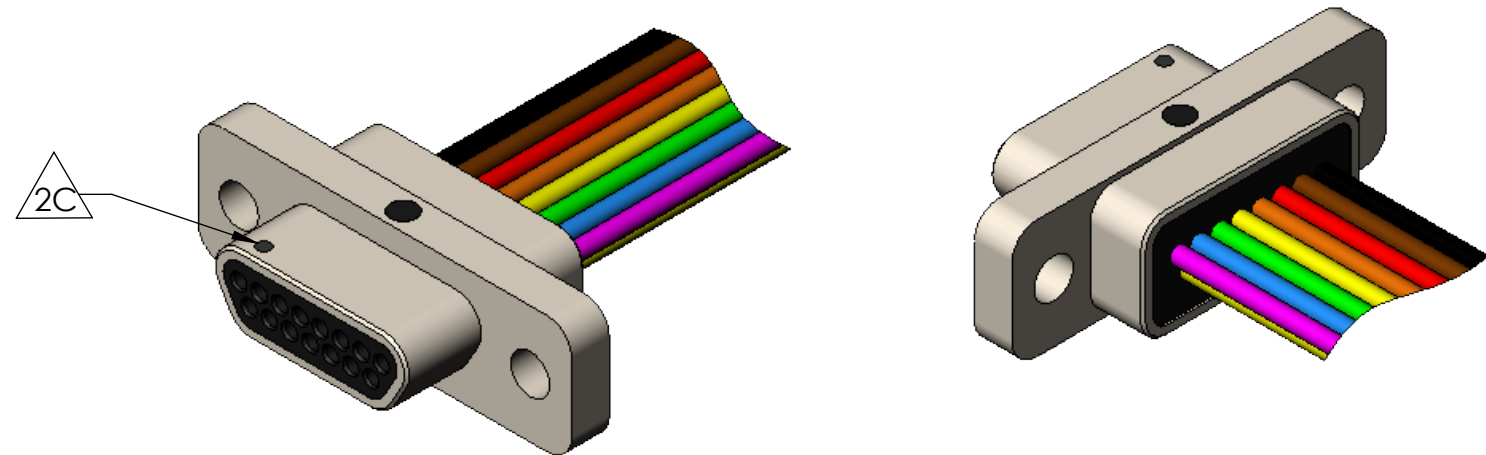


PART REV		DWG ISSUE	DATE	ECN NO.	APPVD BY	REL BY
-		-	3/14/18	UMI6701	DW	DW

F
E
D
C
B
A



1	BLK
2	BRN
3	RED
4	ORG
5	YEL
6	GRN
7	BLU
8	VIO
9	GRY
10	WHT
11	BLK
12	BRN
13	RED
14	ORG
15	YEL



- 5. CONTACT HEIGHTS ARE TO BE PER QA-STD-101.
- 4. PERFORMANCE SPECIFICATIONS:
CURRENT RATING: 3 AMPS MAX.
INSULATION RESISTANCE: 5000 MEGOHMS MIN.
DWV: 600 VAC
TEMPERATURE RATING: 125° C

3 MATERIALS:
SHELL: 6061-T6 ALUMINUM PER AMS-QQ-A200/8, NICKEL PLATED PER AMS-2404
INSULATOR: PPS PER MIL-M-24519 GST-40F, COLOR: BLACK
PIN CONTACTS: C17200 BERYLLIUM COPPER PER ASTM B194, GOLD PLATED PER ASTM B488
WIRE: 26 AWG PER SAE-AS27759/11-26, COLOR CODE: REPEATING 10 COLERS PER MIL-STD-681

- 2. MARKING:
2A "UMI", M83513/03-B04N
2B DATE CODE, UMI WORK ORDER NUMBER
2C A DOT INDICATING POSITION 1

1. CONNECTOR ASSEMBLY IS IAW MIL-DTL-83513 UNLESS OTHERWISE SPECIFIED.
NOTES: UNLESS OTHERWISE SPECIFIED.

QUALITY SYMBOLS CRITICAL C MAJOR ▼ NO SYMBOLS = MINOR DIMENSIONS	UNLESS OTHERWISE SPECIFIED: ALL DIMENSIONS ARE IN INCHES	SCALE 3:1	DWG SIZE B	THIRD ANGLE PROJECTION	REVISE ON CAD ONLY	
	GENERAL TOLERANCES: 3 PLACES ±.005 2 PLACES ±.01 ANGULAR ±2°	DRAWN BY & DATE DU 3/14/18		TITLE: MICRO-D CONNECTOR ASSEMBLY, MIL-DTL-83513/03-B04N, MR15PO-26M6-36.00, NICKEL PLT SHELL		
		CHECKED BY & DATE DW 3/14/18		MATERIAL: 3	ENG PROJECT #: NONE	
		APPROVED BY & DATE DW 3/14/18				
	ULTI-MATE CAGE CODE 58967	CAD FILE NAME SD-835121040.SLDDRW	PART NO. 835121040	DRAWING NO. SD-835121040	SHEET NO. 1 of 1	
THIS DRAWING CONTAINS INFORMATION THAT IS PROPRIETARY TO ULTI-MATE INCORPORATED AND SHOULD NOT BE USED WITHOUT WRITTEN PERMISSION.						