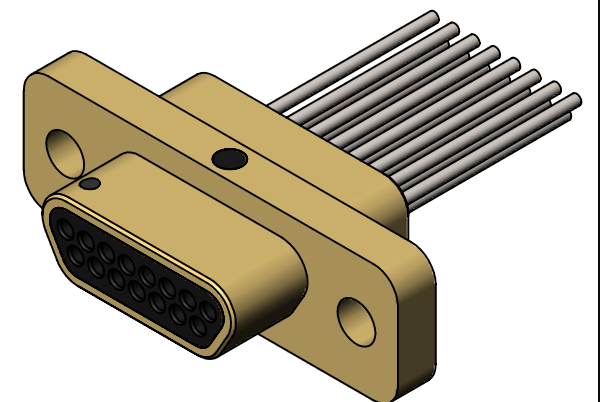
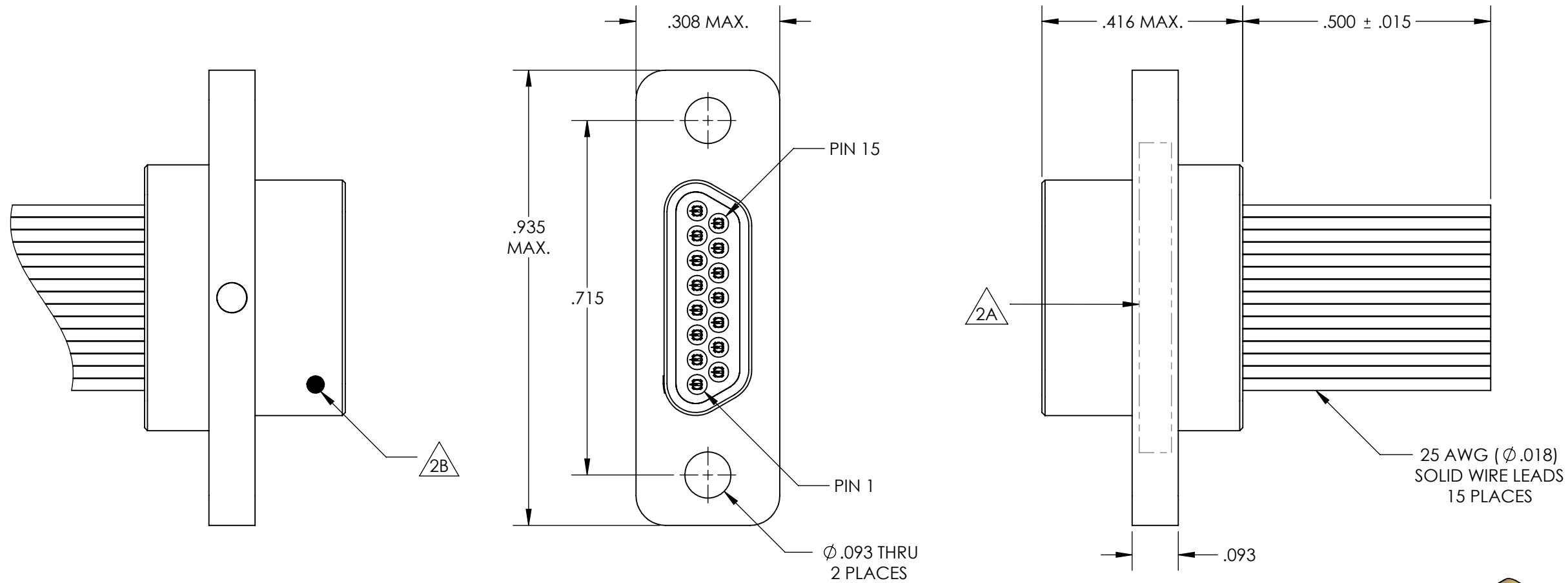


REVISIONS

PART REV.	DWG. ISSUE	DATE	ECN NO.	APPVD. BY	REL. BY
-	-	07/31/2015	UMI5695	DW	DW



4. PERFORMANCE SPECIFICATIONS: MEETS OR EXCEEDS REQUIREMENTS OF MIL-DTL-83513

3 MATERIALS:
 SHELL: 6061-T6 ALUMINUM PER AMS-QQ-A200/8, CADMIUM PLATED PER AMS-QQ-P-416
 INSULATOR: PPS PER MIL-M-24519 GST-40F, COLOR: BLK
 PIN CONTACTS: C17200 BERYLLIUM COPPER PER ASTM B194, GOLD PLATED PER ASTM B488
 25 AWG LEADS: 60/40 TIN/LEAD PLATED COPPER ALLOY

2. MARKINGS: 2A "UMI", DATE CODE, AND "M83513/03-B07C"

2B BLACK DOT INDICATING POSITION 1

1. CONNECTOR ASSEMBLY IS IAW MIL-DTL-83513 UNLESS OTHERWISE SPECIFIED

NOTES: UNLESS OTHERWISE SPECIFIED

QUALITY SYMBOLS CRITICAL MAJOR NO SYMBOL = MINOR DIMENSION	UNLESS SPECIFIED: ALL DIMENSIONS IN INCHES GENERAL TOLERANCES: 3 PLACE ±.005 2 PLACE ±.01 ANGULAR ±2° ALL EXTERNAL SPECIFICATIONS REFERENCED ON THIS DRAWING SHALL BE THE LATEST REVISION IN EFFECT Ulti-Mate CAGE CODE 58967	SCALE 4:1 DWG SIZE B	THIRD ANGLE PROJECTION 	REVISE ON CAD ONLY		
	DRAWN BY & DATE JB 07/31/2015 CHECKED BY & DATE DW 8-3-15 APPROVED BY & DATE DW 8-3-15	TITLE MIL-SPEC MICRO-D WIRED CONNECTOR, PLUG (PINS), 15 POSITION, W/0.500 25 AWG LEADS M83513/03-B07C	MATERIAL 3	ENG PROJECT #		
	CAD FILENAME SD-835120070.slddrw	PART NO. 835120070	DRAWING NO. SD-835120070	SHEET NO. 1 OF 1	THIS DRAWING CONTAINS INFORMATION THAT IS PROPRIETARY TO ULTI-MATE INCORPORATED AND SHOULD NOT BE USED WITHOUT WRITTEN PERMISSION.	
	Ulti-Mate CAGE CODE 58967	PART NO. 835120070	DRAWING NO. SD-835120070	SHEET NO. 1 OF 1	PART REV. -	
	Ulti-Mate CAGE CODE 58967	PART NO. 835120070	DRAWING NO. SD-835120070	SHEET NO. 1 OF 1	PART REV. -	