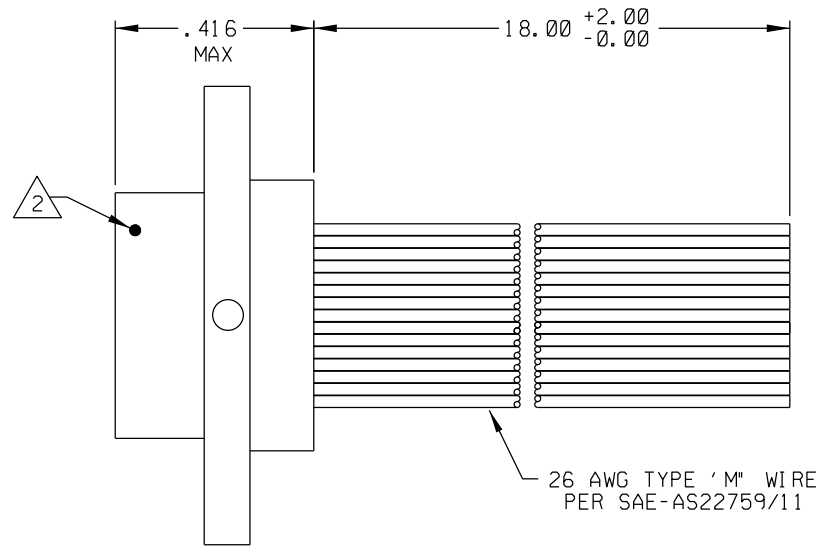
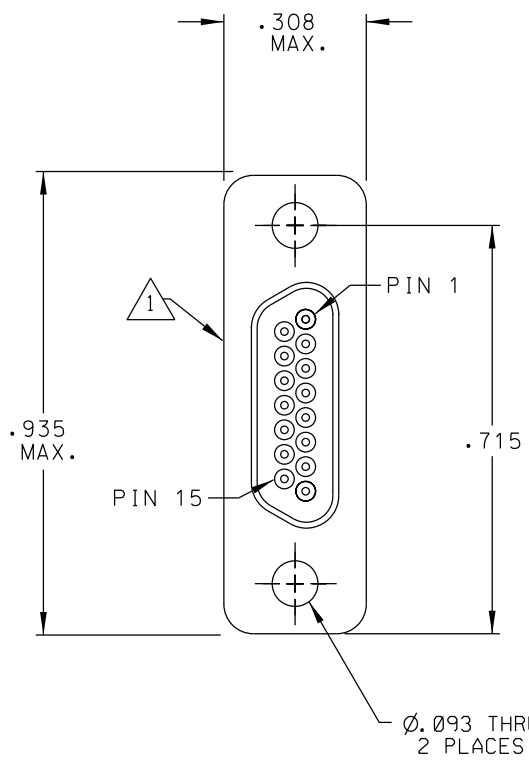


PART REV	DWG ISSUE	DATE	ECN NO.	APPVD BY	REL BY
-	-	11-20-17	UMI 6567	DW	DW



1	WHT
2	WHT
3	WHT
4	WHT
5	WHT
6	WHT
7	WHT
8	WHT
9	WHT
10	WHT
11	WHT
12	WHT
13	WHT
14	WHT
15	WHT

4. PERFORMANCE SPECIFICATIONS: MEET OR EXCEED REQUIREMENTS OF MIL-DTL-83513

3 MATERIALS:
 SHELL: 6061-T6 ALUMINUM PER AMS-QQ-A200/8, CADMIUM PLATED PER AMS-QQ-P-416
 INSULATOR: PPS PER MIL-M-24519 GST-40F
 PIN CONTACTS: C17200 BERYLLIUM COPPER PER ASTM-B194,
 GOLD PLATED PER ASTM B488

2 MARK POSITION 1 WITH A DOT AT LOCATION SHOWN

1 MARKING: "M83513/03-B01C", UMI, UMI DATE CODE, AND WORK ORDER NUMBER
 ON FLANGE AT LOCATION SHOWN
 NOTES: UNLESS OTHERWISE SPECIFIED.

QUALITY SYMBOLS CRITICAL SPECIAL KEY	UNLESS SPECIFIED: ALL DIMENSIONS IN INCHES GENERAL TOLERANCES: 3 PLACE $\pm .005$ 2 PLACE $\pm .005$ ANGULAR $\pm 2^\circ$	SCALE 4:1	DWG SIZE B	THIRD ANGLE PROJECTION	REVISE ON CAD ONLY	
	ALL EXTERNAL SPECIFICATIONS REFERENCED ON THIS DRAWING SHALL BE TO THE LATEST REVISION IN EFFECT Ulti-Mate CAGE CODE 58967	DRAWN BY & DATE DW 6-4-13 CHECKED BY & DATE SEE ECN APPROVED BY & DATE SEE ECN	TITLE: MIL-SPEC MICRO-D PLUG (PINS), 15 POSITION, WIRED, M83513/03-B01C		MATERIAL: 3	Ulti-Mate Connector Inc.
		CAD FILENAME SD-835120010.DGN	PART NO. 835120010	DRAWING NO. SD-835120010	SHEET NO. 1 OF 1	PART REV -
		THIS DRAWING CONTAINS INFORMATION THAT IS PROPRIETARY TO ULTI-MATE INCORPORATED AND SHOULD NOT BE USED WITHOUT WRITTEN PERMISSION.				