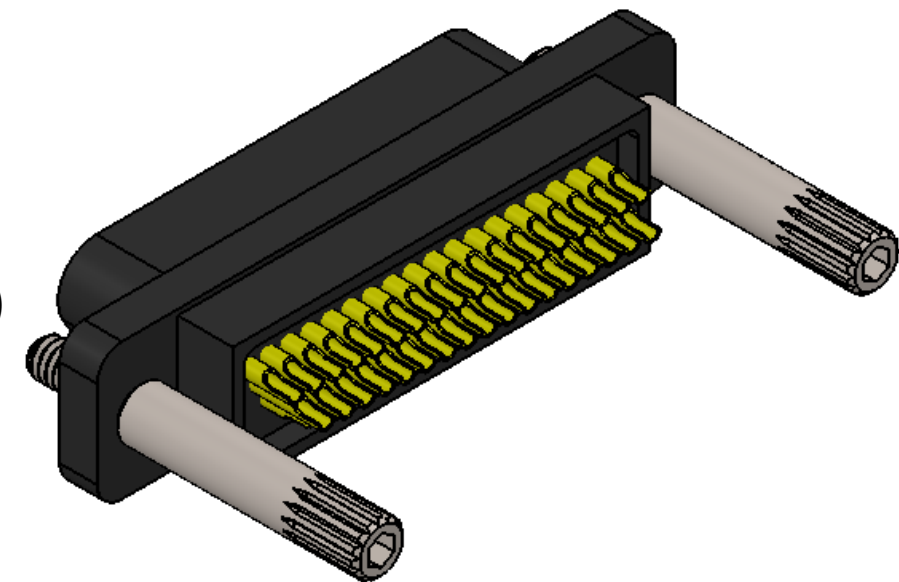
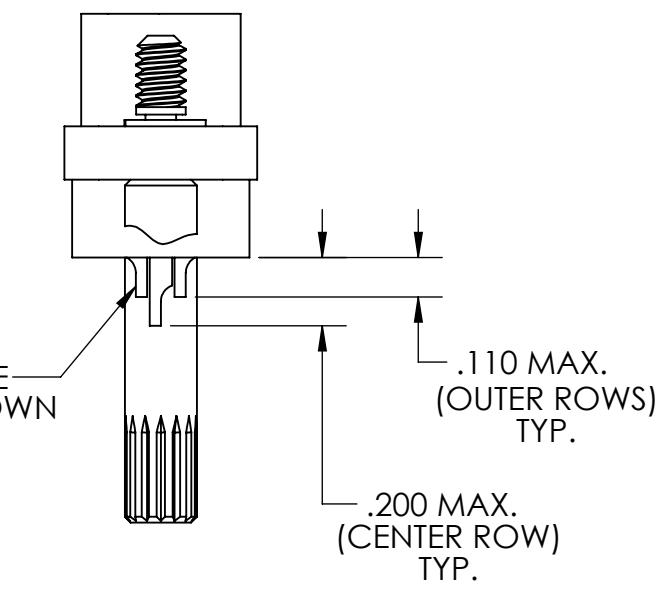
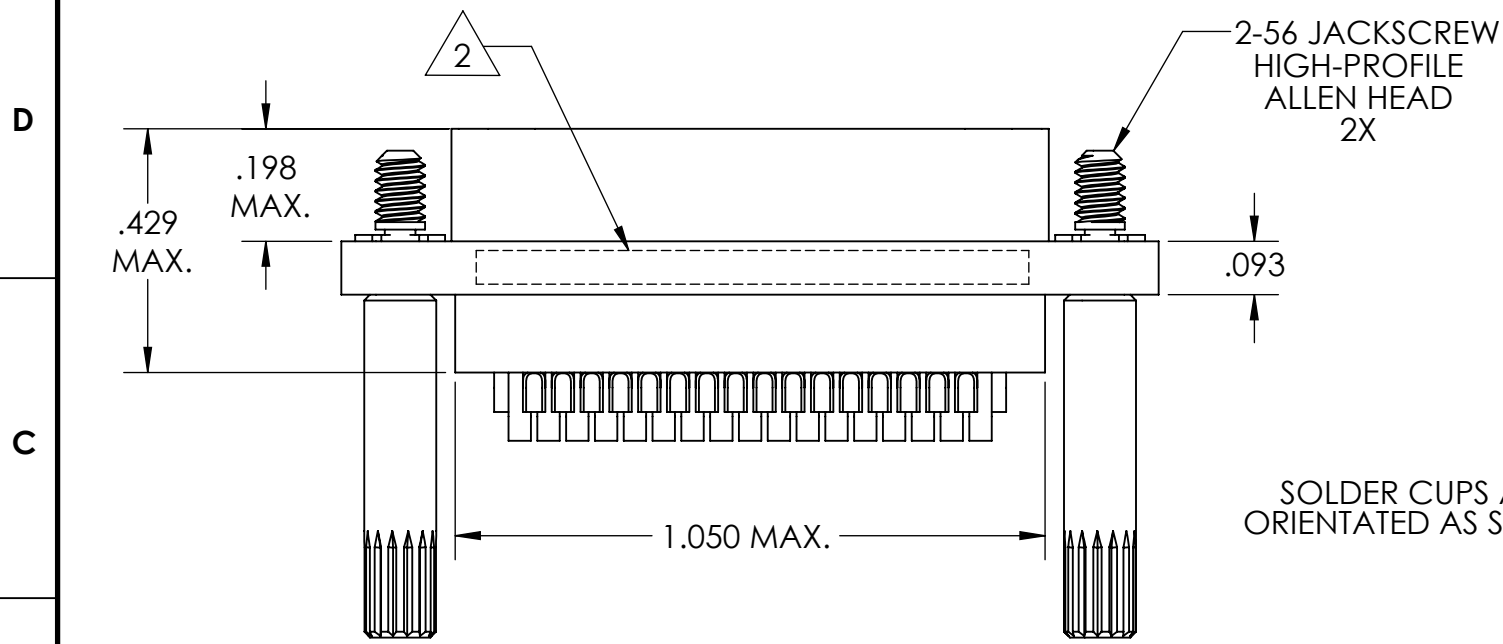
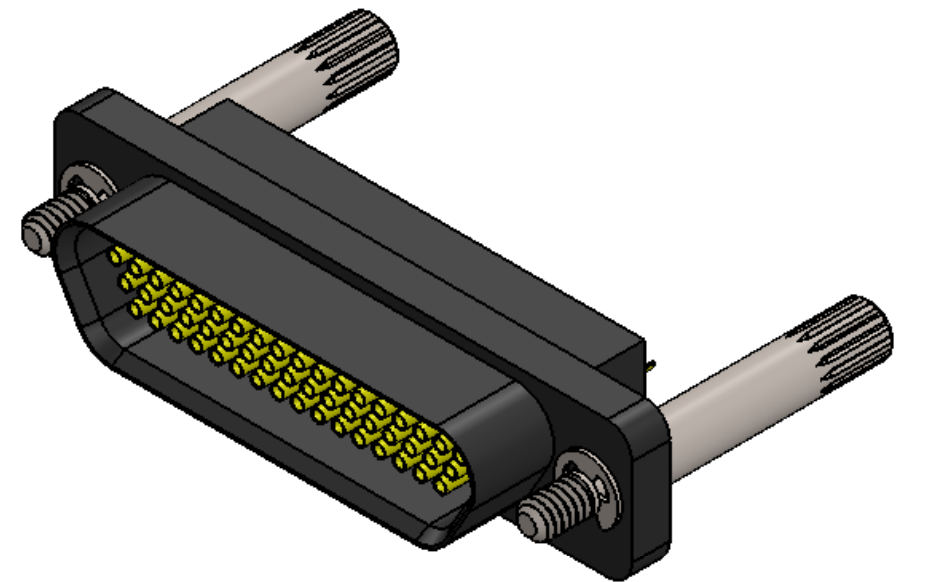
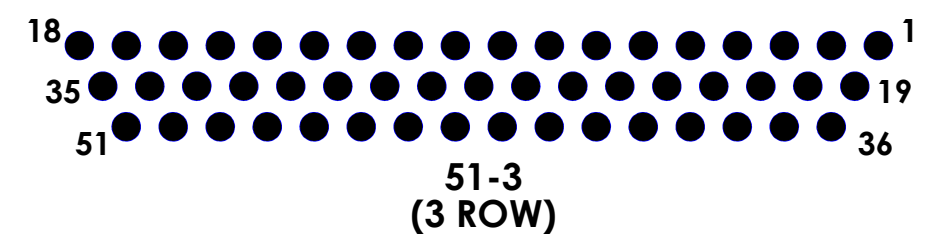
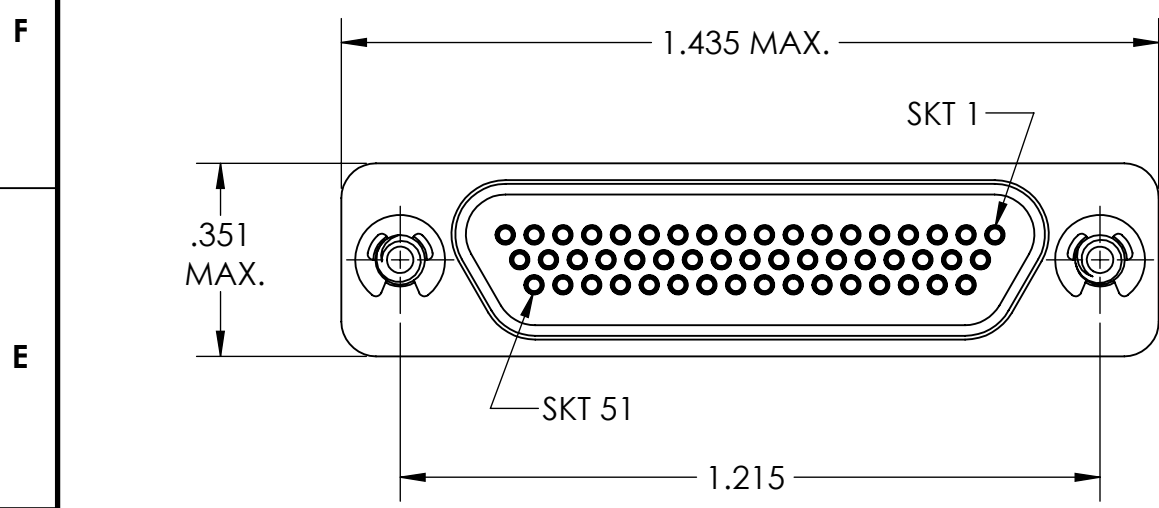


PART REV	DWG ISSUE	DATE	ECN NO.	APPVD BY	REL BY
-	-	11/7/16	UMI6137	DW	DW



4. PERFORMANCE SPECIFICATIONS:
 CURRENT RATING: 3 AMPS MAX.
 DWV: 600 VAC
 TEMPERATURE RATING: 125° C

3 MATERIALS:
 SHELL: PPS PER MIL-M-24519 GST-40F, COLOR: BLACK
 SOCKET CONTACTS: C31400 COPPER ALLOY PER ASTM B140, GOLD PLATED PER ASTM B488
 HARDWARE: PASSIVATED STAINLESS STEEL IAW MIL-DTL-83513/5

2 MARKING: "UMI", DATE CODE, UMI PART NUMBER, UMI WORK ORDER NUMBER

1. CONNECTOR ASSEMBLY IS IAW MIL-DTL-83513 UNLESS OTHERWISE SPECIFIED.

NOTES: UNLESS OTHERWISE SPECIFIED.

QUALITY SYMBOLS	UNLESS OTHERWISE SPECIFIED: ALL DIMENSIONS ARE IN INCHES	SCALE 3:1	DWG SIZE B	THIRD ANGLE PROJECTION	REVISE ON CAD ONLY
CRITICAL C	GENERAL TOLERANCES:	DRAWN BY & DATE DU 11/7/16	TITLE: MICRO-D SOLDER CUP CONNECTOR, BR51-3T03, RECEPTACLE, SIZE 51-3, 2-56 JACKSCREWS, SOLDER CUPS		
MAJOR	3 PLACES ±.005 2 PLACES ±.01 ANGULAR ±2°	CHECKED BY & DATE DW 11/7/16	MATERIAL: 3	ENG PROJECT #: NONE	
NO SYMBOLS = MINOR DIMENSIONS	ULTI-MATE CAGE CODE 58967	APPROVED BY & DATE DW 11/7/16	PART NO. 834878003	DRAWING NO. SD-834878003	
		CAD FILE NAME SD-834878003.SLDDRW	SHEET NO. 1 of 1		PART REV. -
THIS DRAWING CONTAINS INFORMATION THAT IS PROPRIETARY TO ULTI-MATE INCORPORATED AND SHOULD NOT BE USED WITHOUT WRITTEN PERMISSION.					