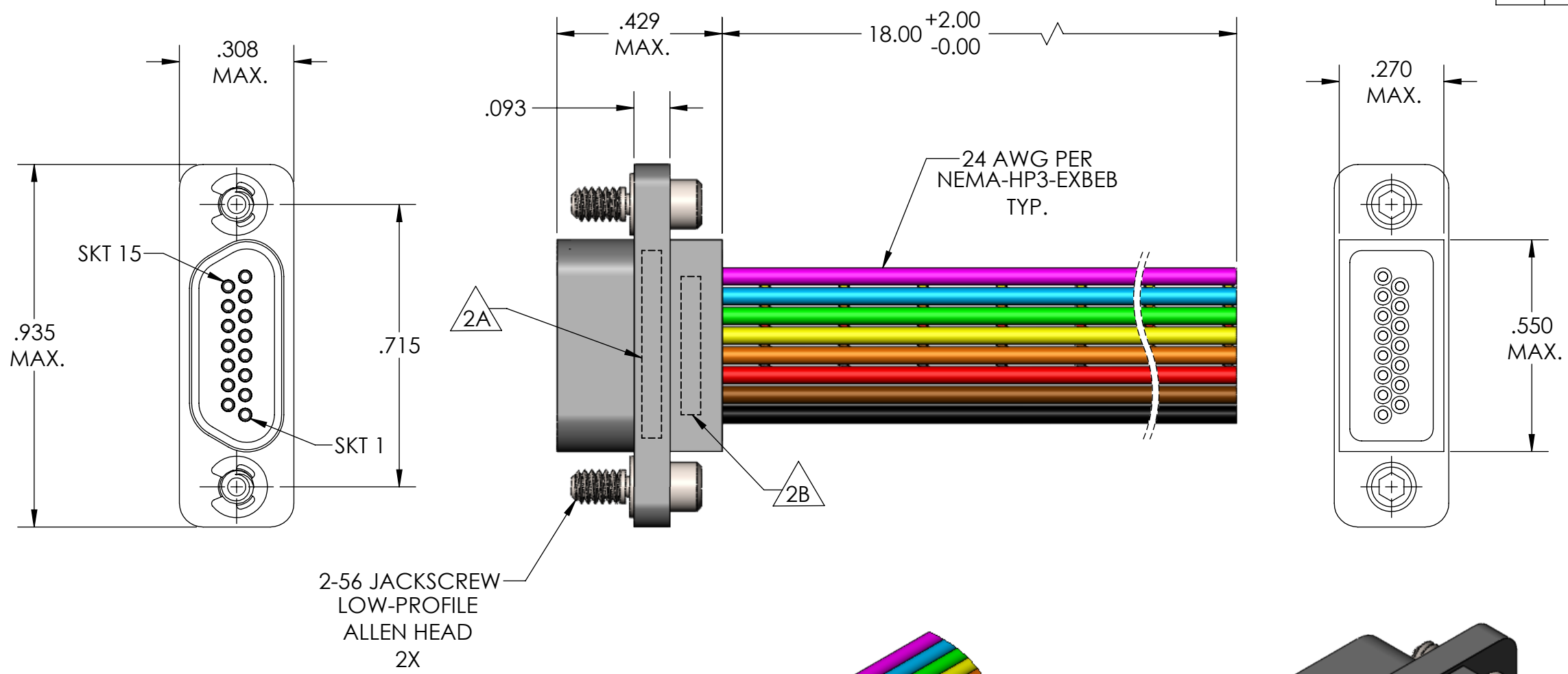
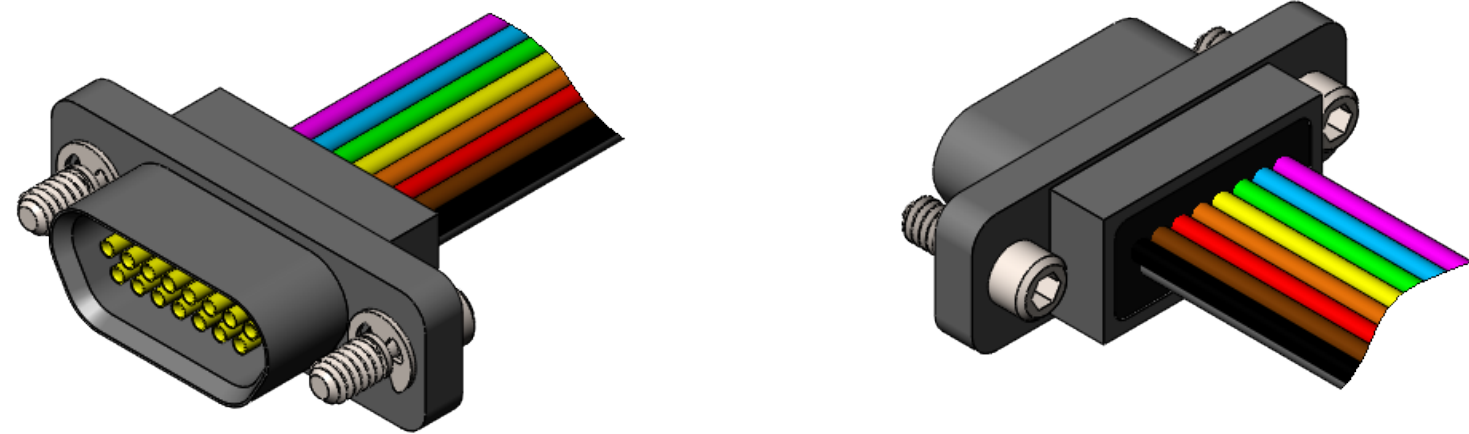


PART REV	DWG ISSUE	DATE	ECN NO.	APPVD BY	REL BY
-	-	09/26/19	UMI7282	DU	DW
-	A	01/06/20	UMI7352	FA	DW

F
E
D
C
B
A



1	BLK
2	BRN
3	RED
4	ORG
5	YEL
6	GRN
7	BLU
8	VIO
9	GRY
10	WHT
11	W/BLK
12	W/BRN
13	W/RED
14	W/ORG
15	W/YEL



- 5. CONTACT HEIGHTS ARE TO BE PER QA-STD-101.
- 4. PERFORMANCE SPECIFICATIONS:
CURRENT RATING: 3 AMPS MAX.
INSULATION RESISTANCE: 5000 MEGOHMS MIN.
DWV: 600 VAC
TEMPERATURE RATING: -55°C TO 125°C

3 MATERIALS:
SHELL: PPS PER MIL-M-24519 GST-40F, COLOR: BLACK
SOCKET CONTACTS: C21000 COPPER ALLOY PER ASTM B36, GOLD PLATED PER ASTM B488
WIRE: 24 AWG PER NEMA-HP3-EXBEB, COLOR CODE: PER MIL-STD-681
HARDWARE: PASSIVATED STAINLESS STEEL IAW MIL-DTL-83513/5

2. MARKING: 2A "UMI", UMI PART NUMBER
2B DATE CODE, UMI WORK ORDER NUMBER
NOTE: MARKING LOCATIONS ARE SHOWN FOR REFERENCE ONLY.
ACTUAL LOCATIONS AND INFORMATION MAY VARY.

1. CONNECTOR ASSEMBLY IS IAW MIL-DTL-83513 UNLESS OTHERWISE SPECIFIED.

NOTES: UNLESS OTHERWISE SPECIFIED.

QUALITY SYMBOLS CRITICAL MAJOR NO SYMBOLS = MINOR DIMENSIONS	UNLESS OTHERWISE SPECIFIED: ALL DIMENSIONS ARE IN INCHES	SCALE 3:1	DWG SIZE B	THIRD ANGLE PROJECTION	REVISE ON CAD ONLY
	GENERAL TOLERANCES: 3 PLACES ±.005 2 PLACES ±.01 ANGULAR ±2°	DRAWN BY & DATE DU 9/26/19	TITLE: MICRO-D CONNECTOR ASSEMBLY, "BR" SERIES, BR15S02-24E5-18.0		
		CHECKED BY & DATE DW 9/26/19	MATERIAL: 3	ENG PROJECT #: NONE	
		APPROVED BY & DATE DW 9/26/19	PART NO. 834828242	DRAWING NO. SD-834828242	
	ULTI-MATE CAGE CODE 58967	CAD FILE NAME SD-834828242.slddrw	THIS DRAWING CONTAINS INFORMATION THAT IS PROPRIETARY TO ULTI-MATE INCORPORATED AND SHOULD NOT BE USED WITHOUT WRITTEN PERMISSION.		