

PART REV	DWG ISSUE	DATE	ECN NO.	APPVD BY	REL BY
-	-	3/10/20	UMI7423	DU	DW

F

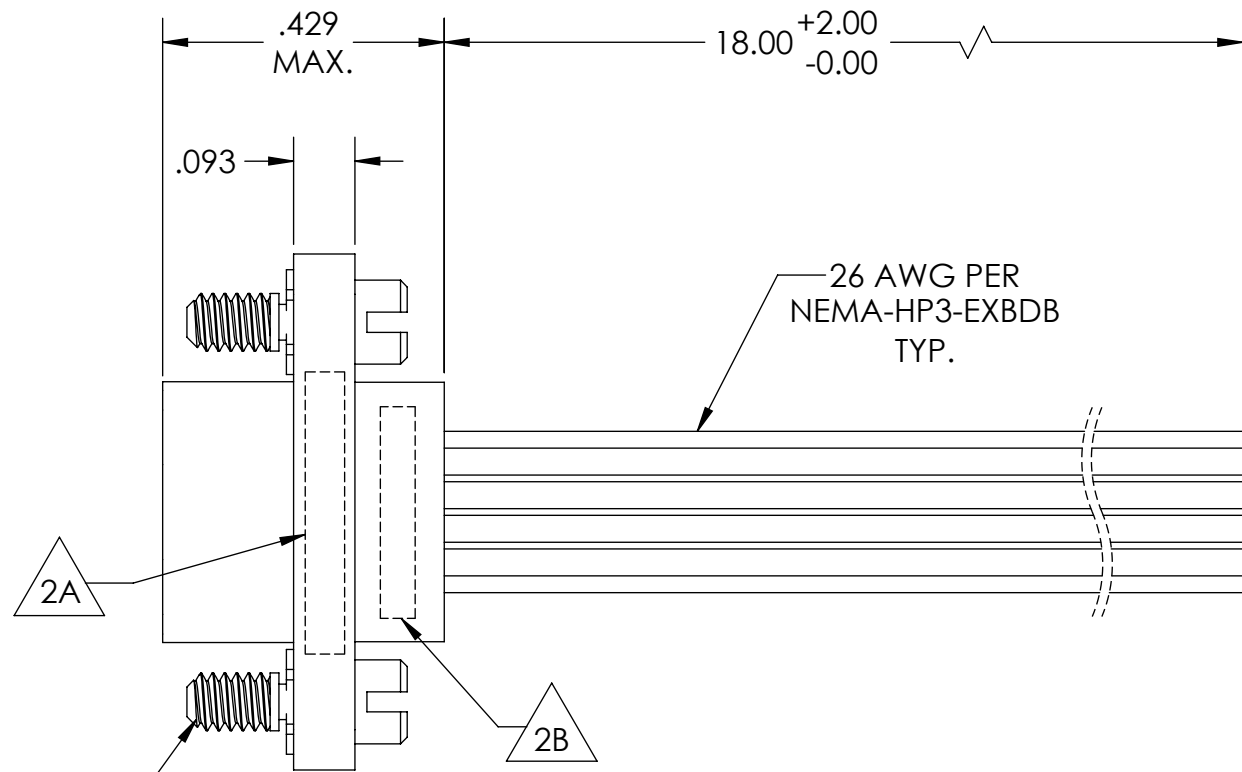
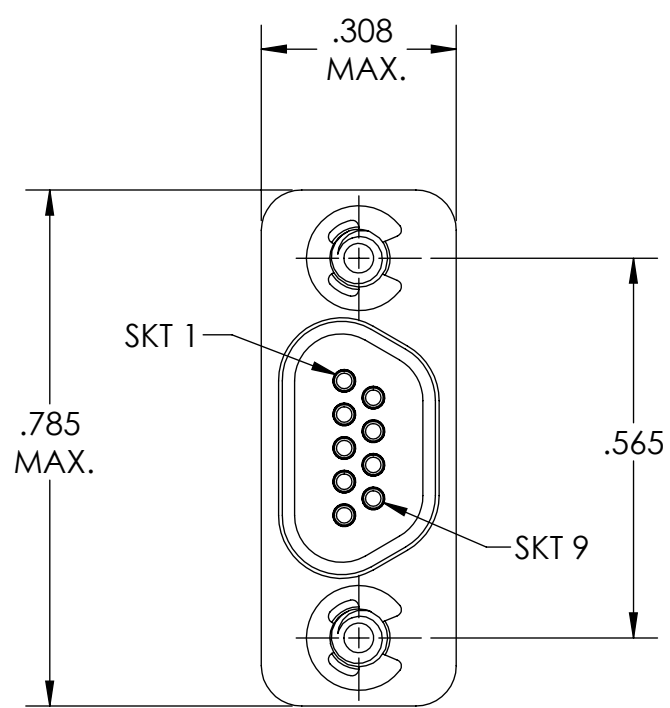
E

D

C

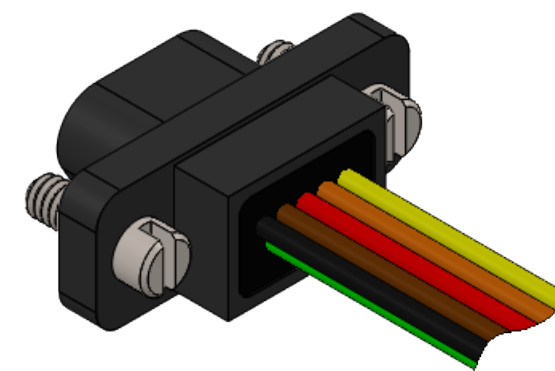
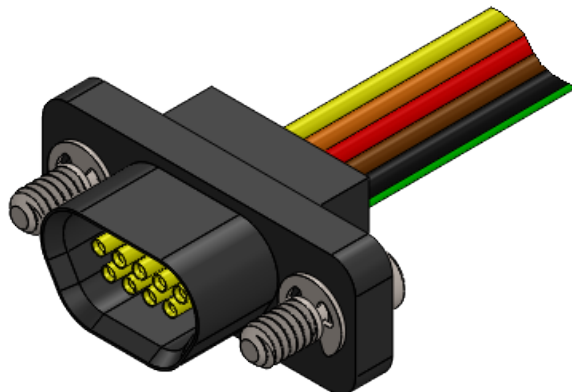
B

A



1	BLK
2	BRN
3	RED
4	ORG
5	YEL
6	GRN
7	BLU
8	VIO
9	GRY

2-56 JACKSCREW  
LOW PROFILE  
SLOTTED HEAD  
2X



- 5. CONTACT HEIGHTS ARE TO BE PER QA-STD-101.
- 4. PERFORMANCE SPECIFICATIONS:  
CURRENT RATING: 3 AMPS MAX.  
DWV: 600 VAC  
TEMPERATURE RATING: -55°C TO 125°C

3 MATERIALS:  
SHELL: PPS PER MIL-M-24519 GST-40F, COLOR: BLACK  
SOCKET CONTACTS: C21000 COPPER ALLOY PER ASTM B36, GOLD PLATED PER ASTM B488  
WIRES: 26 AWG PER NEMA-HP3-EXBDB, COLOR CODE: REPEATING 10 COLORS PER MIL-STD-681  
HARDWARE: PASIVATED STAINLESS STEEL IAW MIL-DTL-83513/5

2. MARKING: "UMI", UMI PART NUMBER

DATE CODE, UMI WORK ORDER NUMBER

1. CONNECTOR ASSEMBLY IS IAW MIL-DTL-83513 UNLESS OTHERWISE SPECIFIED.

**NOTES: UNLESS OTHERWISE SPECIFIED.**

QUALITY SYMBOLS  CRITICAL   MAJOR   NO SYMBOLS = MINOR DIMENSIONS	UNLESS OTHERWISE SPECIFIED: ALL DIMENSIONS ARE IN INCHES	SCALE <b>NONE</b>	DWG SIZE <b>B</b>	THIRD ANGLE PROJECTION	<b>REVISE ON CAD ONLY</b>		
	GENERAL TOLERANCES:  3 PLACES ±.005 2 PLACES ±.01 ANGULAR ±2°	DRAWN BY & DATE <b>DU 3/10/20</b>		TITLE: <b>MICRO-D CONNECTOR ASSEMBLY, "BR" SERIES, BR09S05-26E6-18.0</b>			
		CHECKED BY & DATE <b>DW 3/10/20</b>		MATERIAL: 	ENG PROJECT #:	<b>NONE</b>	
		APPROVED BY & DATE <b>DW 3/10/20</b>		PART NO. <b>834818655</b>	DRAWING NO. <b>SD-834818655</b>	SHEET NO. <b>1 of 1</b>	
	ULTI-MATE CAGE CODE <b>58967</b>	CAD FILE NAME <b>SD-834818655.slddrw</b>		PART REV. <b>-</b>			
THIS DRAWING CONTAINS INFORMATION THAT IS PROPRIETARY TO ULTI-MATE INCORPORATED AND SHOULD NOT BE USED WITHOUT WRITTEN PERMISSION.							

