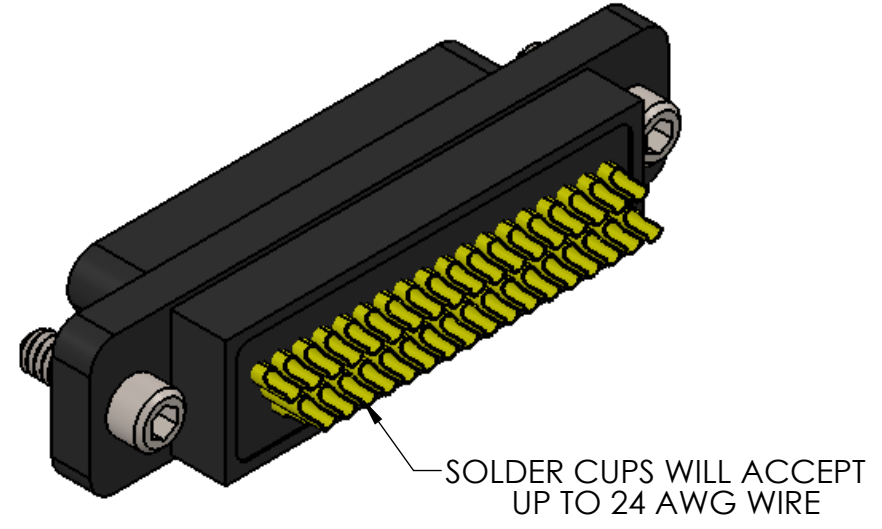
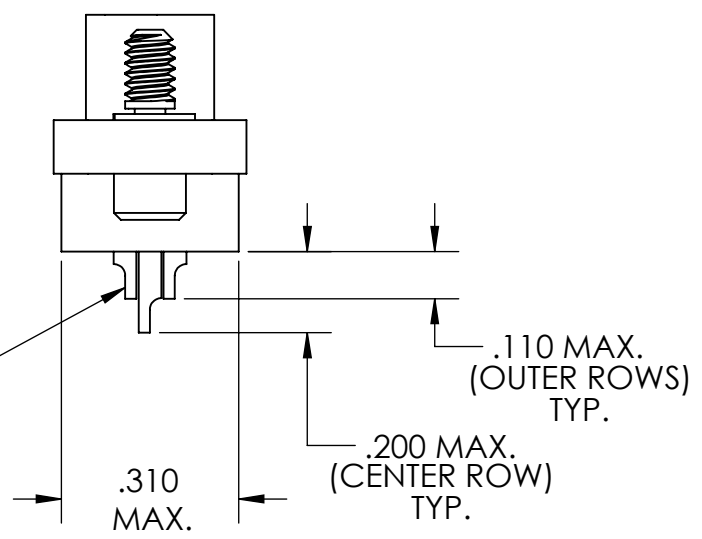
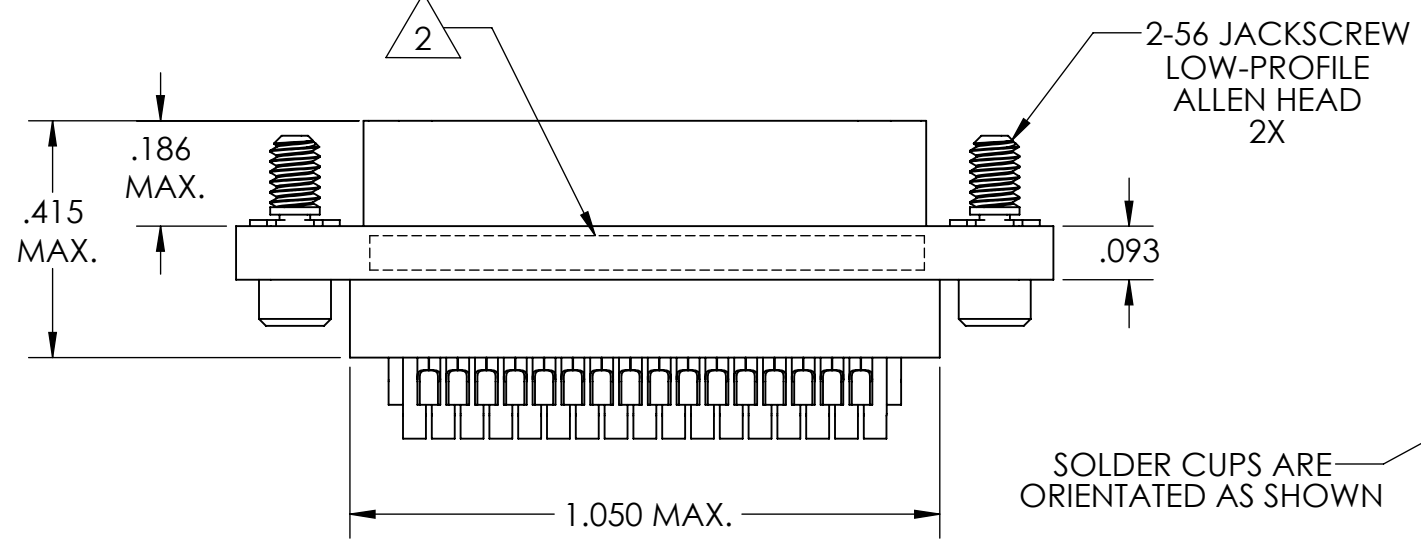
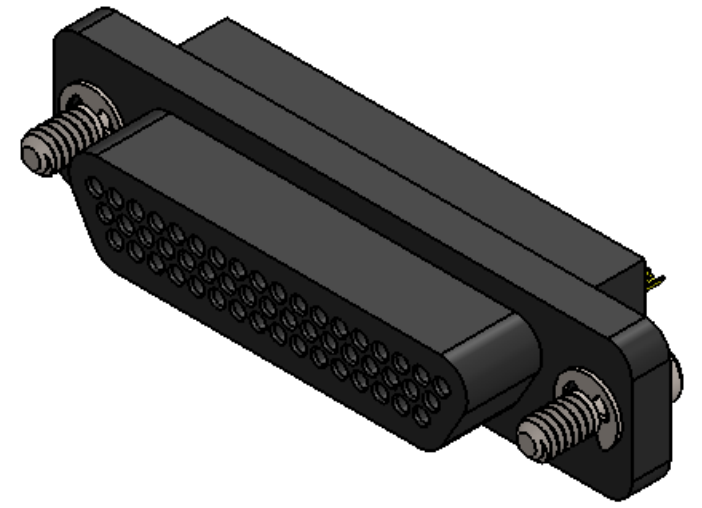
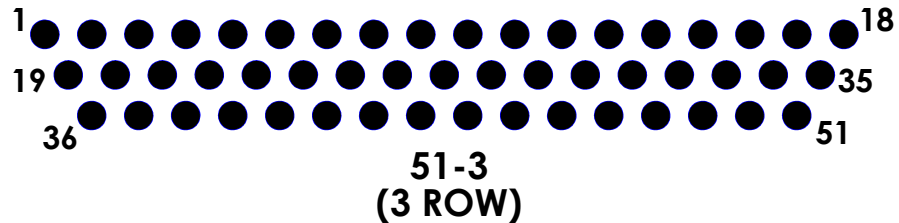
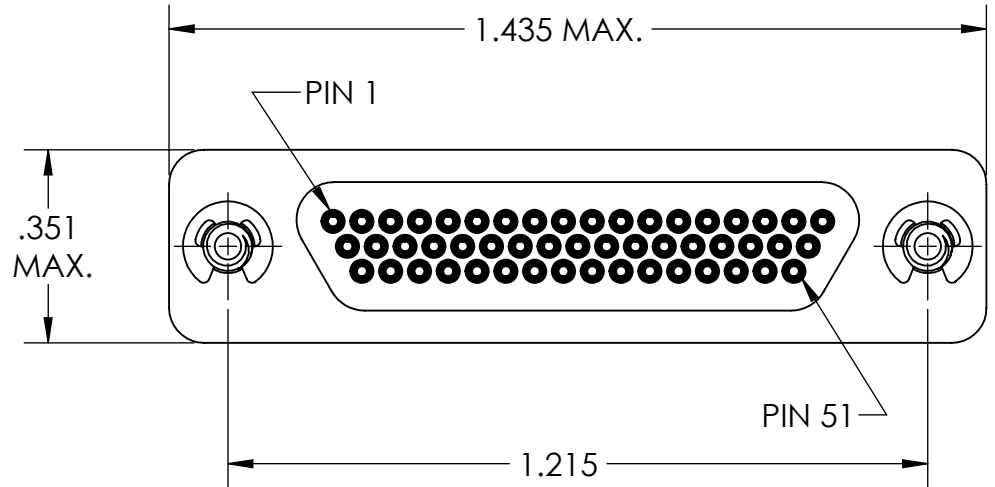


PART REV	DWG ISSUE	DATE	ECN NO.	APPVD BY	REL BY
-	-	11/7/16	UMI6137	DW	DW

F
E
D
C
B
A



4. PERFORMANCE SPECIFICATIONS:
CURRENT RATING: 3 AMPS MAX.
DWV: 600 VAC
TEMPERATURE RATING: 125° C

3 MATERIALS:
SHELL: PPS PER MIL-M-24519 GST-40F, COLOR: BLACK
PIN CONTACTS: C17200 BERYLLIUM COPPER ALLOY PER ASTM B194,
GOLD PLATED PER ASTM B488
HARDWARE: PASSIVATED STAINLESS STEEL IAW MIL-DTL-83513/5

2 MARKING: "UMI", DATE CODE, UMI PART NUMBER, UMI WORK ORDER NUMBER

1. CONNECTOR ASSEMBLY IS IAW MIL-DTL-83513 UNLESS OTHERWISE SPECIFIED.

NOTES: UNLESS OTHERWISE SPECIFIED.

QUALITY SYMBOLS CRITICAL MAJOR NO SYMBOLS = MINOR DIMENSIONS	UNLESS OTHERWISE SPECIFIED: ALL DIMENSIONS ARE IN INCHES	SCALE 3:1	DWG SIZE B	THIRD ANGLE PROJECTION	REVISE ON CAD ONLY	
	GENERAL TOLERANCES: 3 PLACES ±.005 2 PLACES ±.01 ANGULAR ±2°	DRAWN BY & DATE DU 11/7/16		TITLE: MICRO-D SOLDER CUP CONNECTOR, BR51-3N02, PLUG, SIZE 51-3, 2-56 JACKSCREWS, SOLDER CUP ACCEPTS 24 AWG WIRE		
	ULTI-MATE CAGE CODE 58967	CHECKED BY & DATE DW 11/7/16		MATERIAL: 3	ENG PROJECT #: NONE	
		APPROVED BY & DATE DW 11/7/16		PART NO. 834778002	DRAWING NO. SD-834778002	
		CAD FILE NAME SD-834778002.SLDDRW				PART REV. -
THIS DRAWING CONTAINS INFORMATION THAT IS PROPRIETARY TO ULTI-MATE INCORPORATED AND SHOULD NOT BE USED WITHOUT WRITTEN PERMISSION.						