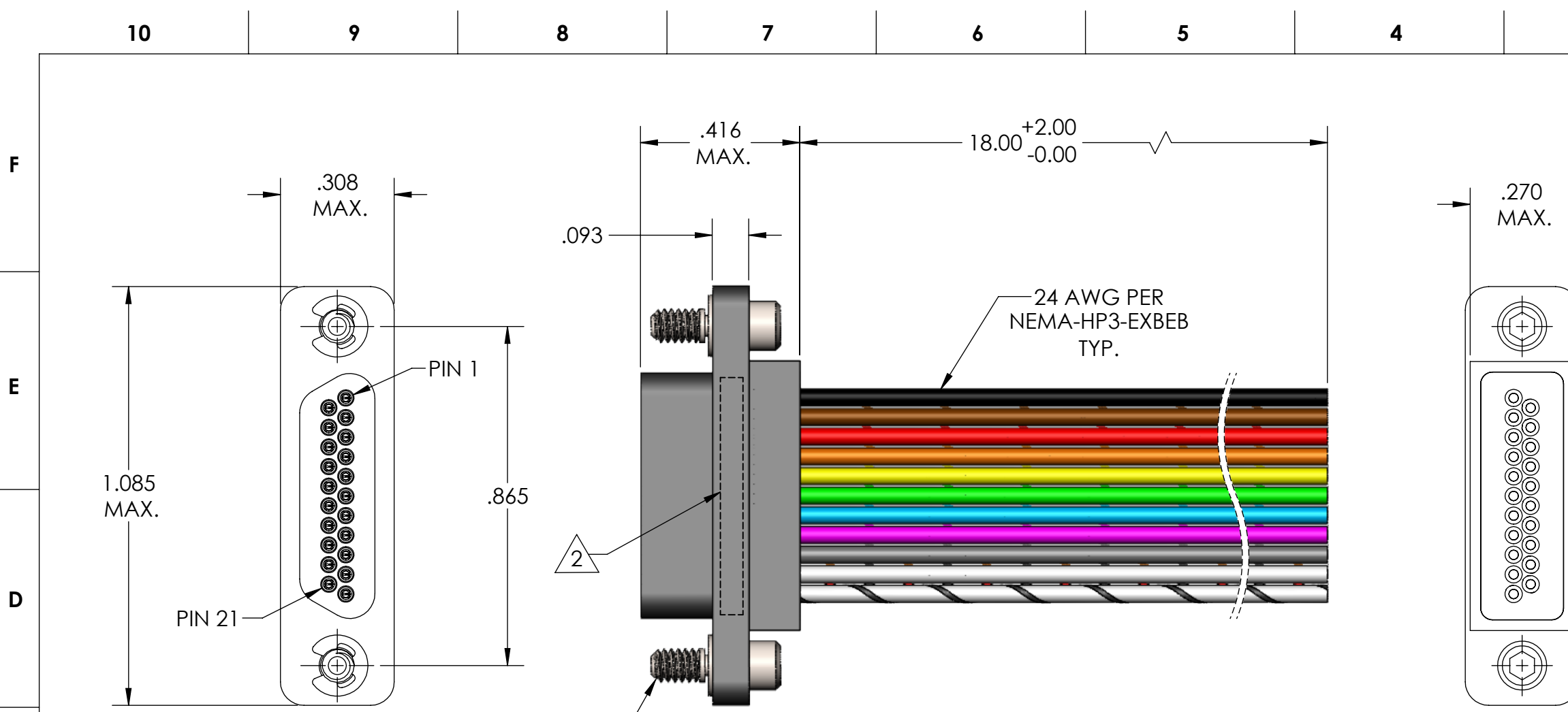
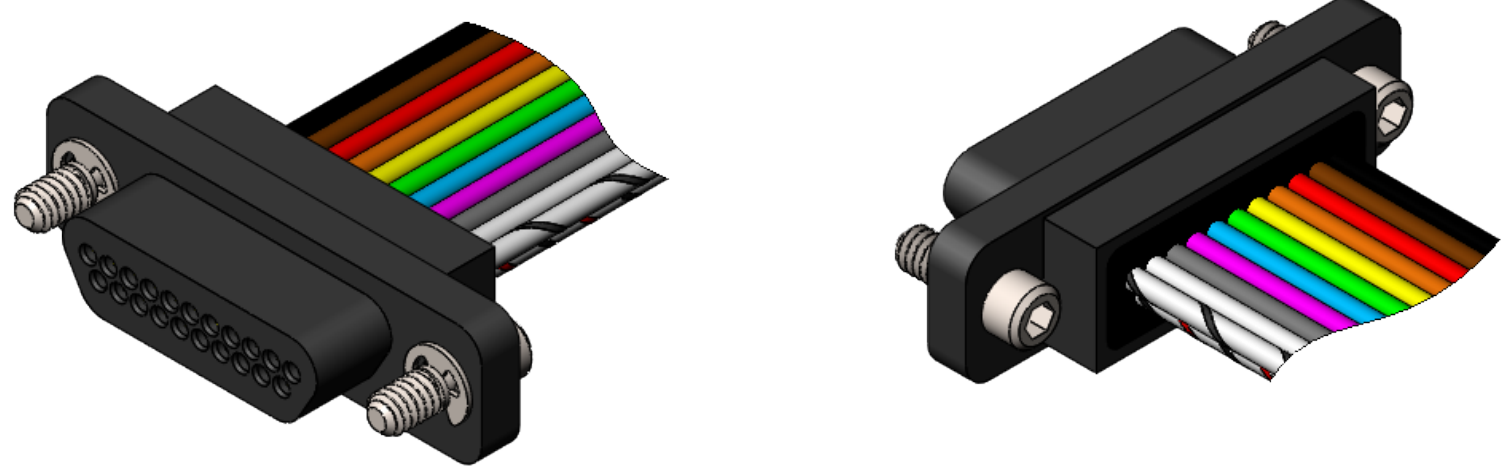


PART REV	DWG ISSUE	DATE	ECN NO.	APPVD BY	REL BY
-	-	09/26/19	UMI7282	DU	DW
-	A	01/06/20	UMI7352	FA	DW



1	BLK
2	BRN
3	RED
4	ORG
5	YEL
6	GRN
7	BLU
8	VIO
9	GRY
10	WHT
11	W/BLK
12	W/BRN
13	W/RED
14	W/ORG
15	W/YEL
16	W/GRN
17	W/BLU
18	W/VIO
19	W/GY
20	W/BLK/BRN
21	W/BLK/RED



5. CONTACT HEIGHTS ARE TO BE PER QA-STD-101.

4. PERFORMANCE SPECIFICATIONS:  
 CURRENT RATING: 3 AMPS MAX.  
 INSULATION RESISTANCE: 5000 MEGOHMS MIN.  
 DWV: 600 VAC  
 TEMPERATURE RATING: -55°C TO 125°C

3. MATERIALS:  
 SHELL: PPS PER MIL-M-24519 GST-40F, COLOR: BLACK  
 PIN CONTACTS: C17200 BERYLLIUM COPPER PER ASTM B194, GOLD PLATED PER ASTM B488  
 WIRE: 24 AWG PER NEMA-HP3-EXBEB, COLOR CODE: PER MIL-STD-681  
 HARDWARE: PASSIVATED STAINLESS STEEL IAW MIL-DTL-83513/5

2. MARKING: "UMI", DATE CODE, UMI PART NUMBER, UMI WORK ORDER NUMBER  
 NOTE: MARKING LOCATIONS ARE SHOWN FOR REFERENCE ONLY.  
 ACTUAL LOCATIONS AND INFORMATION MAY VARY.

1. CONNECTOR ASSEMBLY IS IAW MIL-DTL-83513 UNLESS OTHERWISE SPECIFIED.

**NOTES: UNLESS OTHERWISE SPECIFIED.**

QUALITY SYMBOLS	UNLESS OTHERWISE SPECIFIED: ALL DIMENSIONS ARE IN INCHES	SCALE 3:1	DWG SIZE B	THIRD ANGLE PROJECTION	REVISE ON CAD ONLY
CRITICAL C	GENERAL TOLERANCES: 3 PLACES ±.005 2 PLACES ±.01 ANGULAR ±2°	DRAWN BY & DATE DU 9/26/19	CHECKED BY & DATE DW 9/26/19	TITLE: MICRO-D CONNECTOR ASSEMBLY, "BR" SERIES, BR21P02-24E5-18.0	
MAJOR	ULTI-MATE CAGE CODE 58967	APPROVED BY & DATE DW 9/26/19	CAD FILE NAME SD-834738242.sliddrw	MATERIAL: 3	ENG PROJECT #: NONE
NO SYMBOLS = MINOR DIMENSIONS			PART NO. 834738242	DRAWING NO. SD-834738242	SHEET NO. 1 of 1
			THIS DRAWING CONTAINS INFORMATION THAT IS PROPRIETARY TO ULTI-MATE INCORPORATED AND SHOULD NOT BE USED WITHOUT WRITTEN PERMISSION.		PART REV. -

