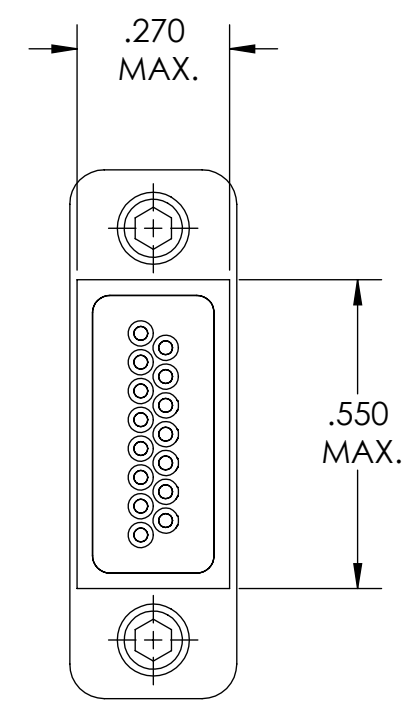
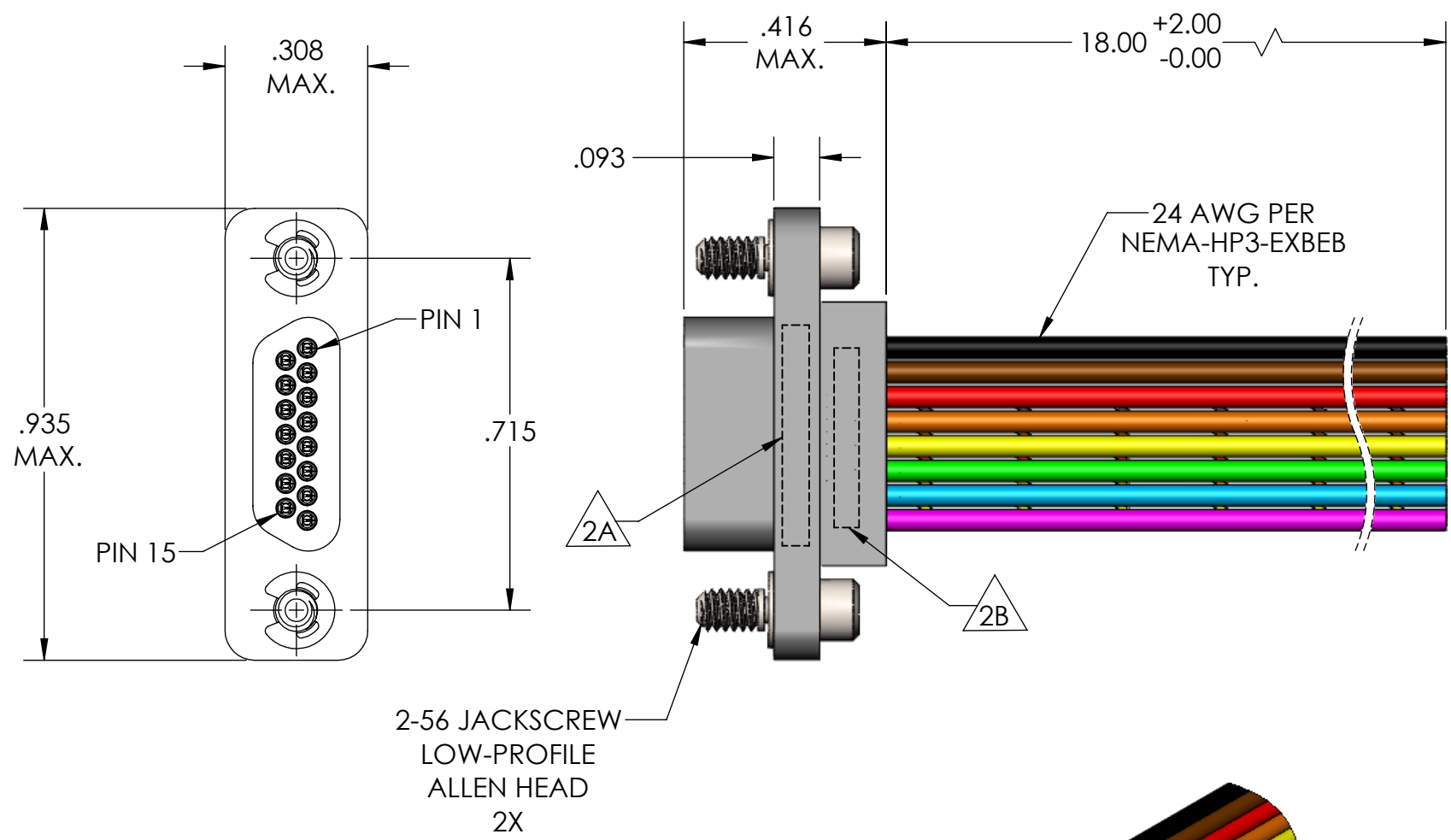
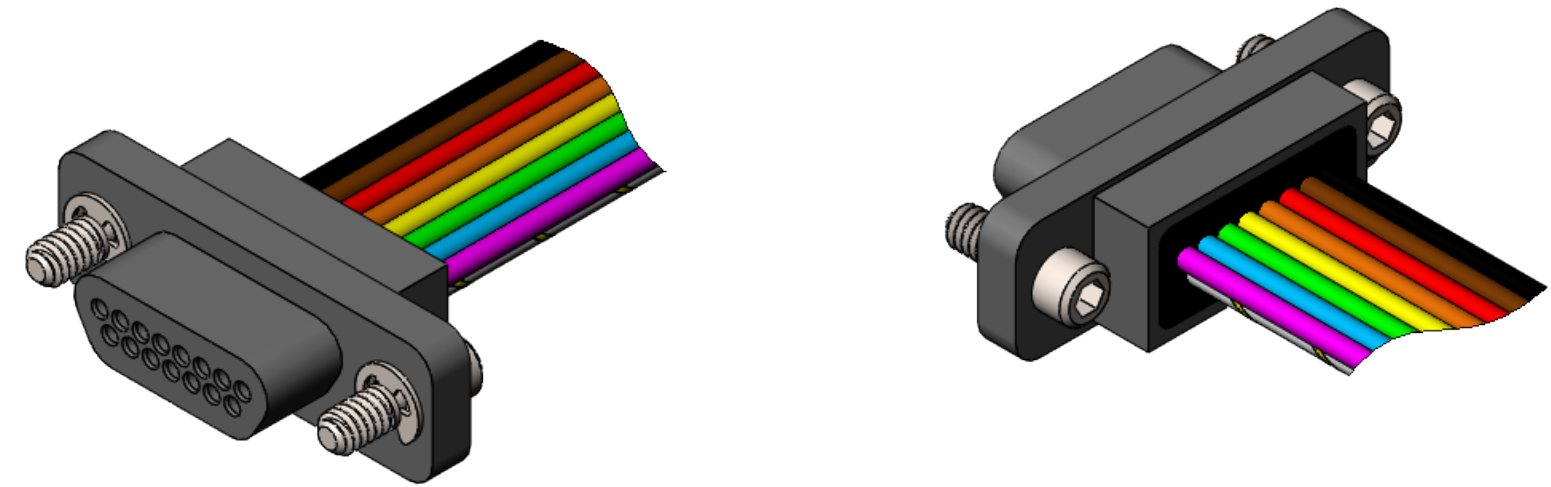


PART REV	DWG ISSUE	DATE	ECN NO.	APPVD BY	REL BY
-	-	09/26/19	UMI7282	DU	DW
-	A	01/06/20	UMI7352	FA	DW

F  
E  
D  
C  
B  
A



1	BLK
2	BRN
3	RED
4	ORG
5	YEL
6	GRN
7	BLU
8	VIO
9	GRY
10	WHT
11	W/BLK
12	W/BRN
13	W/RED
14	W/ORG
15	W/YEL



- 5. CONTACT HEIGHTS ARE TO BE PER QA-STD-101.
- 4. PERFORMANCE SPECIFICATIONS:  
CURRENT RATING: 3 AMPS MAX.  
INSULATION RESISTANCE: 5000 MEGOHMS MIN.  
DWV: 600 VAC  
TEMPERATURE RATING: -55°C TO 125°C

3 MATERIALS:  
SHELL: PPS PER MIL-M-24519 GST-40F, COLOR: BLACK  
PIN CONTACTS: C17200 BERYLLIUM COPPER PER ASTM B194, GOLD PLATED PER ASTM B488  
WIRE: 24 AWG PER NEMA-HP3-EXBEB, COLOR CODE: PER MIL-STD-681  
HARDWARE: PASSIVATED STAINLESS STEEL IAW MIL-DTL-83513/5

- 2. MARKING: "UMI", UMI PART NUMBER  
 DATE CODE, UMI WORK ORDER NUMBER

NOTE: MARKING LOCATIONS ARE SHOWN FOR REFERENCE ONLY. ACTUAL LOCATIONS AND INFORMATION MAY VARY.

- 1. CONNECTOR ASSEMBLY IS IAW MIL-DTL-83513 UNLESS OTHERWISE SPECIFIED.

**NOTES: UNLESS OTHERWISE SPECIFIED.**

QUALITY SYMBOLS  CRITICAL   MAJOR   NO SYMBOLS = MINOR DIMENSIONS	UNLESS OTHERWISE SPECIFIED: ALL DIMENSIONS ARE IN INCHES	SCALE <b>3:1</b>	DWG SIZE <b>B</b>	THIRD ANGLE PROJECTION 	<b>REVISE ON CAD ONLY</b>		
	GENERAL TOLERANCES:  3 PLACES ±.005 2 PLACES ±.01 ANGULAR ±2°	DRAWN BY & DATE <b>DU 9/26/19</b>		TITLE: <b>MICRO-D CONNECTOR ASSEMBLY, "BR" SERIES, BR15P02-24E5-18.0</b>			
		CHECKED BY & DATE <b>DW 9/26/19</b>		MATERIAL: 	ENG PROJECT #: <b>NONE</b>		
		APPROVED BY & DATE <b>DW 9/26/19</b>		PART NO. <b>834728242</b>	DRAWING NO. <b>SD-834728242</b>		
	ULTI-MATE CAGE CODE <b>58967</b>	CAD FILE NAME <b>SD-834728242.slddrw</b>		THIS DRAWING CONTAINS INFORMATION THAT IS PROPRIETARY TO ULTI-MATE INCORPORATED AND SHOULD NOT BE USED WITHOUT WRITTEN PERMISSION.			