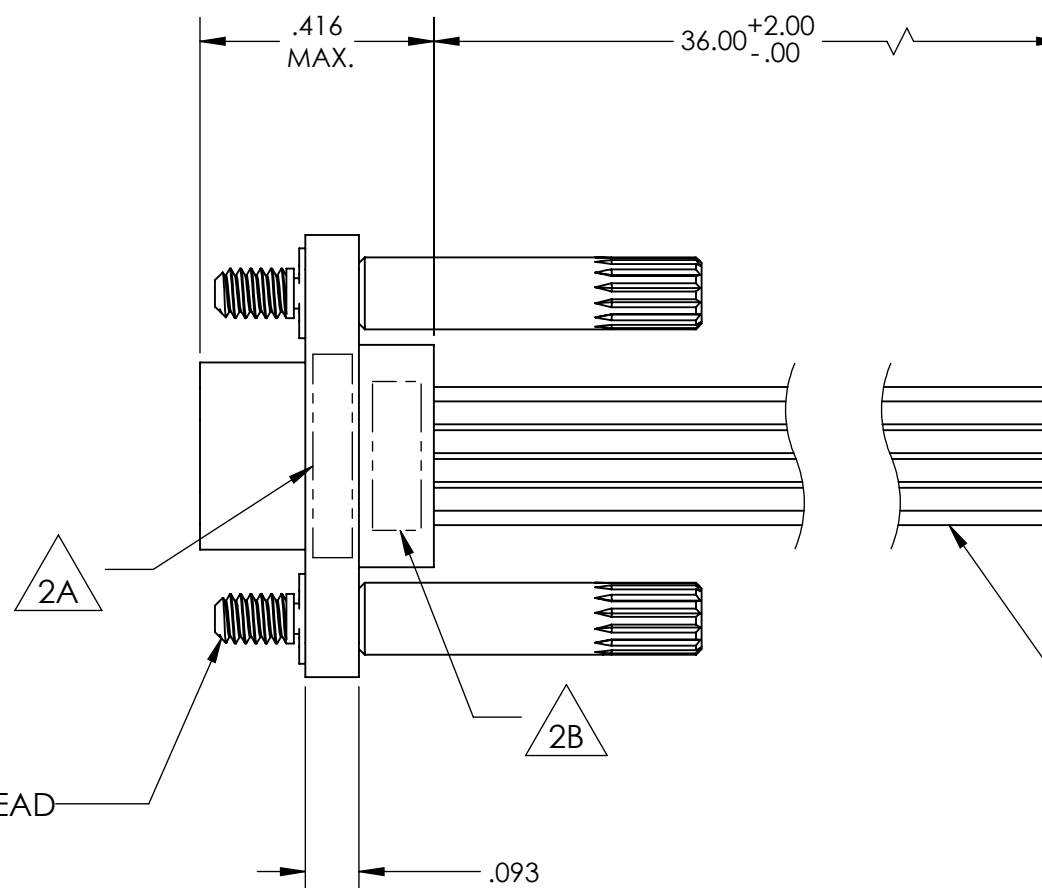
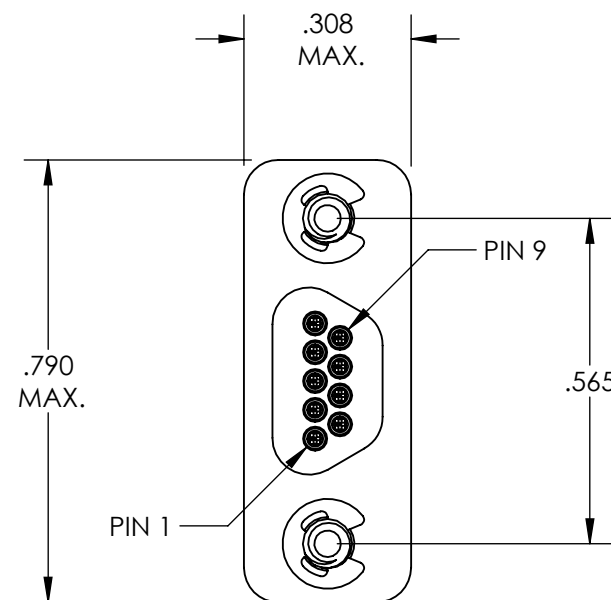
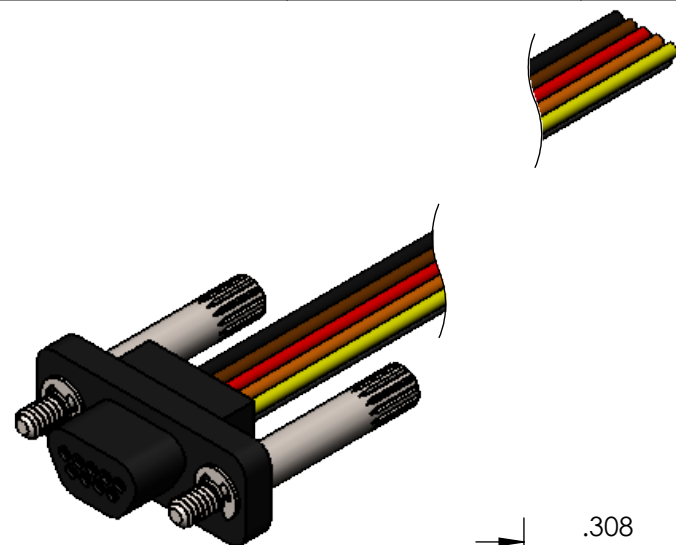


REVISIONS

PART REV.	DWG. ISSUE	DATE	ECN NO.	APPVD. BY	REL. BY
-	-	04/16/2018	UMI6738	DW	DW



**COLOR CODE**

1	BLK
2	BRN
3	RED
4	ORG
5	YEL
6	GRN
7	BLU
8	VIO
9	GRY

#2-56 JACKPOST  
HIGH PROFILE, ALLEN HEAD  
2 PLACES

26 AWG PER  
NEMA-HP3-EXBEB

4. PERFORMANCE SPECIFICATIONS:  
CURRENT RATING: 3 AMPS MAX.  
INSULATION RESISTANCE: 5000 MEGOHMS MIN.  
DWV: 600 VAC  
TEMPERATURE RATING: 125° C

3 MATERIALS:  
SHELL: PPS PER MIL-M-24519 GST-40F, COLOR: BLACK.  
PIN CONTACTS: C17200 BERYLLIUM COPPER PER ASTM B194,  
GOLD PLATED PER ASTM B488.  
WIRES: 26 AWG PER NEMA-HP3-EXBEB, COLOR CODE PER MIL-STD-681.  
HARDWARE: PASSIVATED STAINLESS STEEL IAW MIL-DTL-83513/5.

2. MARKINGS: 2A "UMI", UMI PART NUMBER.

2B DATE CODE, UMI WORK ORDER NUMBER.

1. CONNECTOR ASSEMBLY IS IAW MIL-DTL-83513 UNLESS OTHERWISE SPECIFIED.

NOTES: UNLESS OTHERWISE SPECIFIED

QUALITY SYMBOLS CRITICAL MAJOR NO SYMBOL = MINOR DIMENSION	<b>UNLESS SPECIFIED:</b> ALL DIMENSIONS IN INCHES GENERAL TOLERANCES: 3 PLACE ±.005 2 PLACE ±.01 ANGULAR ±2° ALL EXTERNAL SPECIFICATIONS REFERENCED ON THIS DRAWING SHALL BE THE LATEST REVISION IN EFFECT Ulti-Mate CAGE CODE <b>58967</b>	SCALE <b>3:1</b>	DWG SIZE <b>B</b>	THIRD ANGLE PROJECTION	<b>REVISE ON CAD ONLY</b>	
	DRAWN BY & DATE DR 04/16/2018	TITLE MICRO-D CONNECTOR ASSEMBLY, PLASTIC SHELL, HIGH PROFILE JACKPOST BR09P03-26E5-36.0		MATERIAL 3		ENG PROJECT #
	CHECKED BY & DATE DW 04/16/2018	APPROVED BY & DATE DW 04/16/2018		PART NO. 834718533	DRAWING NO. 834718533	SHEET NO. <b>1 OF 1</b>
	CAD FILENAME 834718533.slddrw	THIS DRAWING CONTAINS INFORMATION THAT IS PROPRIETARY TO ULTI-MATE INCORPORATED AND SHOULD NOT BE USED WITHOUT WRITTEN PERMISSION.		PART REV. -		