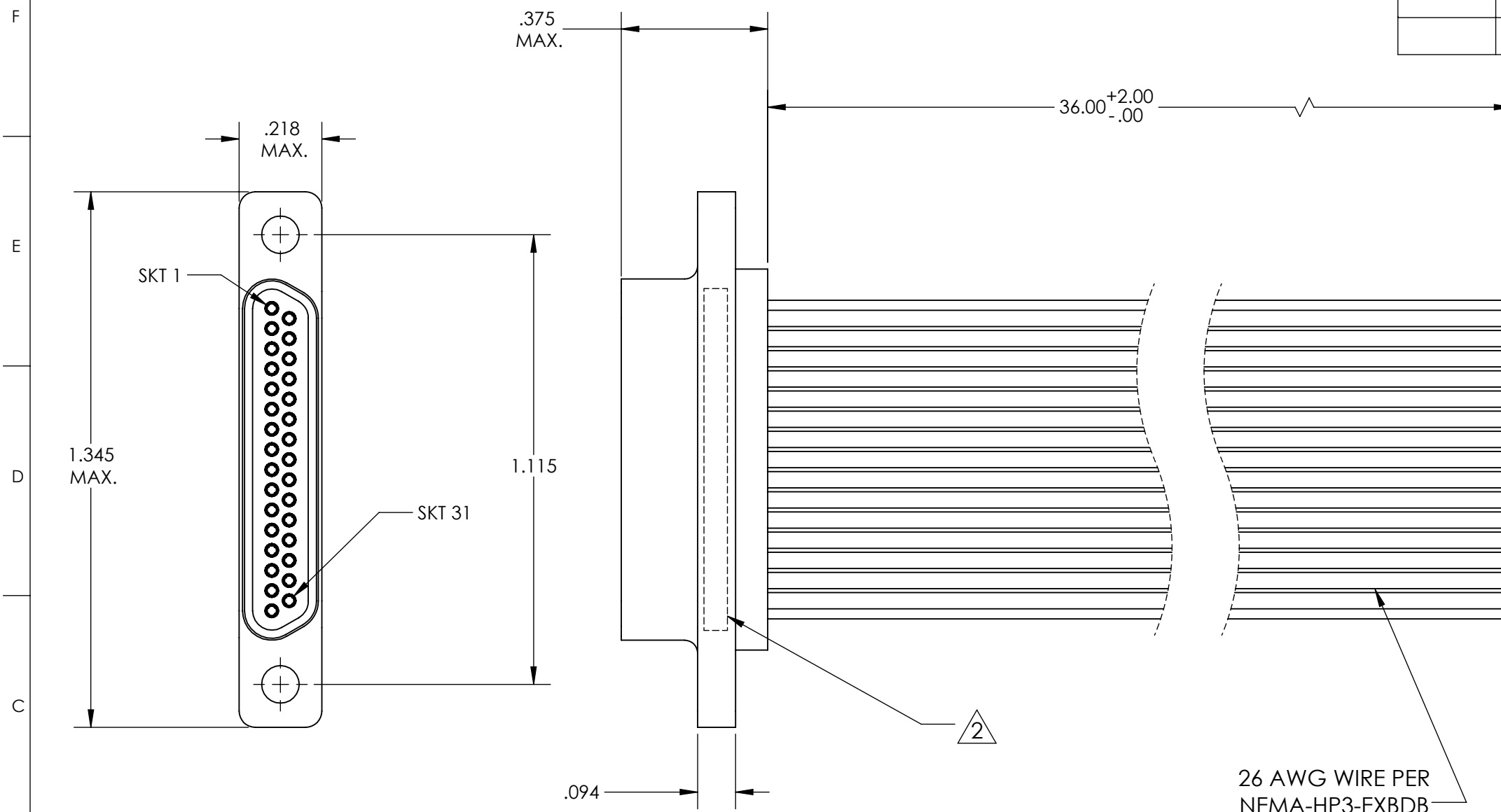


REVISIONS

PART REV.	DWG. ISSUE	DATE	ECN NO.	APPVD. BY	REL. BY
-	-	12/19/2017	UMI6594	DW	DW



COLOR CODE

1	BLK	17	W/BLU
2	BRN	18	W/VIO
3	RED	19	W/GRY
4	ORG	20	W/BLK/BRN
5	YEL	21	W/BLK/RED
6	GRN	22	W/BLK/ORG
7	BLU	23	W/BLK/YEL
8	VIO	24	W/BLK/GRN
9	GRY	25	W/BLK/BLU
10	WHT	26	W/BLK/VIO
11	W/BLK	27	W/BLK/GRY
12	W/BRN	28	W/BRN/RED
13	W/RED	29	W/BRN/ORG
14	W/ORG	30	W/BRN/YEL
15	W/YEL	31	W/BRN/GRN
16	W/GRN		

5. CONTACT HEIGHTS TO BE PER QA-STD-101.

4. PERFORMANCE SPECIFICATIONS:
 CURRENT RATING: 3A MAX.
 INSULATION RESISTANCE: 5000 MΩ MIN.
 DWV: 600 VAC
 TEMPERATURE RATING: 125°C

3 MATERIALS:
 INSULATOR: PPS PER MIL-M-24519 GST-40F, COLOR: BLK
 SOCKET CONTACTS: C21000 BRASS ALLOY PER ASTM B36, GOLD PLATED PER ASTM B488.
 WIRE: 26 AWG PER NEMA-HP3-EXBDB, COLOR CODE PER MIL-STD-681.

2 MARKINGS: UMI, UMI PART NO., DATE CODE, W/O NO..

1. CONNECTOR ASSEMBLY IS IAW MIL-DTL-83513 UNLESS OTHERWISE SPECIFIED

NOTES: UNLESS OTHERWISE SPECIFIED

QUALITY SYMBOLS CRITICAL MAJOR NO SYMBOL = MINOR DIMENSION	UNLESS SPECIFIED: ALL DIMENSIONS IN INCHES GENERAL TOLERANCES: 3 PLACE ±.005 2 PLACE ±.01 ANGULAR ±2°	SCALE 3:1	DWG SIZE B	THIRD ANGLE PROJECTION	REVISE ON CAD ONLY	
	ALL EXTERNAL SPECIFICATIONS REFERENCED ON THIS DRAWING SHALL BE THE LATEST REVISION IN EFFECT	DRAWN BY & DATE DR 12/19/2017	TITLE MICRO-D CONNECTOR ASSEMBLY PR31S0-26E5-36.0			
	Uti-Mate CAGE CODE 58967	CHECKED BY & DATE DW 12/19/2017	MATERIAL 3	ENG PROJECT #		
		APPROVED BY & DATE DW 12/19/2017	CAD FILENAME SD-834658530.SLDDRW	PART NO. 834658530	DRAWING NO. SD-834658530	SHEET NO. 1 OF 1
		THIS DRAWING CONTAINS INFORMATION THAT IS PROPRIETARY TO ULTI-MATE INCORPORATED AND SHOULD NOT BE USED WITHOUT WRITTEN PERMISSION.				
		PART REV. -				