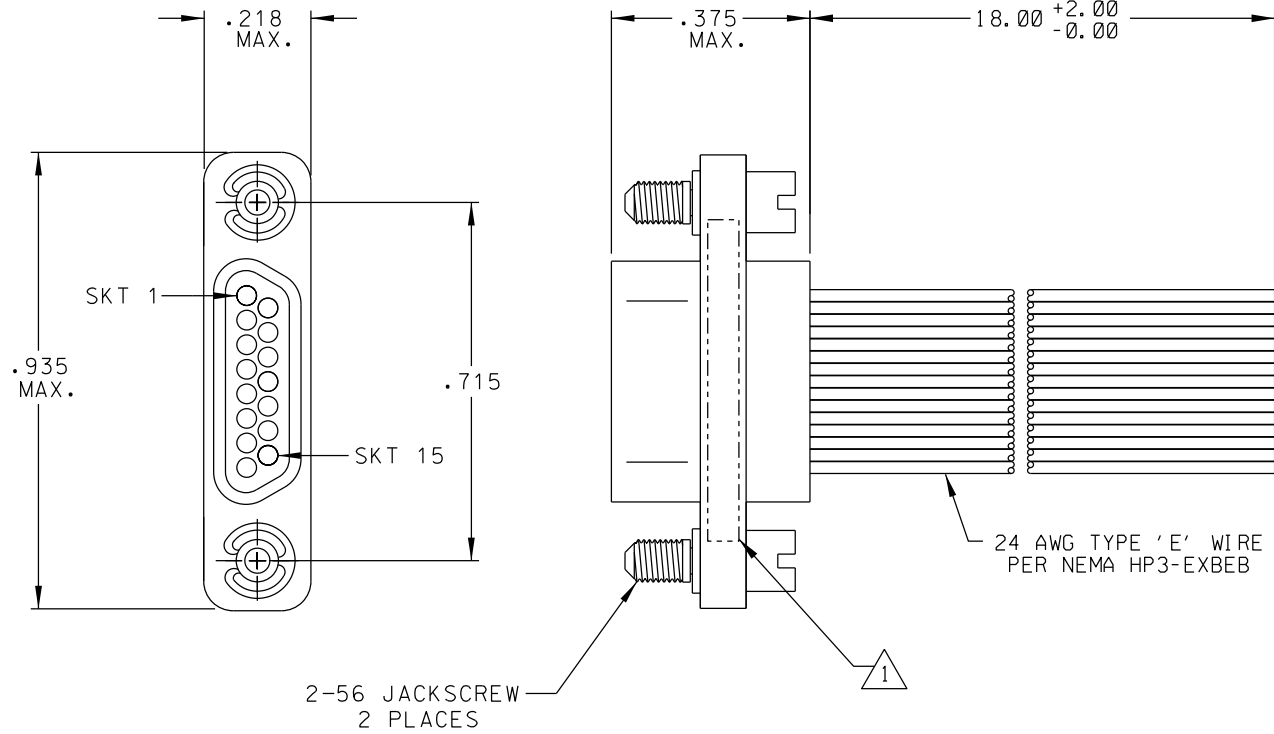


PART REV	DWG ISSUE	DATE	ECN NO.	APPVD BY	REL BY
A	A	18JAN00	UM2000-0404	DW	DW
A	B	5-19-14	UM15319	DW	DW



1	BLK
2	BRN
3	RED
4	ORG
5	YEL
6	GRN
7	BLU
8	VIO
9	GRY
10	WHT
11	W/BLK
12	W/BRN
13	W/RED
14	W/ORG
15	W/YEL

3. PERFORMANCE SPECIFICATIONS:  
 CURRENT RATING: 3 AMPS MAX  
 INSULATION RESISTANCE: 5000 MEGOHMS MIN.  
 DWV: 600 VAC  
 TEMPERATURE RATING: 125° C

2 MATERIALS:  
 BODY/INSULATOR: PPS PER MIL-M-24519 GST-40F, COLOR: BLK  
 SOCKET CONTACT: C21000 COPPER ALLOY PER ASTM B36,  
 GOLD PLATED PER ASTM B488  
 HARDWARE: PASSIVATED STAINLESS STEEL IAW MIL-DTL-83513/5.

1 MARKING: UMI, DATE CODE, UMI P/N.

NOTES: UNLESS OTHERWISE SPECIFIED.

QUALITY SYMBOLS	UNLESS SPECIFIED: ALL DIMENSIONS IN INCHES	SCALE 4 : 1	DWG SIZE B	THIRD ANGLE PROJECTION	REVISE ON CAD ONLY
CRITICAL	GENERAL TOLERANCES: 3 PLACE ± .005 2 PLACE ± .01 ANGULAR ± 2°	DRAWN BY & DATE D.URBACH 18JAN00	CHECKED BY & DATE SEE ECN	TITLE: MICRO-D RECEPTACLE, SIZE 15, PLASTIC, W/RED, PRI 5S05-24E5-18.0	
SPECIAL	ALL EXTERNAL SPECIFICATIONS REFERENCED ON THIS DRAWING SHALL BE TO THE LATEST REVISION IN EFFECT	APPROVED BY & DATE SEE ECN	CAD FILENAME SD-834628245.DGN	MATERIAL: 2	Uti-Mate Connector Inc.
KEY	Uti-Mate CAGE CODE 58967	PART NO. 834628245	DRAWING NO. SD-834628245	SHEET NO. 1 OF 1	PART REV A
	THIS DRAWING CONTAINS INFORMATION THAT IS PROPRIETARY TO ULTI-MATE INCORPORATED AND SHOULD NOT BE USED WITHOUT WRITTEN PERMISSION.				