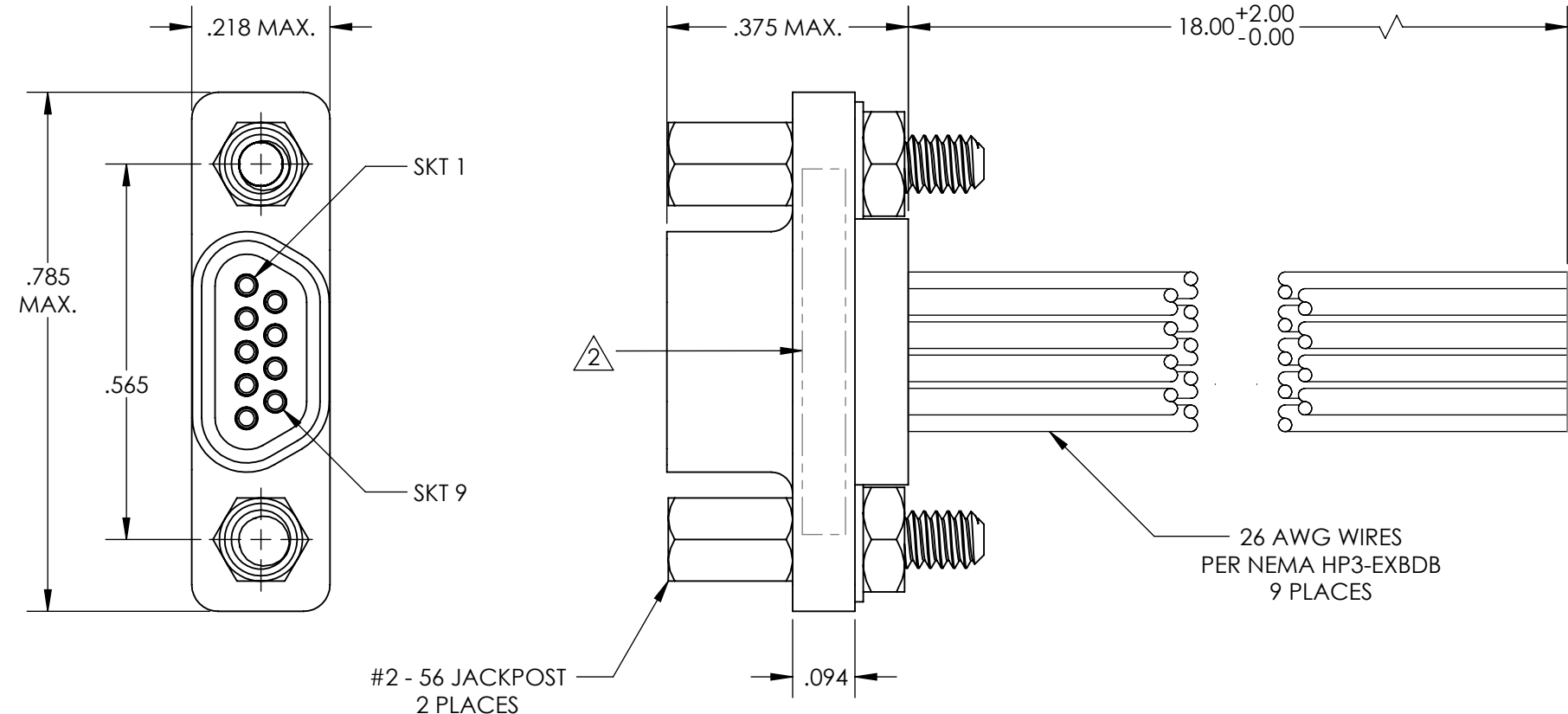


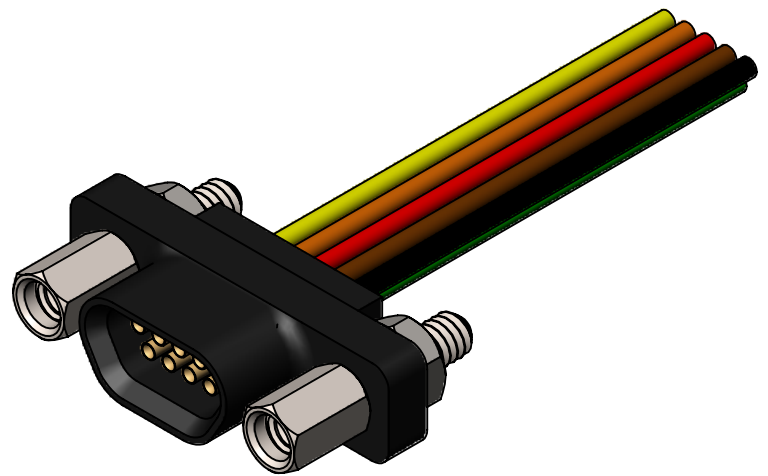
REVISIONS

PART REV.	DWG. ISSUE	DATE	ECN NO.	APPVD. BY	REL. BY
A	A	09/16/1998	UM9-0112	FVW	FVW
A	B	04/25/2016	UMI5954	DW	DW



COLOR CODE

1	BLK
2	BRN
3	RED
4	ORG
5	YEL
6	GRN
7	BLU
8	VIO
9	GRY



4. PERFORMANCE SPECIFICATIONS: (AT AMBIENT TEMPERATURE)  
 CURRENT RATING: 3A MAX.  
 INSULATION RESISTANCE: 5000 MΩ MIN.  
 DWV: 600 VAC  
 TEMPERATURE RATING: 125 °C

3 MATERIALS:  
 INSULATOR: PPS PER MIL-M-24519 GST-40F, COLOR: BLK  
 SOCKET CONTACTS: C21000 BRASS ALLOY PER ASTM B36, GOLD PLATED PER ASTM B488  
 HARDWARE: PASSIVATED STAINLESS STEEL IAW MIL-DTL-83513/5

2 MARKINGS: UMI, UMI PART NO., AND DATE CODE  
 1. CONNECTOR ASSEMBLY IS IAW MIL-DTL-83513 UNLESS OTHERWISE SPECIFIED

NOTES: UNLESS OTHERWISE SPECIFIED

QUALITY SYMBOLS CRITICAL  MAJOR  NO SYMBOL = MINOR DIMENSION	<b>UNLESS SPECIFIED:</b> ALL DIMENSIONS IN INCHES GENERAL TOLERANCES: 3 PLACE ±.005 2 PLACE ±.01 ANGULAR ±2° ALL EXTERNAL SPECIFICATIONS REFERENCED ON THIS DRAWING SHALL BE THE LATEST REVISION IN EFFECT UMI-Mate CAGE CODE <b>58967</b>	SCALE 4:1 DWG SIZE B DRAWN BY & DATE DU 09/16/1998 CHECKED BY & DATE FVW 09/16/1998 APPROVED BY & DATE FVW 09/16/1998 CAD FILENAME SD-834618077.slddrw	 THIRD ANGLE PROJECTION <b>REVISE ON CAD ONLY</b> TITLE MICRO-D WIRED CONNECTOR, RECEPTACLE (SOCKETS), 9 POSITION, LOW PROFILE PR09S07-26E5-18.0 MATERIAL ENG PROJECT # 	SHEET NO. 1 OF 1 PART REV. A	
	THIS DRAWING CONTAINS INFORMATION THAT IS PROPRIETARY TO ULTI-MATE INCORPORATED AND SHOULD NOT BE USED WITHOUT WRITTEN PERMISSION.	DRAWING NO. SD-834618077	PART NO. 834618077	DRAWING NO. SD-834618077	SHEET NO. 1 OF 1 PART REV. A
	UMI-Mate CAGE CODE 58967	DRAWING NO. SD-834618077	PART NO. 834618077	DRAWING NO. SD-834618077	SHEET NO. 1 OF 1 PART REV. A
	UMI-Mate CAGE CODE 58967	DRAWING NO. SD-834618077	PART NO. 834618077	DRAWING NO. SD-834618077	SHEET NO. 1 OF 1 PART REV. A