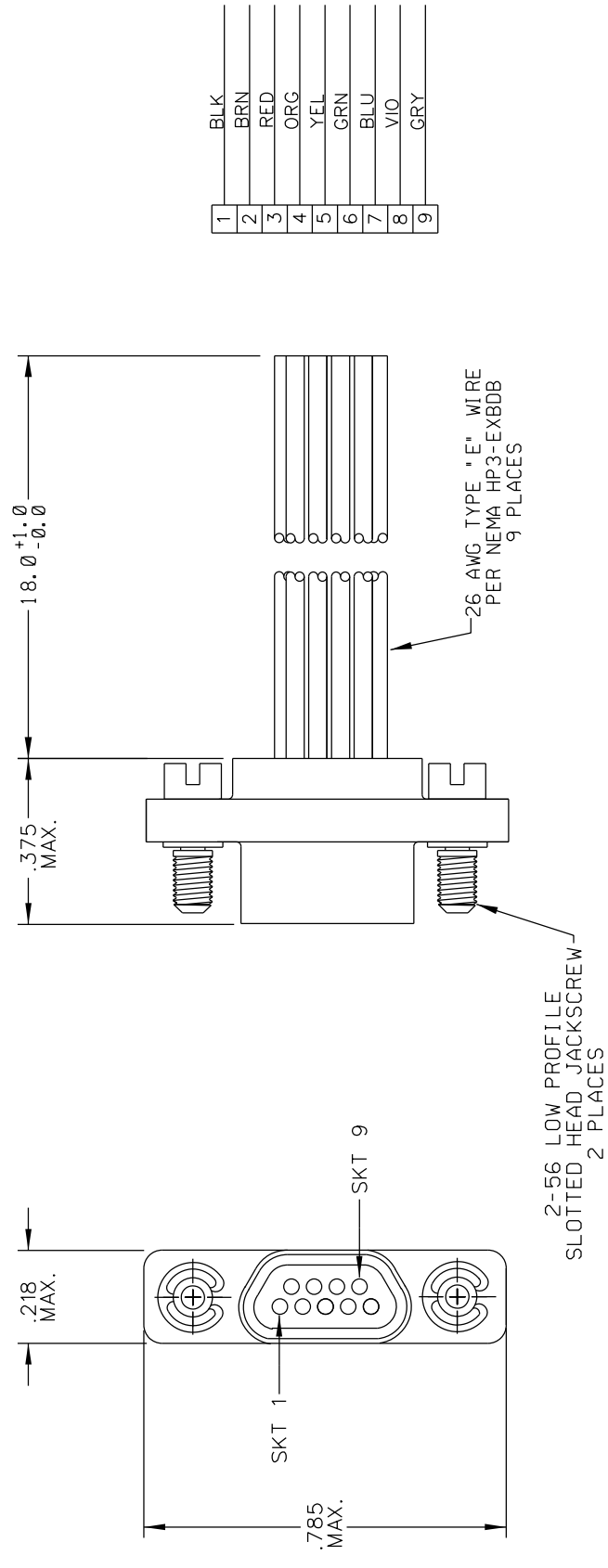


PART / DWG REV / ISSUE	DATE	ECN NO.	APPVD BY	REL BY
- / -	1-14-11	UMI 4283	DW	DW



QUALITY SYMBOLS	UNLESS SPECIFIED: ALL DIMENSIONS IN INCHES	SCALE	DWG SIZE	THIRD ANGLE PROJECTION	REVISE ON CAD ONLY
MAJOR	GENERAL TOLERANCES:	NONE	B		
▲ =	3 PLACE ± .005	DRAWN BY & DATE			
△ =	2 PLACE ± .01	DW 11-9-10			
▽ =	ANGULAR ± 2°	CHECKED BY & DATE			
SPC	UMI-Mate CASE CODE	SEE ECN			
△ =	58967	SEE ECN			
		CAD FILENAME			
		E-834618075.DGN			
		PART NO.			
		834618075			
		DRAWING NO.			
		SD-834618075			
		SHEET NO.			
		1 OF 1			
		REV			
		-			

3. PERFORMANCE SPECIFICATIONS IAW MIL-DTL-8351 3.

- 2
- MATERIALS:
 BODY/INSULATOR: PPS PER MIL-M-24519 GST-40F
 SOCKET CONTACT: COPPER ALLOY CDA 210, 1/2 HARD, GOLD PLATED PER ASTM B488-01
 HARDWARE: 300 SERIES STAINLESS STEEL, PASSIVATED PER AMS-2700
1. MARKING: UMI, DATE CODE, UMI P/N.

NOTES: UNLESS OTHERWISE SPECIFIED.