

REVISIONS

| PART REV. | DWG. ISSUE | DATE       | ECN NO. | APPVD. BY | REL. BY |
|-----------|------------|------------|---------|-----------|---------|
| -         | -          | 12/19/2017 | UMI6594 | DW        | DW      |

F

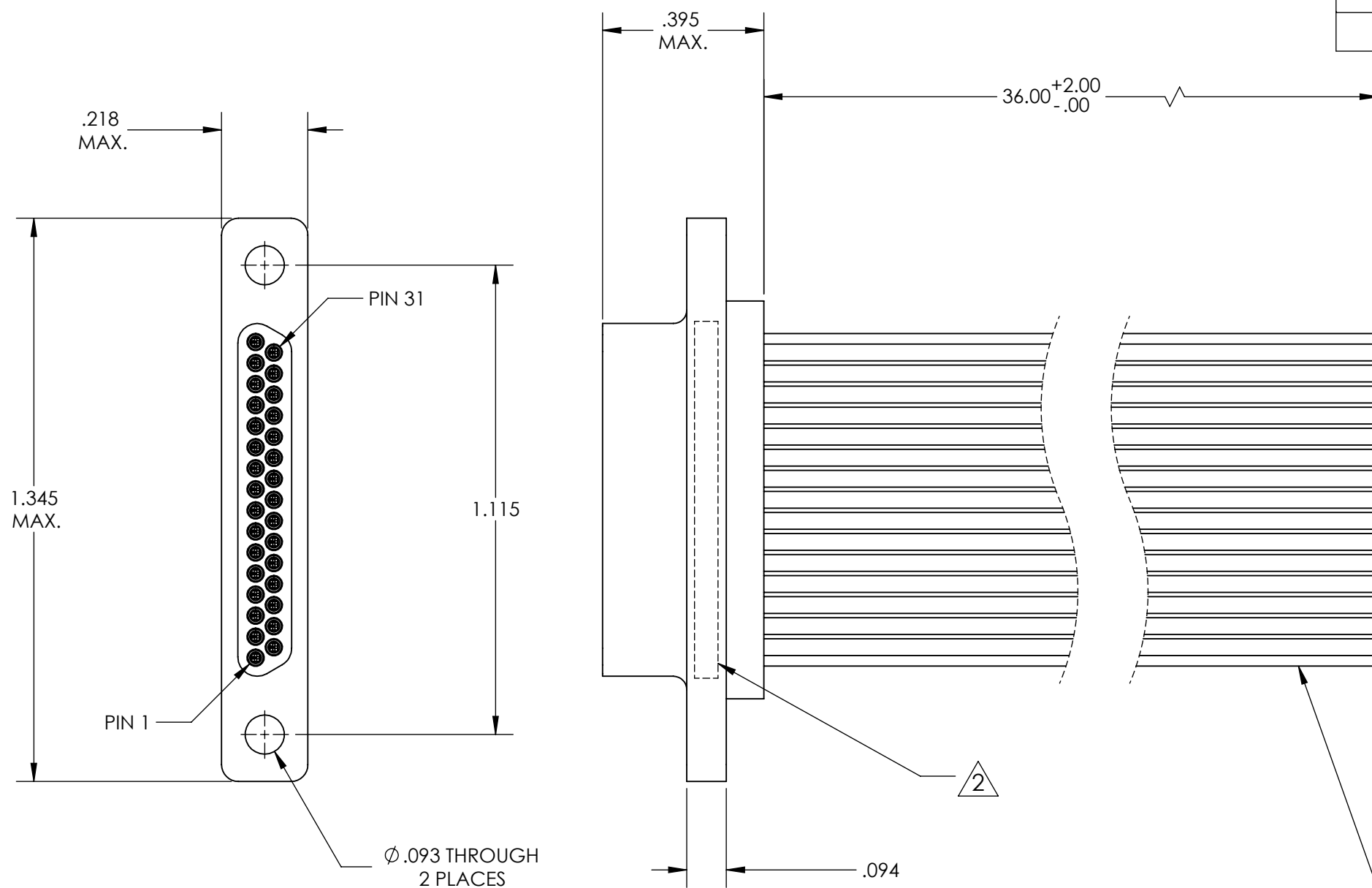
E

D

C

B

A



COLOR CODE

|    |       |    |           |
|----|-------|----|-----------|
| 1  | BLK   | 17 | W/BLU     |
| 2  | BRN   | 18 | W/VIO     |
| 3  | RED   | 19 | W/GRY     |
| 4  | ORG   | 20 | W/BLK/BRN |
| 5  | YEL   | 21 | W/BLK/RED |
| 6  | GRN   | 22 | W/BLK/ORG |
| 7  | BLU   | 23 | W/BLK/YEL |
| 8  | VIO   | 24 | W/BLK/GRN |
| 9  | GRY   | 25 | W/BLK/BLU |
| 10 | WHT   | 26 | W/BLK/VIO |
| 11 | W/BLK | 27 | W/BLK/GRY |
| 12 | W/BRN | 28 | W/BRN/RED |
| 13 | W/RED | 29 | W/BRN/ORG |
| 14 | W/ORG | 30 | W/BRN/YEL |
| 15 | W/YEL | 31 | W/BRN/GRN |
| 16 | W/GRN |    |           |

26 AWG WIRE PER NEMA-HP3-EXBDB

5. CONTACT HEIGHTS TO BE PER QA-STD-101.

4. PERFORMANCE SPECIFICATIONS:  
CURRENT RATING: 3A MAX.  
INSULATION RESISTANCE: 5000 MΩ MIN.  
DWV: 600 VAC  
TEMPERATURE RATING: 125 °C

3 MATERIALS:  
INSULATOR: PPS PER MIL-M-24519 GST-40F, COLOR: BLK  
PIN CONTACTS: C17200 BERYLLIUM COPPER PER ASTM B194,  
GOLD PLATED PER ASTM B488.  
WIRE: 26 AWG PER NEMA-HP3-EXBDB, COLOR CODE PER MIL-STD-681.

2 MARKINGS: UMI, UMI PART NO., DATE CODE, W/O NO..

1. CONNECTOR ASSEMBLY IS IAW MIL-DTL-83513 UNLESS OTHERWISE SPECIFIED

NOTES: UNLESS OTHERWISE SPECIFIED

|   |   |  |   |                             |                            |                |
|---|---|--|---|-----------------------------|----------------------------|----------------|
| QUALITY SYMBOLS<br>CRITICAL<br><br>MAJOR<br><br>NO SYMBOL = MINOR DIMENSION | <b>UNLESS SPECIFIED:</b><br>ALL DIMENSIONS IN INCHES<br>GENERAL TOLERANCES:<br>3 PLACE ±.005<br>2 PLACE ±.01<br>ANGULAR ±2°         | SCALE<br><b>3:1</b><br>DWG SIZE<br><b>B</b>  | <br>THIRD ANGLE PROJECTION                              | <b>REVISE ON CAD ONLY</b>   |                            |                |
|   | ALL EXTERNAL SPECIFICATIONS REFERENCED ON THIS DRAWING SHALL BE THE LATEST REVISION IN EFFECT<br>Uti-Mate CAGE CODE<br><b>58967</b> | DRAWN BY & DATE<br>DR 12/19/2017<br>CHECKED BY & DATE<br>DW 12/19/2017<br>APPROVED BY & DATE<br>DW 12/19/2017                      | TITLE<br>MICRO-D CONNECTOR ASSEMBLY<br>PR31P0-26E5-36.0 | MATERIAL<br>                | ENG PROJECT #              |                |
|   |   | CAD FILENAME<br>SD-834558530.SLDDRW  | PART NO.<br>834558530                                   | DRAWING NO.<br>SD-834558530 | SHEET NO.<br><b>1 OF 1</b> |                |
|   |   | THIS DRAWING CONTAINS INFORMATION THAT IS PROPRIETARY TO ULTI-MATE INCORPORATED AND SHOULD NOT BE USED WITHOUT WRITTEN PERMISSION. |   |                             |                            | PART REV.<br>- |