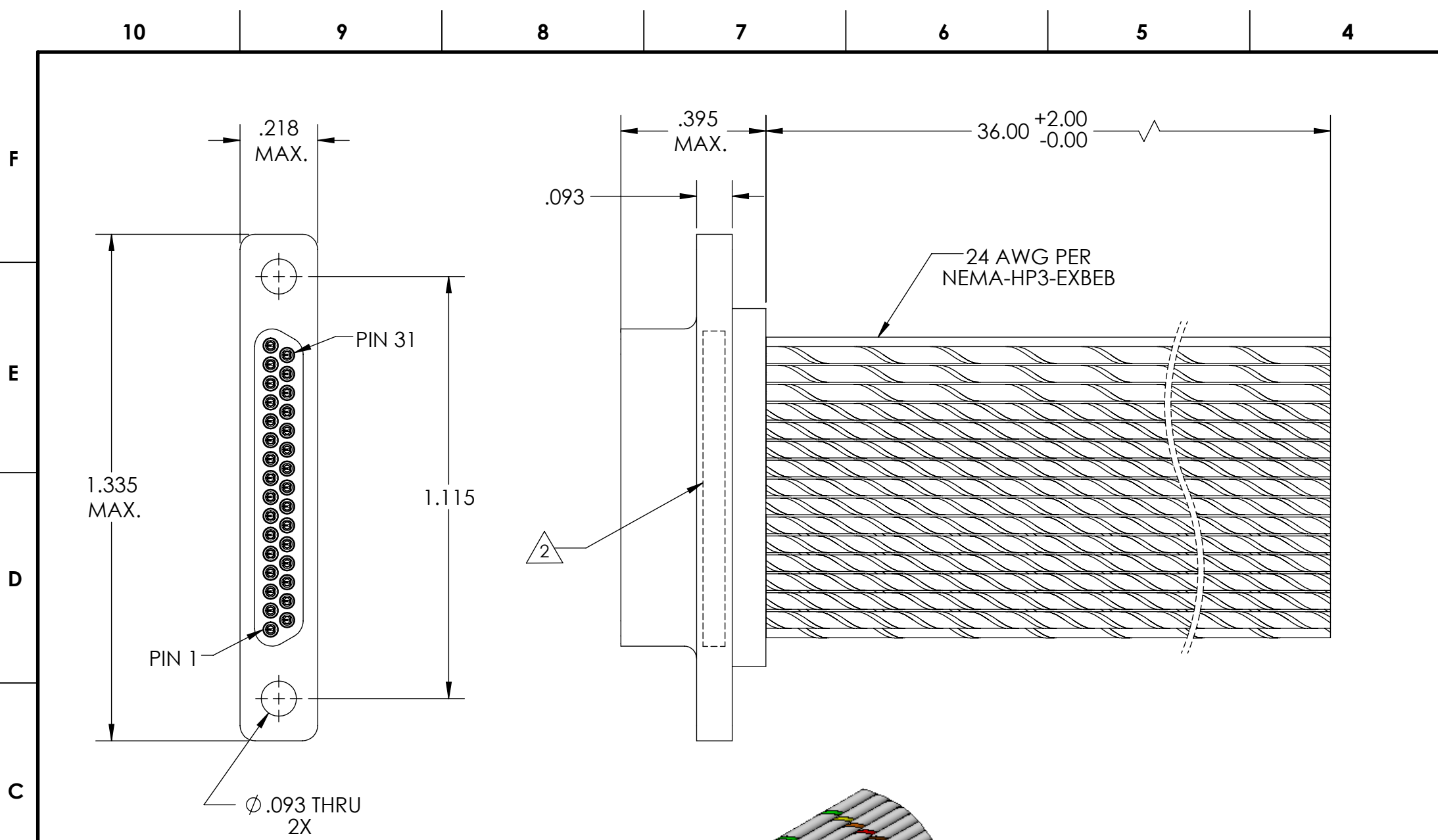
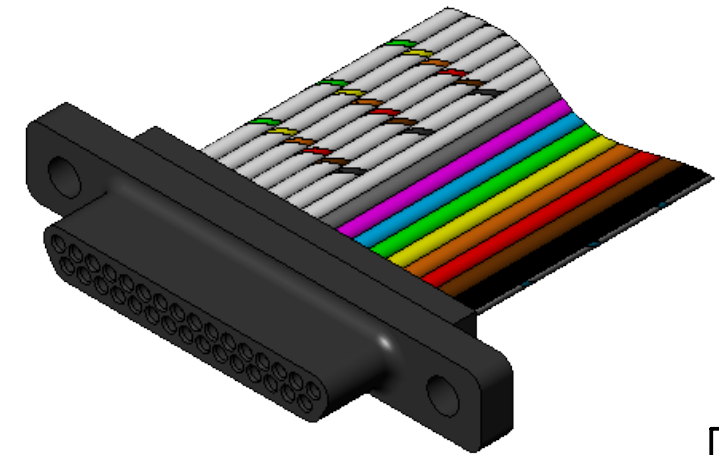


PART REV	DWG ISSUE	DATE	ECN NO.	APPVD BY	REL BY
-	-	12/8/17	UMI6580	DW	DW



1	BLK	16	W/GRN
2	BRN	17	W/BLU
3	RED	18	W/VIO
4	ORG	19	W/GRY
5	YEL	20	W/BLK/BRN
6	GRN	21	W/BLK/RED
7	BLU	22	W/BLK/ORG
8	VIO	23	W/BLK/YEL
9	GRY	24	W/BLK/GRN
10	WHT	25	W/BLK/BLU
11	W/BLK	26	W/BLK/VIO
12	W/BRN	27	W/BLK/GRY
13	W/RED	28	W/BRN/RED
14	W/ORG	29	W/BRN/ORG
15	W/YEL	30	W/BRN/YEL
		31	W/BRN/GRN



- 5. CONTACT HEIGHTS TO BE PER QA-STD-101.
- 4. PERFORMANCE SPECIFICATIONS:
CURRENT RATING: 3 AMPS MAX.
INSULATION RESISTANCE: 5000 MEGOHMS MIN.
DWV: 600 VAC
TEMPERATURE RATING: 125° C

3 MATERIALS:
SHELL: PPS PER MIL-M-24519 GST-40F, COLOR: BLACK
PIN CONTACTS: C17200 BERYLLIUM COPPER PER ASTM B194, GOLD PLATED PER ASTM B488
WIRE: 24 AWG PER NEMA-HP3-EXBEB, COLOR CODE PER MIL-STD-681

2 MARKING: "UMI", DATE CODE, UMI PART NUMBER, UMI WORK ORDER NUMBER

1. CONNECTOR ASSEMBLY IS IAW MIL-DTL-83513 UNLESS OTHERWISE SPECIFIED.

NOTES: UNLESS OTHERWISE SPECIFIED.

QUALITY SYMBOLS CRITICAL C MAJOR NO SYMBOLS = MINOR DIMENSIONS	UNLESS OTHERWISE SPECIFIED: ALL DIMENSIONS ARE IN INCHES	SCALE 3:1	DWG SIZE B	THIRD ANGLE PROJECTION	REVISE ON CAD ONLY	
	GENERAL TOLERANCES: 3 PLACES ±.005 2 PLACES ±.01 ANGULAR ±2°	DRAWN BY & DATE DU 12/8/17		TITLE: MICRO-D CONNECTOR ASSEMBLY, PR31P0-24E5-36.0		
	ULTI-MATE CAGE CODE 58967	CHECKED BY & DATE DW 12/8/17		MATERIAL: 3	ENG PROJECT #: NONE	
		APPROVED BY & DATE DW 12/8/17		PART NO. 834558490	DRAWING NO. SD-834558490	
		CAD FILE NAME SD-834558490.SLDDRW		THIS DRAWING CONTAINS INFORMATION THAT IS PROPRIETARY TO ULTI-MATE INCORPORATED AND SHOULD NOT BE USED WITHOUT WRITTEN PERMISSION.		