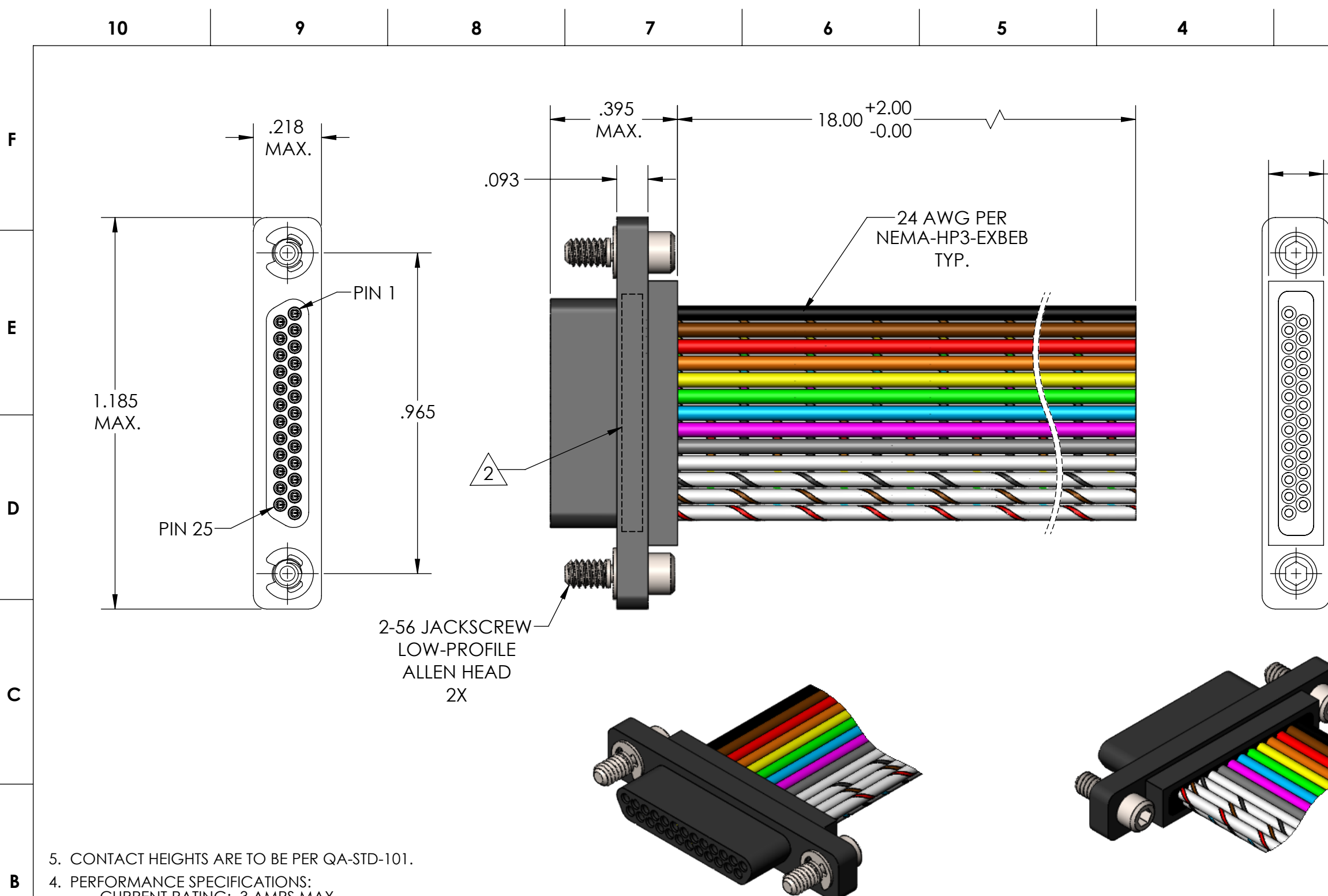


PART REV	DWG ISSUE	DATE	ECN NO.	APPVD BY	REL BY
-	-	09/26/19	UMI7282	DU	DW
-	A	01/06/20	UMI7352	FA	DW



1	BLK
2	BRN
3	RED
4	ORG
5	YEL
6	GRN
7	BLU
8	VIO
9	GRY
10	WHT
11	W/BLK
12	W/BRN
13	W/RED
14	W/ORG
15	W/YEL
16	W/GRN
17	W/BLU
18	W/VIO
19	W/GY
20	W/BLK/BRN
21	W/BLK/RED
22	W/BLK/ORG
23	W/BLK/YEL
24	W/BLK/GRN
25	W/BLK/BLU

5. CONTACT HEIGHTS ARE TO BE PER QA-STD-101.
 4. PERFORMANCE SPECIFICATIONS:
 CURRENT RATING: 3 AMPS MAX.
 INSULATION RESISTANCE: 5000 MEGOHMS MIN.
 DWV: 600 VAC
 TEMPERATURE RATING: -55°C TO 125°C

3 MATERIALS:
 SHELL: PPS PER MIL-M-24519 GST-40F, COLOR: BLACK
 PIN CONTACTS: C17200 BERYLLIUM COPPER PER ASTM B194, GOLD PLATED PER ASTM B488
 WIRE: 24 AWG PER NEMA-HP3-EXBEB, COLOR CODE: PER MIL-STD-681
 HARDWARE: PASSIVATED STAINLESS STEEL IAW MIL-DTL-83513/5

2 MARKING: "UMI", DATE CODE, UMI PART NUMBER, UMI WORK ORDER NUMBER
 NOTE: MARKING LOCATIONS ARE SHOWN FOR REFERENCE ONLY.
 ACTUAL LOCATIONS AND INFORMATION MAY VARY.

1. CONNECTOR ASSEMBLY IS IAW MIL-DTL-83513 UNLESS OTHERWISE SPECIFIED.

NOTES: UNLESS OTHERWISE SPECIFIED.

QUALITY SYMBOLS CRITICAL MAJOR NO SYMBOLS = MINOR DIMENSIONS	UNLESS OTHERWISE SPECIFIED: ALL DIMENSIONS ARE IN INCHES	SCALE 3:1	DWG SIZE B	THIRD ANGLE PROJECTION	REVISE ON CAD ONLY		
	GENERAL TOLERANCES: 3 PLACES ±.005 2 PLACES ±.01 ANGULAR ±2° ULTI-MATE CAGE CODE 58967	DRAWN BY & DATE DU 9/26/19		TITLE: MICRO-D CONNECTOR ASSEMBLY, "PR" SERIES, PR25P02-24E5-18.0			
		CHECKED BY & DATE DW 9/26/19		MATERIAL: 3	ENG PROJECT #: NONE		
		APPROVED BY & DATE DW 9/26/19		PART NO. 834548242	DRAWING NO. SD-834548242	SHEET NO. 1 of 1	
CAD FILE NAME SD-834548242.sliddrw		THIS DRAWING CONTAINS INFORMATION THAT IS PROPRIETARY TO ULTI-MATE INCORPORATED AND SHOULD NOT BE USED WITHOUT WRITTEN PERMISSION.					